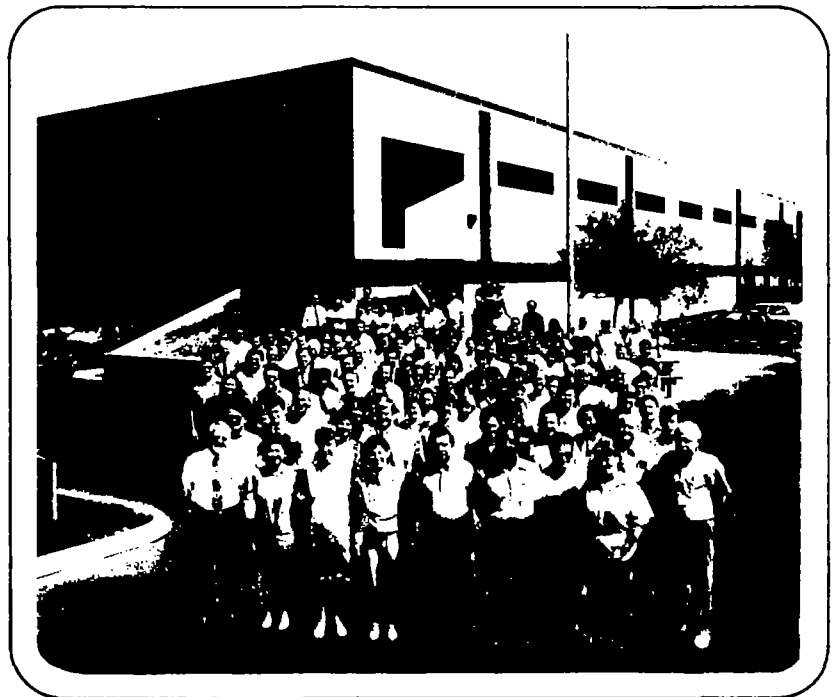


COHU, INC. ELECTRONICS DIVISION

Telephone: (619) 277-6700

FAX: (619) 277-0221



Corporate/Division Headquarters and Manufacturing Facility
5755 Kearny Villa Road, San Diego, California 92123
Mailing Address: P.O. Box 85623, San Diego, CA 92186-5623

A leading U.S. manufacturer of quality television products, Cohu, Inc., Electronics Division, is the oldest continuing manufacturer of closed circuit television cameras and systems in the world. We represent a single source for diverse CCTV products for the sciences, industry, and government. Applications include surveillance and security systems, high resolution cameras, miniature cameras, general purpose, environmental, low light level, machine vision, and many more.

This catalog represents our current line of CCTV cameras and equipment. Our unique model numbering system allows for specific cameras to be designated with a variety of options included. You will find this system explained under the ordering information for each camera series. If, however, you do not find a camera listed that describes your specific needs, you are encouraged to contact the factory and discuss your needs with one of our applications

engineers. What you desire may already be available, or it may be possible to custom design a camera to fulfill your requirements.

Cohu is dedicated to satisfying our customer needs by bringing to the market high performance quality products which incorporate the very latest in technology and features—designed to provide years of satisfying service.



COHU
INC
ELECTRONICS DIVISION

The **Great American Name** in CCTV Advancements

85-06 (7/90) July 1990 Printed in U.S.A

Thank you . . .

for your interest in Cohu video cameras and camera systems.

The enclosed literature will help you identify the exact Cohu camera or system for your requirement.

Should you need additional information, or if you wish to notify us of a change of address, please use the attached postage-paid reply card, or call us at (619) 277-6700.

We look forward to supporting you on your current project and with all your CCTV camera and system requirements.

Thank you,

Cohu, Inc., Electronics Division

COHU

Cohu, Inc., Electronics Division
5755 Kearny Villa Road • San Diego, California 92123
Telephone (619) 277-6700 • FAX: (619) 277-0221

Name _____

Title _____

Company _____

Address _____

City _____ State _____ Zip _____

Telephone (_____) _____

Please change my address as noted above.

I need additional information. My area of interest is: _____

Please have a sales representative contact me.

Comments: _____

WARRANTY

Cohu, Inc., Electronics Division warrants equipment manufactured to be free from defects of material and workmanship. Any part or parts will be repaired or replaced when proven by Cohu examination to have been defective within two years from date of shipment to the original purchaser for standard CCD cameras and one year from date of shipment to the original purchaser for intensified CCD cameras and all other Cohu manufactured products. All warranty repairs will be performed at the factory or as otherwise authorized by Cohu in writing. Transportation charges to Cohu shall be prepaid by purchaser. This warranty does not extend to Cohu equipment subjected to misuse, accident, neglect, or improper application, nor repaired or altered by other than Cohu or those authorized by Cohu in writing.

Television image pickup tubes, image intensifiers, lenses and products manufactured by companies other than Cohu are warranted by the original manufacturer. *This warranty is in lieu of all other warranties express or implied. Cohu shall not be liable for any collateral or consequential damages. A Return Authorization Number (R.A.#) must be obtained from Cohu prior to returning any item for warranty repair or replacement.*

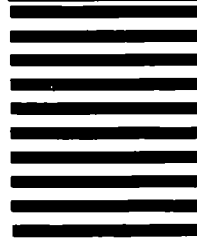


BUSINESS REPLY MAIL

FIRST CLASS PERMIT NO. 3520 SAN DIEGO, CALIFORNIA

Postage Will Be Paid By Addressee

No Postage
Necessary
If Mailed
In The
United States



**COHU INC ELECTRONICS DIVISION
PO BOX 85623
SAN DIEGO CA 92186-9781**



There is a CoHU Representative Near You

**ALABAMA, FLORIDA, GEORGIA,
MISSISSIPPI, N CAROLINA,
S CAROLINA, TENNESSEE**
COHU - SOUTHEAST
Loren Whitley
880 Monarch Drive
Kershaw, SC 29067
Phone: (803) 475-4272
FAX: (803) 475-4274

**ALASKA, HAWAII, IDAHO,
UTAH, WASHINGTON**
SCIENTIFIC SYSTEMS, INC.
Richard Eberle
P. O. Box 2636
Redmond, WA 98073-2636
Phone: (206) 868-4464
FAX: (206) 868-4468

**ARIZONA, NEVADA/CLARK CO &
SOUTH**
PERSPECTIVE
MEASUREMENTS
Kevin Conboy
2501 N. Green Valley Pkwy #124
Henderson, NV 89014
Phone: (702) 456-5594
FAX: (702) 456-2199

**CALIFORNIA/NORTHERN,
NEVADA/NORTH**
COHU - N. CALIFORNIA
Gary Kuntz
401 Pennington Place
Danville, CA 94526
Phone: (510) 743-1456
FAX: (510) 743-0463

**CALIFORNIA/CENTRAL,
NORTH L.A. COUNTY**
PERSPECTIVE
MEASUREMENTS
Lee Sherman
525 West Allen Avenue, Unit 10
San Dimas, CA 91773
Phone: (909) 592-3851
FAX: (909) 592-3078

**CALIFORNIA/SOUTH L.A. AND
ORANGE COUNTIES**
PERSPECTIVE
MEASUREMENTS
Jerry Parish
3711 N Harbor Dr. Ste. K
Fullerton, CA 92635
Phone: (714) 525-3553
FAX: (714) 525-0703

**CALIFORNIA/ SAN DIEGO
AND IMPERIAL COUNTIES**
PERSPECTIVE
MEASUREMENTS
Dick Sjoberg
1343 Stratford Court
Del Mar, CA 92014
Phone: (619) 458-1102 or
259-8000
FAX: (619) 259-0257

**COLORADO, MONTANA, NEW
MEXICO, TEXAS (EL PASO),
WYOMING**
SCIENTIFIC SYSTEMS, INC.
Bill Leahy
6003 Osuna Road NE
Albuquerque, NM 87109
Phone: (505) 883-4998
FAX: (505) 883-5250

**KENTUCKY, OHIO, S. INDIANA,
W VIRGINIA, W. PENNSYLVANIA**
TV Plus
Roy H. Williams
1445 Jamike Dr. Suite 2
Erlanger, KY
Phone: (606) 282-9995
Fax: (606) 282-8225

**IOWA, KANSAS, MINNESOTA
MISSOURI, N DAKOTA,
NEBRASKA, S DAKOTA**
RUYLE & ASSOCIATES
Bob Ruyle
420 Steinway Road
Lincoln, NE 68505
Phone/FAX: (402) 488-8926

**ILLINOIS, N INDIANA, MICHIGAN,
WISCONSIN**
COHU - MIDWEST
William H. Ritchie
400 Ashland Avenue
River Forest, IL 60305
Phone: (708) 488-0400
Fax: (708) 488-1318

**DC, DELAWARE, MARYLAND,
NEW JERSEY, VIRGINIA,
PENNSYLVANIA/EAST**
SUTTER & CO., INC.
Edwin J. Sutter
301 Maple Avenue, West
Bldg. 2 - Suite E
Vienna, VA 22183
Phone: (703) 938-0505
FAX: (703) 281-4266

**LOUISIANA, OKLAHOMA, TEXAS,
ARKANSAS**
SCIENTIFIC SYSTEMS, INC.
Pete Schumacher
P. O. Box 150987
Arlington, TX 76015
Phone: (817) 467-3749
FAX: (817) 467-3807

NEW YORK, NEW JERSEY
COHU - NY/NJ
Ray Benck
432 Colesville Road
Binghamton, NY 13904-9711
Phone: (607) 775-4437
FAX: (607) 775-3803

**CONNECTICUT, MAINE, MASS.,
NEW HAMPSHIRE, RHODE IS.,
VERMONT**
COHU - NEW ENGLAND
Joe Barrett
343 Union St.
Portsmouth, NH 03801
Phone: (603) 430-2806
FAX: (603) 430-2807

**EASTERN CANADA
INTEGRATED TELE-
COMMUNICATIONS SYSTEMS**
R. Jeff Jeffress
594 Brookridge Cres.
Orleans, ON K4A 1Z4
Phone: (613) 830-8329
800-487-8135
FAX: (613) 830-8274

WESTERN CANADA
Contact CoHU/San Diego
(619) 277-6700

205 REPADRS PRINTED IN USA

Designed for
OEMs!

BOARD LEVEL MONOCHROME CCD CAMERA

1100 SERIES

High Performance 1/2" or 1/3" On-Chip- Microlens Interline Transfer Imager

The Cohu board-level CCD camera has been designed to fit the needs of OEM customers who require high performance video in a compact package. The 1100 Series features a resolution of 768 (H) x 494 (V) active pixels, internal crystal or external synchronization, and 2 to 16 field/8 step integration or shuttering to 1/10000.

Configuring the 1100 Series for custom purposes is quite easy. A flexible cable allows for virtually any orientation of the sensor with respect to the control board. Measuring less than 2" x 4", this feature/size combination is ideal for machine vision and image processing applications.

The 1100 Series cameras feature a 1/2"-format on-chip microlens sensor, which improves sensitivity and provides increased dynamic range while reducing lag, blooming and dark current. For video applications prone to streaking problems, a 1000:1 overload capability allows transmission of clear video signals even when bright incidental light is present in the scene.

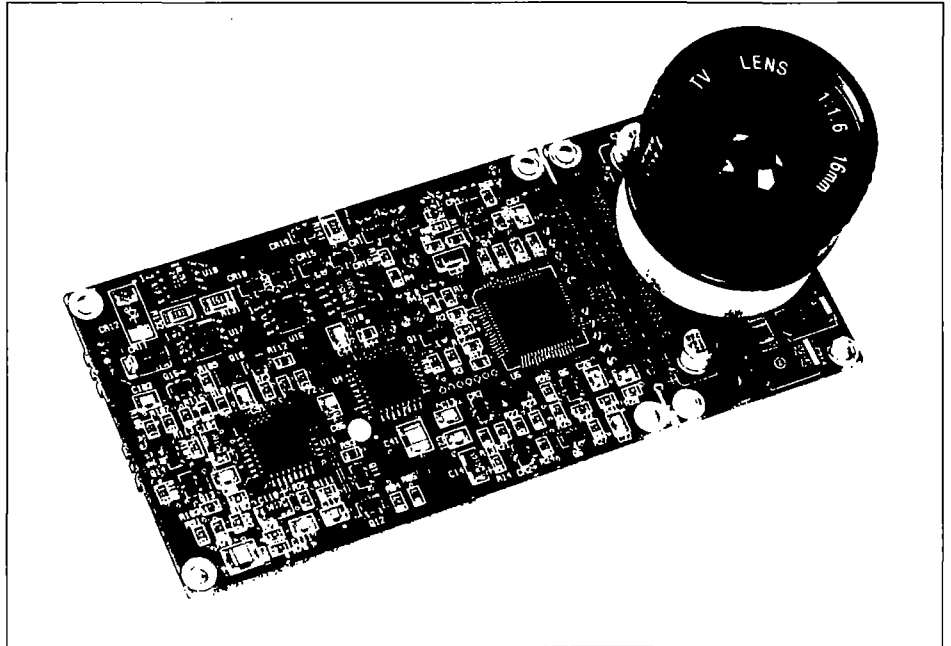
Both RS-170 and CCIR cameras have 20 dB of AGC for high sensitivity in low light-level applications.

This single board camera synchronizes from an internal crystal, or external horizontal/vertical source.

Asynchronous reset accepts an external trigger input to reset the camera to the beginning of the vertical interval (field 1, line 1). The first field of video information reads out 9.5 horizontal lines after triggering.

Four modes of operation can be selected: field (interlace and non-interlace), and frame (interlace and non-interlace). The integration time in the field mode is 16.6 ms for each field. Interlace mode sums two rows of pixels from each line, thus increasing the sensitivity. The non-interlace mode uses only field one, or one-half (242) the number of vertical pixels. The advantage of non-interlaced is using the same field of pixels every 1/60 second for repeatability. The integration time of each field in the frame (interlace) mode is 33.3 mS. for a vertical resolution of 485 pixels. Operating in the frame interlace mode and strobing will achieve full frame resolution of fast moving objects.

Cohu is ISO-9001 certified.



The Cohu 1100 Series Board Level Camera puts high performance in a small package.

Cohu offers option boards that greatly expand the capabilities of the 1100 Series. These boards easily plug into the control board. Options include:

- Line Lock Sync - accepts 12 VAC reference input and synchronizes the camera to the phase of the line frequency.
- External Sync - accepts genlock input (composite horizontal/vertical sync) to synchronize the camera to the externally-supplied reference.
- Electronic Iris - automatically controls the integration of the sensor from 1/60 sec. to 1/15,000 sec. to compensate for changing scene illumination. This control smoothly steps through the entire range.
- Special Reset - allows resetting the camera and determining integration time with an external pulse. Integration time ranges from a minimum of 650 μ S to a maximum limited only to the operator's subjective analysis of video information versus the rise in dark current.
- DC Iris - control auto iris lenses that do not have circuitry integral to the lens (aspherical).

FEATURES AND BENEFITS

- **High Resolution** — for better definition, error-free results
- **1/2" or 1/3" On-chip-microlens Interline Transfer Imager** virtually eliminates overload streaking, improves dynamic range and sensitivity.
- **Wide Dynamic Range** permits operation over a broad range of light levels.
- **High Signal-to-Noise Ratio** for clear, noise-free video.
- **Shutter** 1/60 to 1/10000 (8 steps)
- **Integration** from 2 to 16 fields
- **Field or Frame Modes**
- **1000:1 Overload Capability** permits incidental light overloads up to ten times that of other CCD cameras.
- **Custom Mechanical Configurations** to support your design.

APPLICATIONS

- **Image Processing**
- **Machine Vision**
- **Process Control**
- **Quality Control**
- **Image Analysis**

1100 SERIES BOARD LEVEL MONOCHROME CCD CAMERA

ORDERING INFORMATION

11X	2—	X	X	X	X	/	XXXX
Format	Power	Sync Options	Optical Filters	Lens Mounts	Options		Lens Options
2 1/2" RS-170	2 12 VDC, Standard	1 Crystal/H&V Drive/Async Reset (Standard)	0 None	0 None	0 None		Please consult factory for lens selections.
5 1/2" CCIR		2 Genlock (revert to crystal)		1 CS	3 Electronic Iris - RS-170*		
3 1/3" RS-170		4 Special Reset		2 C/CS	4 DC Lens Drive		
6 1/3" CCIR					5 Electronic Iris - CCIR*		

* For manual lens only. Do not use with fluorescent lighting.

SPECIFICATIONS

ELECTRICAL

Pick up Device

1/2" or 1/3" Interline transfer, microlens sensor

Active Picture Elements

RS-170: 768 (H) x 494 (V)
CCIR: 752 (H) x 582 (V)

Pixel Cell Size - RS-170

1/2": 8.6 μm (H) x 9.8 μm (V)
1/3": 6.35 μm (H) x 7.4 μm (V)

Pixel Cell Size - CCIR

1/2": 8.4 μm (H) x 8.3 μm (V)
1/3": 6.5 μm (H) x 6.25 μm (V)

Total Pixel Elements

811 (H) x 508 (V)

Resolution

RS170: 580 horizontal TVL, 350 vertical TVL
CCIR: 560 horizontal TVL, 450 vertical TVL

Synchronization

H & V
Crystal (RS-170A)
Asynchronous reset

Shutter

1/60 to 1/10000

AGC

20 dB range, auto or manual control

Signal-to-Noise

>55 dB (Gain 0, Gamma 1)
38 dB (Gain 20 dB, Gamma 1)

Gamma

.45 to 1.0, continually variable

Integration

2 - 16 fields

Lens Mount

C or CS (not included)

Auto Lens Output

Reference video provided to control auto-iris lenses

Sensitivity

	1/2"	1/3"
Full video, No AGC:	.065 fc	.087 fc
	.65 lux	.87 lux
80% Video, AGC on:	.005 fc	.006 fc
	.05 lux	.06 lux
30% Video, AGC on:	.002 fc	.003 fc
	.02 lux	.03 lux

Power

12 VDC, 3.6 W max. Standard;
115/230 VAC adapter optional

MECHANICAL

Dimensions

See illustration

Weight

1.50 oz. (44 g) without lens

Ambient Operating Temperature Limits

-20° to 60° C (4° - 140° F)

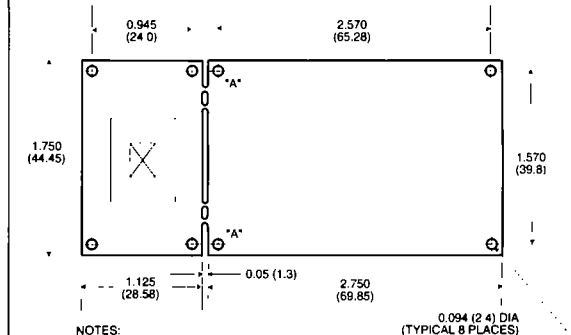
Relative Humidity

to 95% non-condensing

Shock

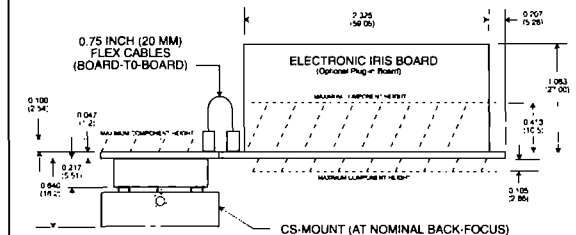
15 g's any axis, non-operating condition, per MIL-E-5400T

DIMENSIONS



NOTES:

- All dimensions in inches and (mm)
- PC board is 0.047 (1.2) thick
- A 1/2 or 1/3 inch sensor is centered on its board area
- Mounting holes are 0.094 (2.4) diameter with 0.175 (4.44) diameter pads. Pads are grounded except for holes "A" (2 places).



NOTES:

- All dimensions in inches and (mm)

COHU RESERVES THE RIGHT TO CHANGE SPECIFICATIONS WITHOUT NOTICE.



P.O. Box 85623 • San Diego, CA 92186

Telephone: (619) 277-6700 • FAX: (619) 277-0221

COHU
Cohu, Inc./Electronics Division

NEW!

MS SERIES - HIGH PERFORMANCE MONOCHROME CCD CAMERA

MS12/MS12E

1/2" On-Chip-Microlens Interline Transfer Imager

This Cohu monochrome CCD camera has been designed to fit the needs of OEM customers who require high performance video in a compact package. The MS12 features a resolution of 768 (H) x 494 (V) active pixels, internal crystal or external horizontal and vertical synchronization, 2 to 16 field/8 step integration, or 1/60 - 1/10,000 shuttering in eight steps.

It measures only 2" (W) x 1.5" (H) x 3.75" (L). This feature/size combination is ideal for scientific and image processing applications.

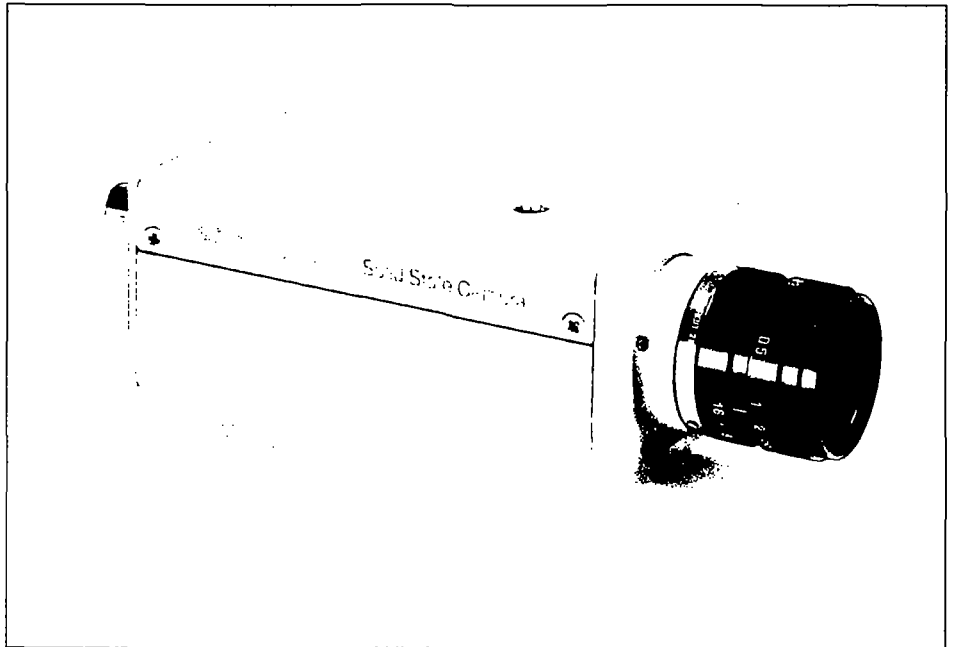
The MS12 Series cameras features a 1/2"-format on-chip microlens sensor, which dramatically improves sensitivity and dynamic range, and reduces dark current, lag, and blooming. For video applications prone to streaking problems, a 1000:1 overload capability allows transmission of clear video signals even when bright incidental light is present in the scene.

Both RS-170 and CCIR cameras have 20 dB of gain, manual or auto, for high sensitivity in low light-level applications.

The MS12 Series cameras synchronize from an internal crystal, or external horizontal/vertical source.

Asynchronous reset accepts an external trigger input to reset the camera to the beginning of the vertical interval (field 1, line 1). The first field of video information reads out 620 μ S after triggering.

Four modes of operation are user-selectable: field (interlace and non-interlace), and frame (interlace and non-interlace). The integration time in the field mode is 16.6 ms for each field. Interlace mode sums two rows of pixels from each line, thus increasing the sensitivity.



The MS12 is ideal for medical/microscopy and image processing applications.

The non-interlace mode uses only field one, or one-half (242) the number of vertical pixels, for repeatability. The integration time of each field in the frame (interlace) mode is 33.3 mS, for a vertical resolution of 485 pixels. Operating in the frame interlace mode and strobing will achieve full frame resolution of fast moving objects.

APPLICATIONS

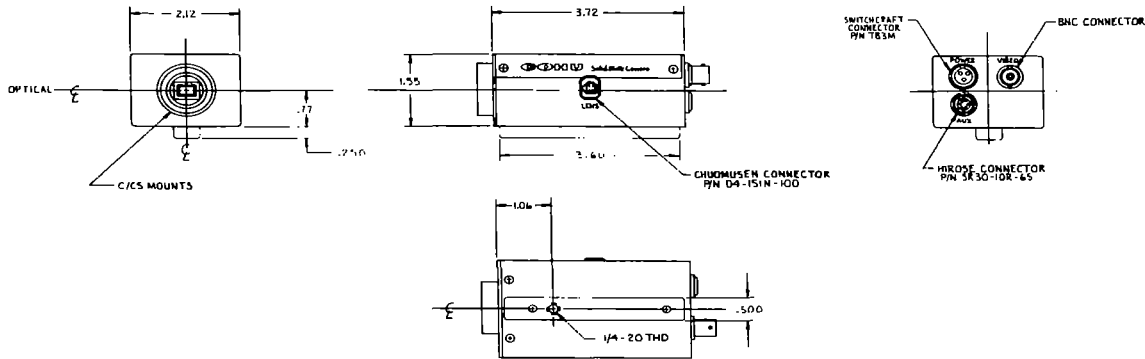
- **Image Processing**
- **Machine Vision**
- **Process Control**
- **Quality Control**
- **Image Analysis**

FEATURES AND BENEFITS

- **High Resolution** — for better definition, error-free results
- **1/2" On-chip-microlens Interline Transfer Imager** improves dynamic range and sensitivity and virtually eliminates overload streaking.
- **Wide Dynamic Range** permits operation over a broad range of light levels.
- **High Signal-to-Noise Ratio** for clear, noise-free video
- **Shutter** 1/60 to 1/10000 (8 steps)
- **Integration** from 2 to 16 fields
- **Field or Frame Modes**
- **1000:1 Overload Capability** permits incidental light overloads up to ten times that of other CCD cameras
- **Two Year Warranty**
- **Asynchronous Reset** to capture random events

MS12/MS12E MONOCHROME CCD CAMERA

DIMENSIONS



SPECIFICATIONS

ELECTRICAL

Pick up Device

1/2" Interline transfer, microlens sensor

Active Picture Elements

RS-170: 768 (H) x 494 (V)
CCIR: 752 (H) x 582 (V)

Pixel Cell Size

RS-170 8.4 μm (H) x 9.8 μm (V)
CCIR: 8.6 mm (H) x 8.3 μm (V)

Resolution

RS170: 580 horizontal TVL,
≥350 vertical TVL
CCIR: 560 horizontal TVL
450 vertical TVL

Synchronization

Internal:
Crystal (RS-170A)
External:
H & V
Asynchronous reset

Shutter

1/60 to 1/10000

AGC

20 dB range, auto or manual control

Signal-to-Noise

>55 dB (Gain 0, Gamma 1)
38 dB (Gain 20 dB, Gamma 1)

Gamma

.45 to 1.0, continually variable, preset to 1.0

Integration

2 - 16 fields

Lens Mount

Standard: CS
Accessory: C (PN:2010695-001)

Auto Lens Output

Reference video provided to control auto-iris lenses;

Lens Voltage

11 VDC

Sensitivity

Full video, No AGC: .065 fc (0.65 lux)
80% Video, AGC on: .005 fc (.05 lux)
30% Video, AGC on: .002 fc (.02 lux)

Power

Standard: Regulated 12 VDC, 3.6 W max.;
Accessory: 115/230 VAC to 12 VDC adapter (PN: 8368-4)

MECHANICAL

Connectors

Video Out: BNC;
12 VDC In: Switchcraft TB3M;
External Async Reset In, Vertical Trigger In, Horizontal Trigger In,
Ground: Hirose SR30-10R-6S

Dimensions

See illustration

Ambient Temperature Limits

-20° to 60° C (4° - 140° F)

Relative Humidity

to 95% condensing

Shock

30 g's, 11 ms duration, 3 axes

Mounts

1/4-20 female thread top and bottom

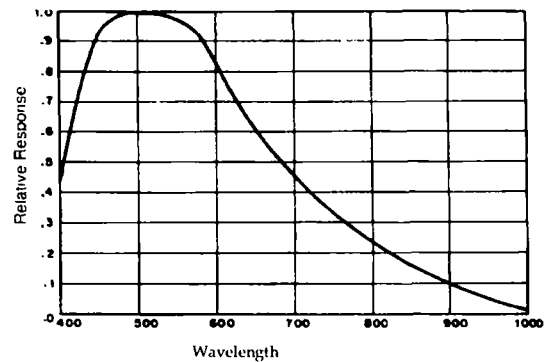
ORDERING INFORMATION

MS12 Monochrome 1/2" CCD camera, 12 VDC, RS-170A

MS-12E Monochrome 1/2" CCD camera, 12 VDC, CCIR

Lens Please consult factory or authorized Cohu representative for selection

SPECTRAL RESPONSE



COHU RESERVES THE RIGHT TO CHANGE SPECIFICATIONS WITHOUT NOTICE.



5755 Kearny Villa Road • San Diego, CA 92123
Telephone: (619) 277-6700 • FAX: (619) 277-0221 • TWX: 910-335-1244

COHU
Cohu, Inc./Electronics Division

NEW!

MONOCHROME CCD SURVEILLANCE CAMERA

2100 SERIES

High Performance 1/2" On-Chip-Microlens Interline Transfer Imager

The new Cohu 2100 Series camera has been designed for the surveillance professional who demands a small camera of unequalled performance at a competitive price. In a package measuring only 1.5"(H) x 3.75" (D) x 2" (W), you get 580 horizontal line resolution, microlens sensor technology for dramatic sensitivity and dynamic range, and a price comparable to cameras with only half the performance.

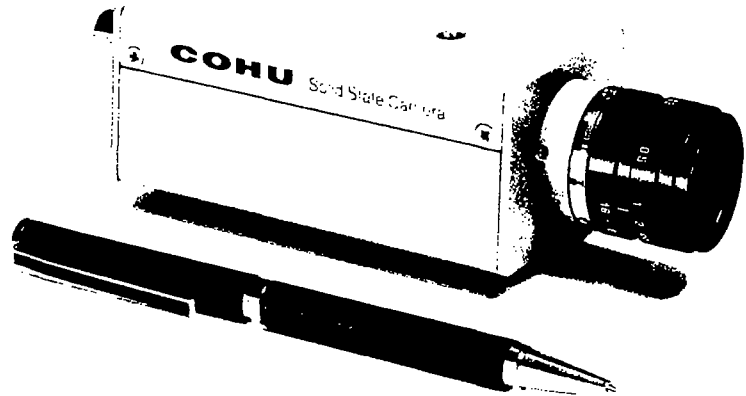
This feature/size combination makes it ideal for indoor surveillance installations, or for outdoor use when housed in a Cohu environmental enclosure.

The features of the 2100 Series give it versatility, reliability, and value. Rugged, solid state construction provides high resistance to shock and vibration. An electronic shutter allows the camera to track rapidly moving subjects.

Mounting holes on the top and bottom of its housing mean easy installation, while its neutral color allows it to unobtrusively blend into the surroundings.

APPLICATIONS

- Surveillance
- Covert Installations
- Access Control
- Transportation Systems
- Gaming
- Robotic Vehicles
- Loss Prevention
- Image Processing



For size, features, and price, the Cohu 2100 Series is the ideal surveillance and security camera.

The 2100 Series camera features a 1/2"-format on-chip microlens sensor, which improves sensitivity and dynamic range, while reducing dark current, lag, and blooming. For video applications prone to streaking problems, a 1000:1 overload capability allows incidental light overloads up to 10 times that of other cameras.

RS-170 and CCIR models are available, and both have 20 dB of AGC for high sensitivity in low light-level applications.

Electronic iris provides eight f-stops of automatic light control. This electronic shutter provides control from 1/60 to 1/15,000 second. This is of particular importance when the images are fast-moving or the camera is mounted on a vibrating source.

From board-level design to its cast aluminum enclosure, you can expect the highest performance and value from the Cohu 2100 Series CCD camera.

FEATURES AND BENEFITS

- **High Performance** — for clear images and positive identification
- **1/2" On-chip-microlens Interline Transfer Imager** dramatically improves dynamic range and sensitivity and virtually eliminates overload streaking
- **High Sensitivity** permits operation over a broad range of light levels.
- **High Signal-to-Noise Ratio** for clear, noise-free video.
- **"C" or "CS" Lens Mount** expands your choice of lenses.
- **Choice of RS-170 or CCIR Models**
- **1000:1 Overload Capability** permits incidental light overloads up to ten times that of other CCD cameras.
- **Two-Year Warranty**
- **Made in U.S.A.** — direct factory support
- **It's a Cohu CCTV camera** — your assurance of quality, dependability, industry recognition, customer service, and ISO-9001 certification.

Designed and manufactured in the U.S.A.

COHU
Cohu, Inc./Electronics Division

2100 SERIES MONOCHROME CCD SURVEILLANCE CAMERA

ORDERING INFORMATION

21 X	2 - X	X	0	X /	XXXX	
Format	Power	Sync Option	Optical Filter	Unassigned	Options	Lenses
2 1/2" RS-170 5 1/2" CCIR	2 12 VDC	1 Crystal 2 Genlock (revert to crystal)	0 None 1 IR		0 None 3 Elec Iris (RS-170) 4 DC Iris 5 Elec. Iris (CCIR)	The versatility of this camera allows for a wide selection of lenses. Consult your Cohu representative for the lens that best suits your application.

SPECIFICATIONS

Pick up Device

1/2" Interline transfer, enhanced sensitivity

Picture Elements

RS-170: 768 (H) x 494 (V)
CCIR: 752 (H) x 582 (V)

Resolution

RS-170: 580 horizontal TVL,
350 vertical TVL
CCIR: 560 horizontal TVL,
450 vertical TVL

Synchronization

Internal: Genlock, Crystal
External: H&V, Asynchronous reset

Electronic Shutter

1/60 to 1/15,000 with elec. iris
1/60 to 1/10,000 switch selectable

Signal-to-Noise

>55 dB (gain 0, gamma 1)
38 dB (gain 20 dB, gamma 1)

Gamma

.45 to 1.0 continually variable

AGC

20 dB range, auto or manual control

Integration

2-16 frames

Dimensions

See illustration

Lens Mount

C (CS adaptor provided)

Auto Lens Output

Reference video provided to control auto-iris lenses

Lens Voltage

11 VDC

Sensitivity

Full video, No AGC: 0.065 fc (.65 lux)
80% Video, AGC on: .005 fc (.05 lux)
30% Video, AGC on: .002 fc (.02 lux)

Power

12 VDC, 3.6 W max. Standard 115 VAC/60 Hz optional

Ambient Temperature Limits

-4° F (-20° C) to 140° F (60° C)

Relative Humidity

to 95% non-condensing

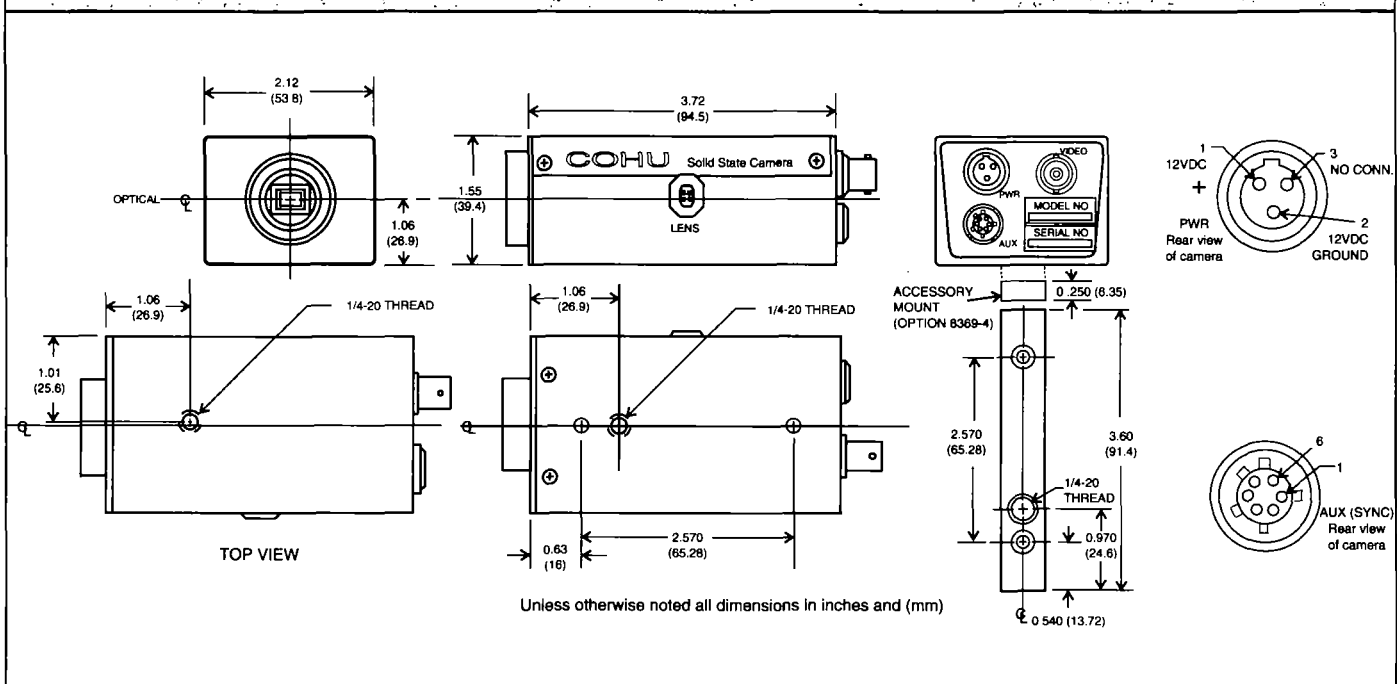
Shock

30 g's, 11 ms duration, 3 axes

Mounts

1/4-20 female threads, top and bottom

DIMENSIONS



DIGITAL OUTPUT MONOCHROME CCD CAMERA

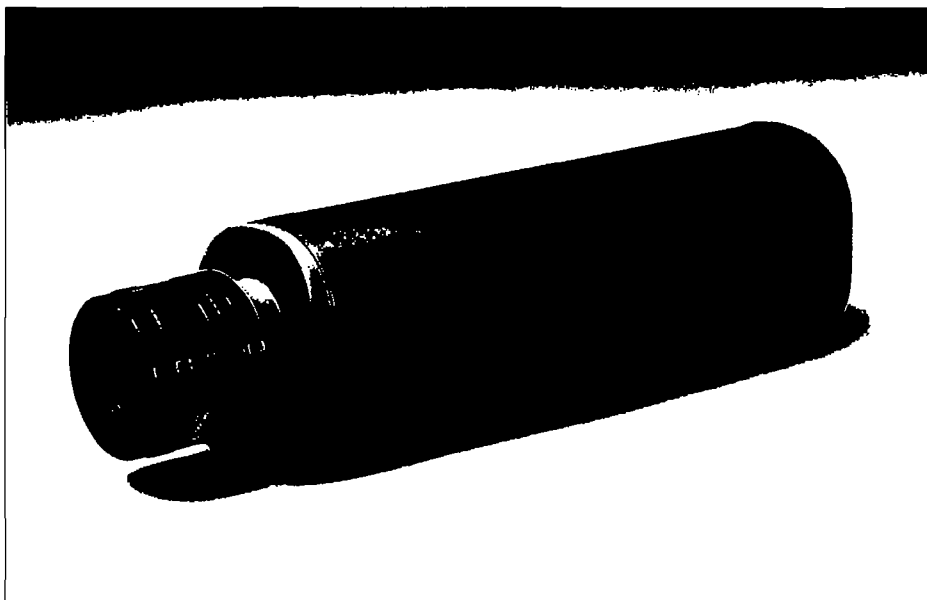
MODEL 4110

For Image Processing Without Pixel Jitter

Cohu's new Model 4110 Digital Video Camera is the first and only digital output CCD camera to combine a high-performance defect-free sensor and affordability in a single package. Designed to support both existing and future digital imaging applications, this exciting new camera is the culmination of close collaboration between Cohu and both users and manufacturers of image processing equipment.

The Model 4110 produces a digital output byte for each pixel and shares a pixel clock directly with the frame memory of the image processor board. The design eliminates the phase-lock-loop or genlock circuits usually employed with conventional analog to digital front end circuitry. This breakthrough allows an accurate digital reproduction of each pixel to be transferred to the processor and virtually eliminates pixel jitter. Imaging system noise is further reduced by moving the sensitive analog front end circuitry into the camera and away from the high-noise environment associated with the host computer's digital computing circuitry. The result is a much higher system Modulation Transfer Function (MTF) from the camera sensor to the image processor.

The new Model 4110 helps digitizer manufacturers conserve board space, providing room for additional functions and features.



Cohu Model 4110 Digital Video Monochrome CCD Camera

The Model 4110 is a vastly superior image acquisition camera for use with measurement systems. The virtual elimination of pixel jitter, the near perfect geometry of the CCD sensor array, and the optimum MTF efficiency make the 4110 the smart choice for dimensional measurement systems. The improved signal-to-noise ratio and broad dynamic range of true 8-bit precision, combined with the elimination of clamping, auto gain, post filtering, and auto black circuitry, make the Model 4110 the best

choice for photometric purposes.

The Model 4110 uses a half-inch format, 739 x 484 sensor array. By using an image processing board with the same or greater processor memory, the Model 4110 will yield a higher system resolution than can be achieved with conventional analog cameras on similar systems.

Designed and manufactured in U.S.A., the rugged and highly reliable Model 4110 is backed by a two-year warranty.

APPLICATIONS

- **Measurement**
- **Image Processing**
- **Machine Vision**
Pattern recognition
Non-contact measurement
Inspection
- **Microscopy**
- **Medical Imaging**
- **Robotics**
- **Laboratory Research**
- **Remote Sensing**

FEATURES AND BENEFITS

- **Highly Accurate Measurements** due to elimination of pixel jitter
- **Improved System Efficiencies** resulting from in-camera A/D conversion
- **Noise Reduction** resulting from advanced design features
- **Preservation of Near-Perfect Array Geometry** due to direct correspondence between sensor elements and processor memory
- **No Audible Noise** — no array movement, no electromechanical components
- **Real Time, RS-170 Speed** at 14.31818 MHz clock
- **Maximized Resolution** due to improved MTF
- **Cost Effective** — priced well below cameras with similar capabilities.
- **1/2" Format CCD 739x484 Frame Transfer Array, Blemish-Free Sensor**
- **Simultaneous Analog Video Output**
- **Electronic Shutter** reduces blurring of fast-moving objects

MODEL 4110 DIGITAL OUTPUT MONOCHROME CCD CAMERA

ORDERING INFORMATION

411X	—	X	X	XX	/	XXXX
Power Options		Clock Options	Filter Options	Special Options		Lens Options
0 ± 15v DC and +5v (w/o External Power Supply)		1 14.31818 MHz Clock (Master)	0 No I.R. Filter	00 No Camera Cable		0000 None
5 115v AC (With External Power Supply)		2 10 MHz Clock (Master)	1 With I.R. Cutoff Filter	01 44-pin to 37-pin interface cable, 10 ft.*		Manual Iris Lenses
		3 14.3 MHz (Slave)		02 44-pin to 25-pin interface cable, 10 ft.*		AL04 4.5mm, f/2.0 (2/3")*
		4 10 MHz (Slave)				AL06 6.5mm, f/1.8 (2/3")*
		5 Externally Selectable 14.3 MHz Master/Slave				AL08 8mm, f/1.4 (2/3")*
						AL12 12.5mm, f/1.4 (1")
						AL16 16mm, f/1.4 (2/3")
						AL26 25mm, f/1.6 (2/3")
						AL51 50mm, f/1.8 (2/3")
						AL75 75mm, f/1.8 (1")
						* Wide angle.
						Please consult factory for other lens selections.

COHU RESERVES THE RIGHT TO CHANGE SPECIFICATIONS WITHOUT NOTICE

COMPATIBLE IMAGE PROCESSING BOARDS

Compatible image processing boards are available from the following manufacturers, listed in alphabetical order:

Coreco
Saint Laurent, Quebec
Phone: (800) 361-4914
From Canada: (514) 333-1301

Dipix
Ottawa, Ontario
Phone: (800) 724-5929
From Canada: (613) 596-4942

Epix, Inc.
Northbrook, IL
Phone: (708) 498-4002

Imaging Technology, Inc.
Woburn, MA
Phone: (800) 532-3500

Imagraph
Chelmsford, MA
Phone: (508) 256-4624

Matrox
Dorval, Quebec
Phone: (514) 685-2630

Perceptics Corporation
Knoxville, TN
Phone: (615) 966-9200

Recognition Concepts
Carson City, NV
Phone: (800) 243-8724

Tecon
Redmond, WA
Phone: (800) 232-5220

Univision Technologies, Inc.
Burlington, MA
Phone: (617) 221-6700

**IMPROVED
PERFORMANCE!**
Enhanced Signal-to-Noise Ratio (56 dB)
Greater Sensitivity (to 0.04 Lux)

CCIR SOLID-STATE MONOCHROME CCD CAMERA

MODEL 4710

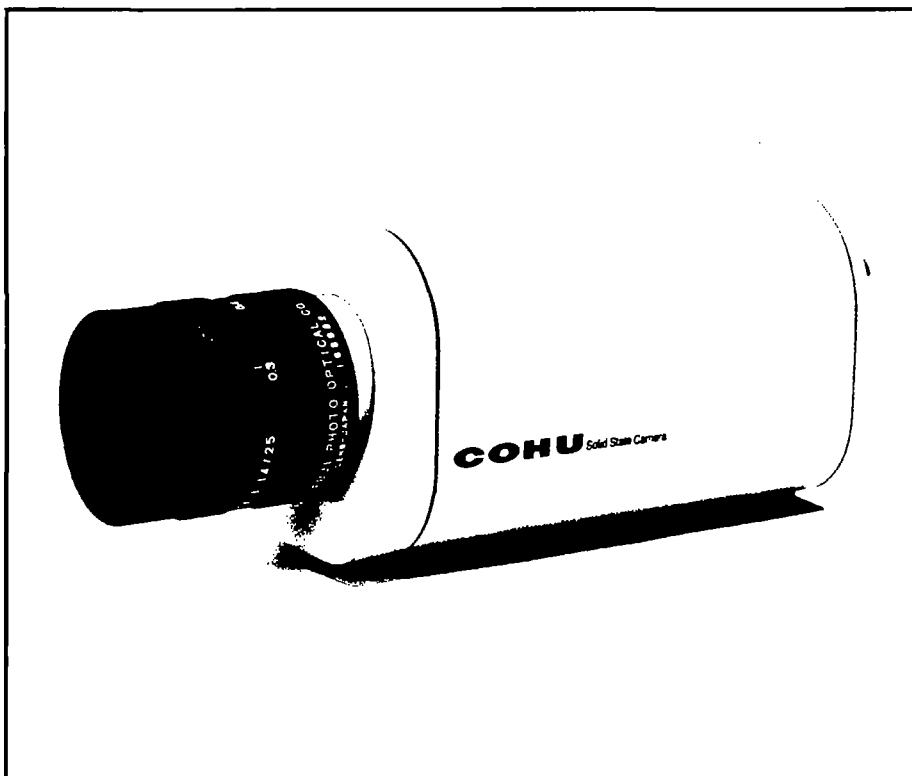
**High Resolution,
High Sensitivity and Low Noise**

Cohu's Model 4710 solid-state cameras now offer even better performance for applications requiring low noise, high resolution and high sensitivity. Improved signal-to-noise characteristics result in a quieter picture, and better immunity to potentially harmful noise disturbances. The new Model 4710 also makes high resolution pictures attainable without geometric distortion, lag or image retention. The blemish-free imager provides pixel-to-pixel contrast variation of less than 5%.

Closely matching the sensitivity of standard silicon target imaging tubes, the Model 4710 CCD (Charge Coupled Device) image sensor uses the frame transfer method with over 400,000 picture elements and an active imaging area of 6.4 mm by 4.8 mm (1/2-inch format). Automatic Gain Control (AGC) adds further sensitivity for use under widely varying light conditions.

In addition to its superior performance, the new Model 4710 represents the ultimate in quality construction. Designed and manufactured in the U.S.A., these rugged CCD cameras have become the international standard for performance and reliability.

Available with a wide range of options, the Model 4710 is compact, lightweight and energy efficient. It is the ideal CCD camera for machine vision, image processing, robotics, process control, microscopy, and many other scientific and industrial applications.



Cohu Model 4710

FEATURES AND BENEFITS

- **High Resolution** for better definition of details, error-free results.
- **High Sensitivity** permits operation over a broad range of light levels.
- **Enhanced Signal-to-Noise Ratio** for clean, noise-free video.
- **Frame Transfer Imager** for minimized blooming characteristics.
- **No Lag or Image Retention** for fast, clean, precise images.
- **Zero Geometric Distortion** for consistent corner-to-corner linearity.
- **Low Power Consumption** for flexible system integration, energy savings, and minimal dissipation.
- **Adjustable C Mount** for maximum adaptability.
- **Quality, State-of-the-Art Design and Construction** for total, solid-state reliability and long life.
- **Wide Range of Options** for flexible system integration.
- **Auto Black** for maximum effective dynamic range.
- **AGC with Peak-Average Adjustment** for clear images in varying light level applications.
- **Blemish-Free Imager** for quality, blemish-free image.
- **IR Sensitive** for use in IR applications.

APPLICATIONS

- **Machine Vision**
Pattern Recognition
Non-Contact Measurement and Inspection
Bar Code Reading
Image Processing
- **Robotics**
Automated Visual Control
- **EMI Environments**
Subways
High Voltage Areas
Linear Accelerators
NMR Units
- **Remote Piloted Vehicles**
Land Based, Aircraft,
Submersibles
- **Microscopy**
- **Medical Imaging**

Designed and manufactured in U.S.A.

COHU
Cohu, Inc./Electronics Division

MODEL 4710 CCIR SOLID-STATE MONOCHROME CCD CAMERA

SPECIFICATIONS

ELECTRICAL

Imager

Single CCD using frame transfer method

Image Area

6.4 x 4.8mm (corresponding to 1/2" tube)

Active Picture Elements

699(H) x 576(V)

Number of Picture Cells

732(H) x 290(V)

Cell Size

9.2 μm(H) x 16.8 μm(V)

Resolution

Horizontal 525 TV lines
Vertical > 415 TV lines

Sensitivity

See Table 1, below.

Contrast Variation @ 25°C

<5% overall

Scanning System

CCIR, 2:1 interlaced

Video Output

1.0 Vp-p 75 ohms unbalanced

Gamma

0.5 or 1.0 jumper selectable

AGC

6dB variable gain (peak-average adjustable)

Jumper-selectable — on/off

Auto Lens Drive

Peak-average adjustable
(Separate auto lens video eliminates AGC/auto lens interaction)

Signal-to-Noise Ratio @ 25°C

56dB (gamma 1, gain 0 dB), unweighted, 8MHz bandwidth

Auto Black

Maintain set-up level at 7.5 + 5 IRE units if picture contains at least 10% black

Power Options

AC or DC 12V ± 10%

AC or DC 24V ± 5% (optional)

AC or 220/240V ± 10%, 50Hz with wall transformer

Power Consumption

4.2W

Grey Scale

Renders all shades of grey on EIA TV resolution chart, 1956

ENVIRONMENTAL

Ambient Temperature Limits

Operating: -10° to 50°C
(14° to 122°F)

Storage: -30° to 70°C
(-22° to 157°F)

Humidity

Up to 95% relative humidity

Vibration

5 to 60Hz with 0.208cm/0.082 inches total excursion (15 g's @ 60Hz); from 60 to 1,000Hz, 5 g's rms random vibration without damage

Shock

30 g's in any axis under non-operating conditions per MIL-E-5400T, paragraph 3.2.24.6

Altitude

Sea level to equivalent of 3,048m/10,000 feet (508mm/20 inches of mercury)

MECHANICAL

Dimensions

See Figure 1.

Weight (less lens)

450 grams/15 ounces

Camera Mount

1/4 - 20 threaded holes

Lens Mount

"C" Mount

Lens

See Ordering Information.

Connectors

BNC Connector — Video out

Switchcraft TB4M — Lens Drive

Switchcraft TB3M — Power in

Hirose SR30-10R-6S (Auxiliary)

SENSITIVITY 2850K FACEPLATE ILLUMINATION

	With IR Filter	Without IR Filter
Usable with AGC	0.2 Lux (.02 fc)	0.04 Lux (.004 fc)
Full Video, Non-AGC	1.5 Lux (.15 fc)	0.25 Lux (.025 fc)
Full Video, AGC	0.7 Lux (.07 fc)	0.12 Lux (.012 fc)

Table 1

DIMENSIONS

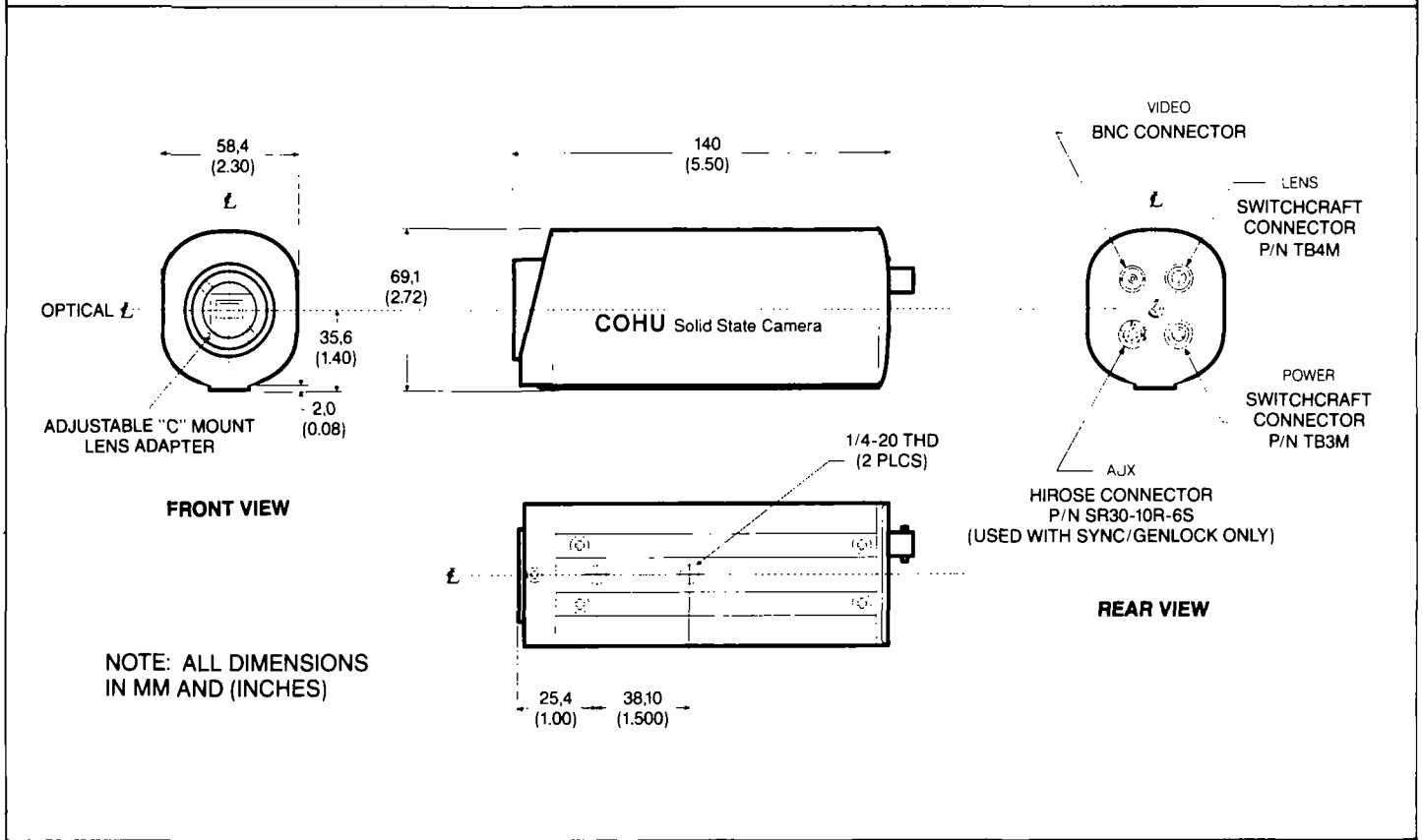
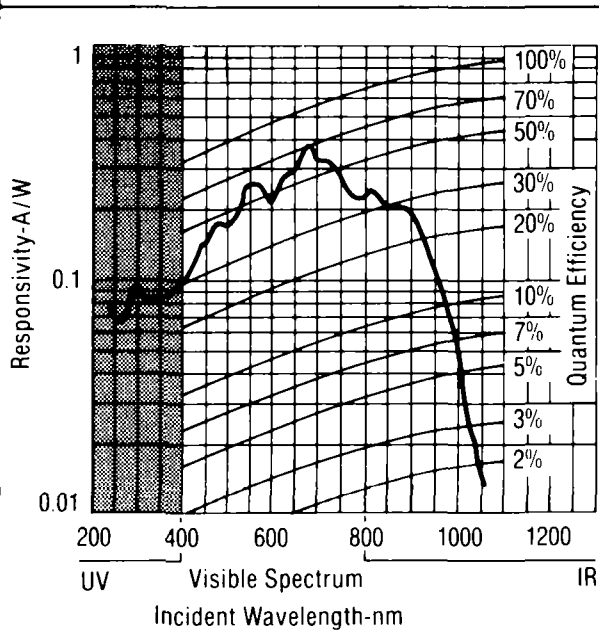


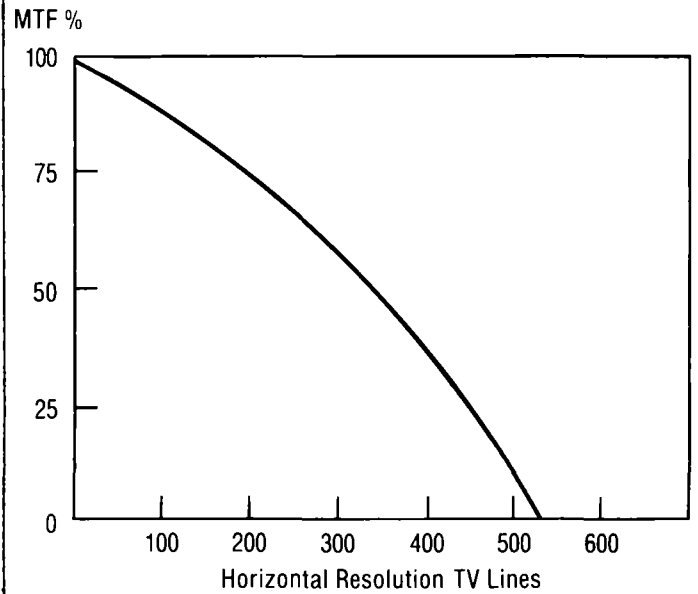
Figure 1

SPECTRAL RESPONSE



SHADED AREA INDICATES SPECTRAL RESPONSE WITH FACE-PLATE REMOVED OR WITH A QUARTZ FACE-PLATE INSTALLED. PLEASE CONSULT FACTORY FOR PRICES

MODULATION TRANSFER FUNCTION CURVE



MODEL 4710 CCIR SOLID-STATE MONOCHROME CCD CAMERA

ORDERING INFORMATION

471X

—

X

XXX

/

XXXX

Power Options

- 2 12V ac 50 Hz or dc
- 3 220/240V ac, 50 Hz
- 4 24V ac 50 Hz or dc

Sync Options

- 2 Genlock, revert to crystal
- 3 Genlock, revert to line lock
- 5 CCIR Crystal
- 7 H & V Drive

Optical Filter

- 000 None
- 100 IR Filter

Lens Options

- 0000 None

Manual Iris Lenses

- A014 12mm, f/1.2, 1/2"
- AL04 4.5mm, f/2.0, 2/3"
- AL06 6.5mm, f/1.8, 2/3"
- AL08 8mm, f/1.4, 2/3"
- AL09 9mm, f/1.3, 2/3"
- AL16 16mm, f/1.4, 2/3"
- AL26 25mm, f/1.6, 2/3"
- AL51 50mm, f/1.8, 2/3"

Auto Iris Lenses

- ES04 4.2mm, f/1.8, 1/2"
- ES06 6mm, f/1.2, 1/2"
- ES08 8mm, f/1.4, 2/3"
- ES13 12mm, f/1.2, 1/2"
- ES16 16mm, f/1.4, 2/3"
- EH35 35mm, f/1.4, 2/3"

Please consult factory for other lens selections.

COHU RESERVES THE RIGHT TO CHANGE SPECIFICATIONS WITHOUT NOTICE.

OPTIONAL FEATURES

SYNC OPTIONS

The standard sync board contains a crystal-controlled oscillator to generate a 13.375 MHz reference frequency. A sync generator IC shapes the repetitive timing pulses used to control the movement of charge frames on the sensor board. This board also contains circuits to generate blanking, clamp, and sync pulses. These signals combine with the video signal on the video board to produce composite CCIR monochrome video.

The genlock board contains additional circuits to receive external input signals, including composite video, composite sync, and horizontal and vertical drive. These inputs are processed and supplied as reference signals to the genlock oscillator. In the absence of an externally applied signal, the camera is either crystal-locked or line locked, depending on the position of the crystal/line lock jumper. In the Line Lock Mode, the camera synchronizes to an external 50 Hz reference derived from the AC power line. In the CCIR Crystal Mode, the internal crystal-controlled oscillator provides back-up. The H and V Drive Input option allows the camera to synchronize to externally supplied horizontal- and vertical-drive signals.

POWER OPTIONS

The Model 4710 camera requires AC or DC 12V or 24V input power. For operation from a 220/240 VAC 50 Hz power source, an optional AC power pack is available.

OPTICAL FILTER

The Model 4710 is designed to be IR sensitive. For use in applications with undesirable IR conditions, the optional IR filter will cut off at 650nm.

LENS OPTIONS

In addition to the lenses listed above, Cohu provides a complete selection of lenses for specialized applications. Our applications engineers will help you determine the proper field-of-view, focal length, lens speed (f-stop), and size (image sensor format) for your application.

SPECIAL FEATURES

Cohu welcomes the opportunity to provide special features to better serve your particular application. Some examples of special features already provided include custom painting, silk screen and logo; remote head with 6' cable; imager faceplate removal for laser applications; imager tilt with customer-specified degree; and special connector pin configurations. Please contact Cohu for other special features.

HIGHER SENSITIVITY-0.02 LUX!

CCIR SOLID-STATE CCD MONOCHROME CAMERA

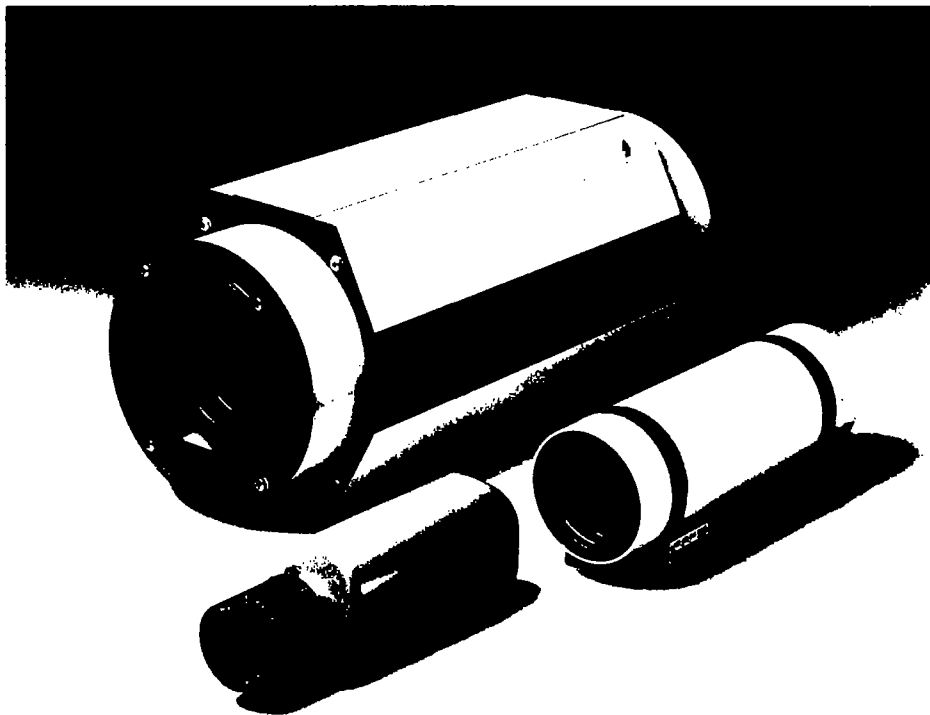
4720/4730/4760 SERIES

**High Resolution
High Sensitivity**

Cohu's solid-state cameras now offer even better performance for security/surveillance applications requiring high resolution and high sensitivity. Exceeding the sensitivity of standard silicon target imaging tubes, Cohu's CCD (Charge Coupled Device) image sensor uses the frame transfer method with over 400,000 picture elements and an active imaging area of 6.4mm by 4.8mm (1/2-inch format). Automatic Gain Control (AGC) adds further sensitivity for use under widely varying light conditions. In addition, high resolution pictures are attainable without geometric distortion, lag, or image retention.

Cohu's CCD cameras are available in three different housings. The 4720 Series comes in a low profile enclosure for general purpose, indoor applications. The 4730 and 4760 Series are for harsh environment applications. The 4730 is housed in a 3-inch barrel to minimize size and weight. The 4760 is housed in a 6-inch barrel to accommodate a 6:1 or 10:1 zoom lens. A UL Classified explosion-proof housing is also available as an option.

Cohu's CCD cameras represent the ultimate in quality construction. Designed and manufactured in the U.S.A., these rugged, energy-efficient cameras have become the international standard for performance and reliability. Available with a wide range of options, the 4720/4730/4760 Series is the logical choice for trouble-free security/surveillance applications.



Cohu CCIR Monochrome CCD Cameras

FEATURES AND BENEFITS

- **High Resolution** for better definition of details, error-free results.
- **High Sensitivity** permits operation over a broad range of light levels.
- **Enhanced Signal-to-Noise Ratio** for clean, noise-free video.
- **Frame Transfer Imager** for minimized blooming characteristics.
- **No Lag or Image Retention** for fast, clean, precise images.
- **Zero Geometric Distortion** for consistent corner-to-corner linearity.
- **Low Power Consumption** for flexible system integration, energy savings, and minimal dissipation.
- **Adjustable C Mount** for maximum adaptability.
- **Quality, State-of-the-Art Design and Construction** for total, solid-state reliability and long life.
- **Wide Range of Options** for flexible system integration.
- **Auto Black** for maximum effective dynamic range.
- **AGC with Peak-Average Adjustment** for clear images in varying light level applications.
- **Blemish-Free Imager** for quality, blemish-free image.
- **IR Sensitive** for use in IR applications.

OPTIONS

- **Line-Lock or Genlock**
- **Phase Adjustable Line-Lock**
- **External H & V Drive**
- **Clock Output** (13.375 MHz)
- **IR Filter**
- **Bright Light Limiter**
- **Source ID Generator**
- **Remote Control**
- **Heater**

Designed and Manufactured in U.S.A.

COHU
INC
ELECTRONICS DIVISION

4720/4730/4760 CCIR SOLID-STATE CCD CAMERA

SPECIFICATIONS

ELECTRICAL

Imager

Single CCD using frame transfer method

Image Area

6.4 x 4.8mm (corresponding to 1/2" tube)

Active Picture Elements

699(H) x 576(V)

Number of Picture Cells

732(H) x 290(V)

Cell Size

9.2 μ m(H) x 16.8 μ m(V)

Resolution

Horizontal 525 TV lines

Vertical > 415 TV lines

Sensitivity

See Table 1, back cover

Contrast Variation @ 25°C

<10% overall

Scanning System

CCIR, 2:1 interlaced

Video Output

1.0 Vp-p 75 ohms unbalanced

Gamma

0.5 or 1.0 jumper selectable

AGC

6dB variable gain (peak-average adjustable)

Jumper selectable — on/off

Auto Lens

Peak-average adjustable

(Separate auto lens video eliminates AGC/auto lens interaction)

Signal-to-Noise Ratio @ 25°C

52dB (gamma 1, gain 0dB),

unweighted, 8MHz bandwidth

58dB (gamma 1, gain 0dB),

weighted, CCIR

Auto Black

Maintain set-up level at 7.5 + 5 IRE units if picture contains at least 10% black

Power Requirements

AC or DC 12V \pm 10%

AC or DC 24V \pm 5% (optional)

AC 220/240V \pm 10%, 50Hz with optional wall transformer

Power Consumption

4.2W

4720 SPECIFICATIONS

ENVIRONMENTAL

Ambient Temperature Limits

Operating: -10° to 50°C
(14° to 122°F)

Storage: -30° to 70°C
(-22° to 157°F)

Humidity

Up to 95% relative humidity

Vibration

5 to 60Hz with 0.208cm/0.082 inches total excursion (15 g's @ 60Hz); from 60 to 1,000Hz, 5 g's rms random vibration without damage

Shock

30 g's in any axis under non-operating conditions per MIL-E-5400T, paragraph 3.2.24.6

Altitude

Sea level to equivalent of 3,048m/10,000 feet (508mm/20 inches of mercury)

MECHANICAL

Weight (less lens)

450 grams/15 ounces

Camera Mount

1/4 - 20 threaded holes

Lens Mount

"C" Mount, 16mm format

Type of Connector

BNC Connector — Video out
Switchcraft TB4M — Lens Drive
Switchcraft TB3M — Power in
Hirose SR30-10R-6S (Auxiliary)

4730 & 4760 SPECIFICATIONS

ENVIRONMENTAL

Ambient Temperature Limits

Operating: -10° to 60°C
(14° to 140°F)

Storage: -30° to 70°C
(-22° to 157°F)

With heaters ("L" Option):
-40° to 60°C
(-40° to 140°F)

Ambient Air Pressure

Sea level to equivalent of 3,048m/10,000 feet (508mm/20 inches of mercury)

Humidity

Up to 100% relative humidity
MIL-E-5400T paragraph 3.2.24.4; equipped with standard Schrader tank valve (purge fitting) on camera housing to allow camera to be purged with dry nitrogen or other moisture eliminators, and to maintain housing interior at approximately 5 psi/.352 kg/cm²

Vibration — 4730

5 to 60Hz with 0.051cm/0.020 inches total excursion (3.5 g's @ 60Hz)

60 to 1,000Hz, 3 g's rms random vibration without damage

Vibration — 4760

0.076cm/0.03 inches total excursion from 5 to 30Hz; peak random vibrations of 5 g's from 30 to 1,000Hz without damage or degradation

Shock

30 g's in any axis under non-operating conditions per MIL-E-5400T paragraph 3.2.24.6

Air Contaminants

Withstands exposure to sand, dust, fungus and salt atmosphere, per MIL-E-5400T paragraphs 3.2.24.7, 3.2.24.8, and 3.2.24.9

Explosion

MIL-E-5400T paragraph 3.2.24.10

Acoustic Noise

Operates in extremely high acoustic noise environment (150dB), e.g., close proximity to high-thrust rocket engine

Underwater Operation

Camera head operates to depth of 18.3m/60 feet with factory installed connector option available

MECHANICAL

Weight (less lens)

4732 — 1.36 kg/3 lbs.

4735 — 1.81 kg/4 lbs.

4760 — 6.35 kg/14 lbs.

7.71 kg/17 lbs. (Z10D lens)

Type of Lens

A full range of C-mount fixed, auto-iris, and zoom lenses are available (see Ordering Information for Lens Options)

Rear Plate Connector

4730: Bendix PT07C-14-18P

4760: Bendix PT07C-20-39P

(Mating connector supplied; all functions, video, power, and remote controls through single connector)

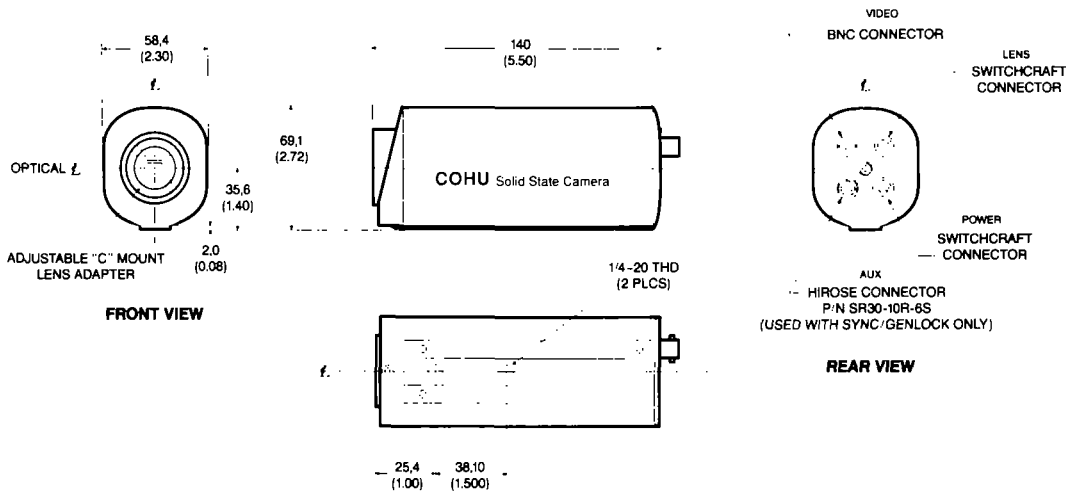
Pressurized Fitting

Standard Schrader Valve

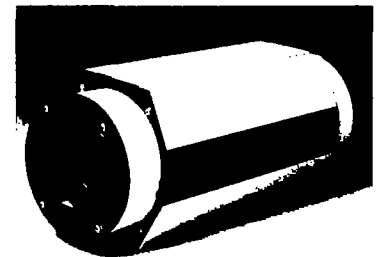
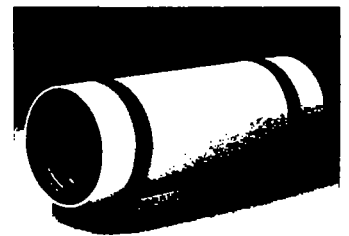
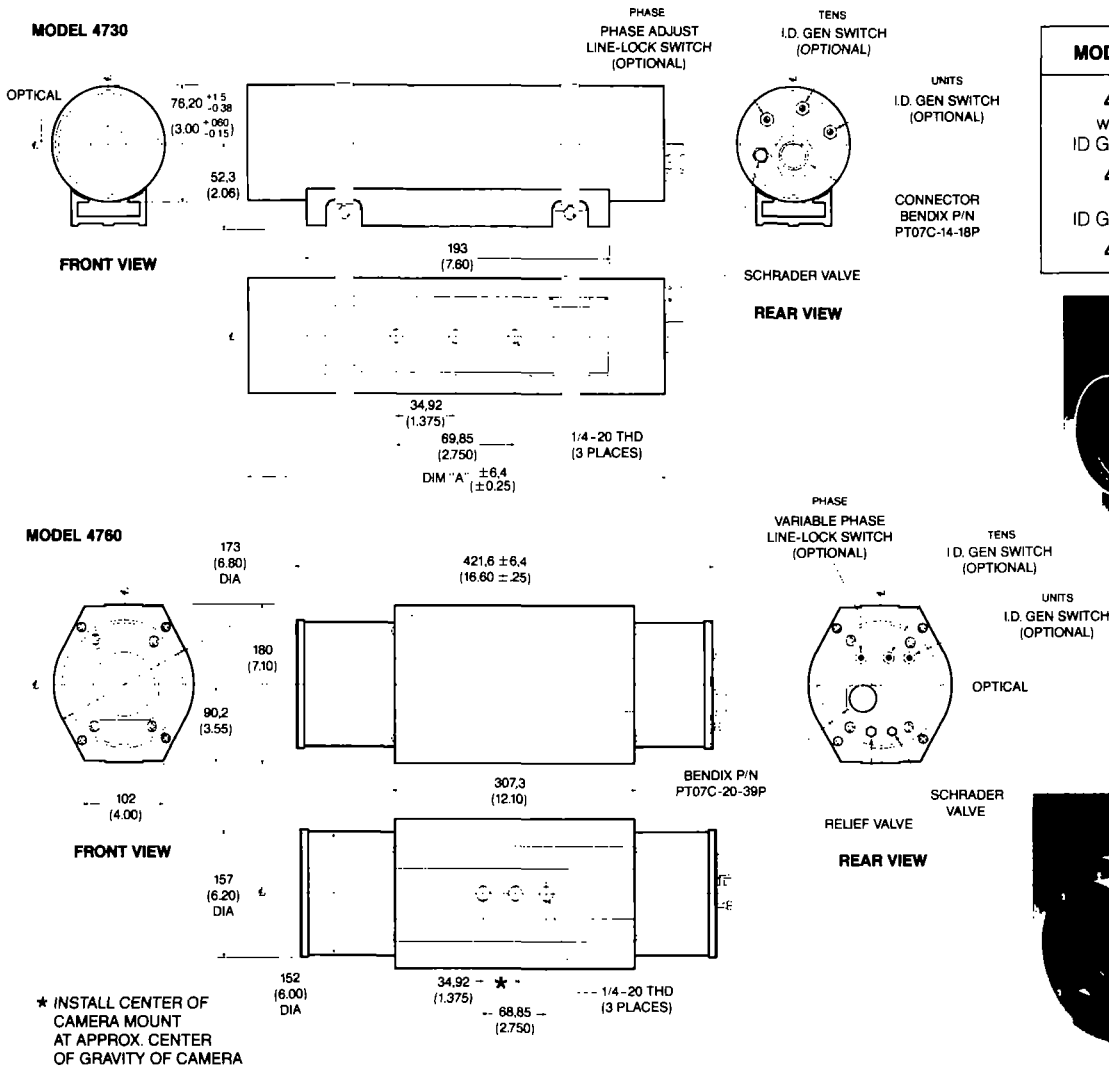
Purge/Relief Fitting

Pressure relief valve (4760 only)

4720 DIMENSIONS



4730 & 4760 DIMENSIONS



4720/4730/4760 CCIR SOLID-STATE CCD CAMERA

ORDERING INFORMATION

47X X - X X XX / XXXX X

Housing

- 0 None
- 2 General Purpose
- 3 Environmental Housing — 3"
- 6 Environmental Housing — 6"
- 7 UL Classified Explosion-Proof Housing CHX

Power Options

- 0 None
- 2 12VAC or DC
- 3 220/240V AC
- 4 24VAC or DC

Sync Options

- 2 Genlock/XTAL
- 3 Genlock/LL
- *4 Phase Adjust LL
- 5 CCIR Crystal
- 7 Ex H & V Drive

Optical Filter

- 0 None
- 1 IR Filter

Option Boards

- 00 None
- *40 Bright Light Limiter
- *50 Source I.D. Generator
- *54 Source I.D. Generator & Bright Light Limiter

Lens Options

- Manual Iris Lens (4720 Only)**
- 0000 None
 - AL09 9 mm, f/1.4
 - AL12 12.5 mm, f/1.4
 - AL16 16 mm, f/1.4
 - AL25 25 mm, f/1.4
 - AL50 50 mm, f/1.4
 - AL75 75 mm, f/1.8
- Auto Iris Lens**
- ES08 8.5 mm, f/1.3
 - ES12 12.5 mm, f/1.4
 - ES16 16 mm, f/1.4
 - ES25 25 mm, f/1.4
 - ES50 50 mm, f/1.8
 - ES75 75 mm, f/1.8
- Zoom Lens (4760 only)**
- Z06D 6:1, f/1.4
 - Z10D 10:1, f/1.6

Options

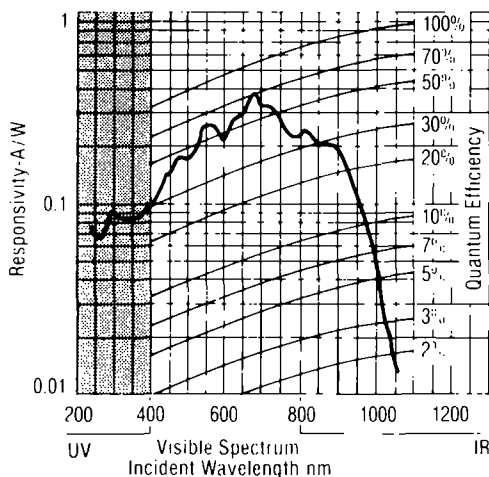
- L Low Temperature Operation
- For Sunshields**
- 4730 Series use SS-300
- 4760 Series use SS-522
- For Remote Control**
- Use 2380-090 CA-246 (4730 Cable)
- CA-294 (4760 Cable)

*4730/4760 only

Other lens options are available

COHU RESERVES THE RIGHT TO CHANGE SPECIFICATIONS WITHOUT NOTICE.

SPECTRAL RESPONSE



MODULATION TRANSFER FUNCTION

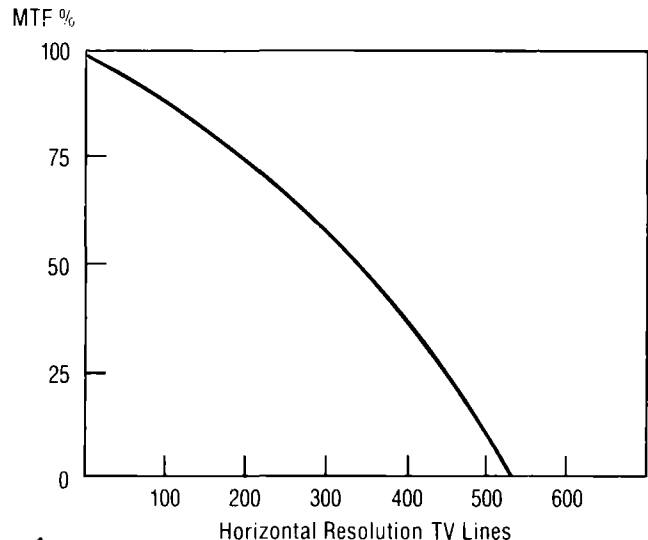


Figure 1

TYPICAL SENSITIVITY 2850K FACEPLATE ILLUMINATION

	With IR Filter	Without IR Filter
Usable with AGC	0.2 Lux (.02 fc)	0.02 Lux (.002 fc)
Full Video, Non-AGC	1.2 Lux (.12 fc)	0.10 Lux (.010 fc)
Full Video, AGC	0.6 Lux (.06 fc)	0.05 Lux (.005 fc)

Table 1

NEW!

SOLID-STATE CCIR MONOCHROME CCD CAMERA

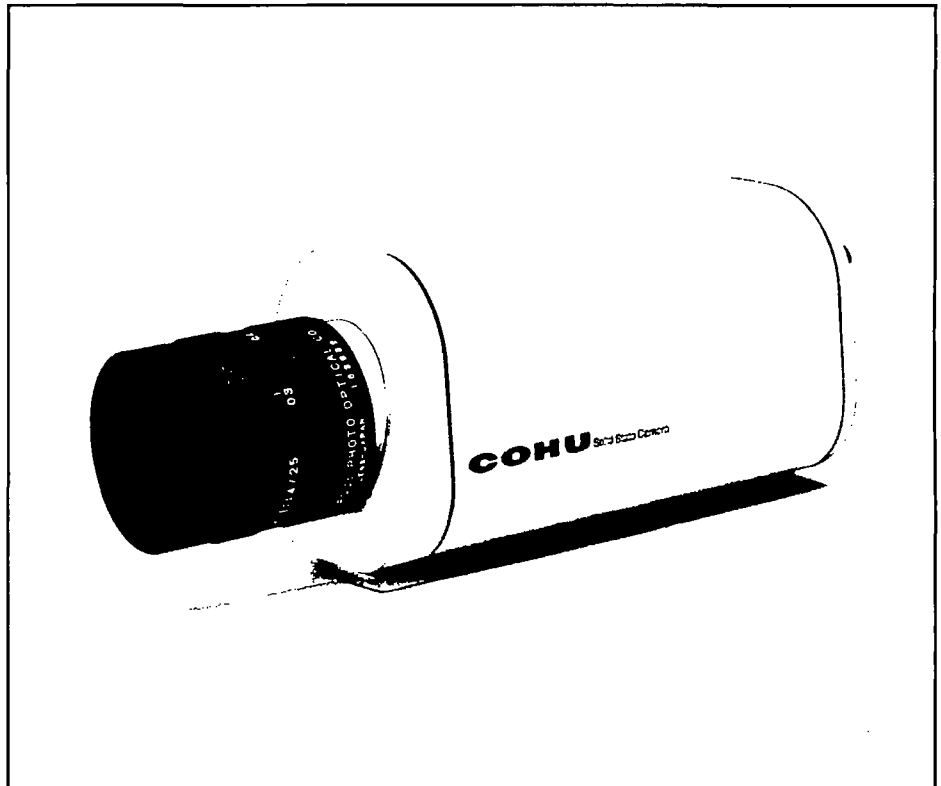
MODEL 4750

**High Resolution
High Sensitivity**

Cohu's Model 4750 solid state monochrome CCD cameras are cost effective general purpose cameras ideally suited for applications that require both high sensitivity and high resolution. High resolution pictures are attainable without geometric distortion, lag, or image retention. The 1/2" format CCD (charge coupled device) image sensor of the Model 4750 generates sensitivity that closely matches that of standard silicon target imaging tubes. These capabilities, along with its inherent rugged design and minimal maintenance, make this camera superior to many existing CCD or tube cameras.

Weighing just 450 grams, the Model 4750 is ideally suited for a broad range of security/surveillance applications. To provide high sensitivity in low-light areas, the Model 4750 features automatic gain control (AGC). The Model 4750 uses the frame transfer method and over 400,000 picture elements to generate a high-resolution image.

As with all Cohu CCD cameras, the Model 4750 is designed and manufactured in the U.S.A. A leading U.S. manufacturer of closed-circuit television cameras for over 40 years, Cohu is based in San Diego, California.



Cohu 4750 Series CCIR Monochrome CCD Camera

FEATURES AND BENEFITS

- **High Resolution** with 1/2-inch format sensor for sharper images
- **High Sensitivity** improves image in low light levels
- **Zero Geometric Distortion** for consistent corner-to-corner linearity
- **Frame Transfer Imager** for minimized blooming characteristics
- **No Lag or Image Retention** for fast, clean, precise images
- **Wide Range of Options** for flexible system integration
- **AGC with Peak-Average Adjustment** for clear images in varying light conditions.
- **Low Power Consumption**
- **High Signal-to-Noise Ratio** provides better dynamic range
- **Auto Black** for contrast enhancement
- **Quality, State-of-the-Art Design and Construction** for total, solid-state reliability and long life
- **IR Sensitive** for use in IR applications.

APPLICATIONS

- **Perimeter Security**
- **General Surveillance**
- **Traffic Safety and Control**

Designed and manufactured in U.S.A.

COHU
INC
ELECTRONICS DIVISION

MODEL 4750 CCIR MONOCHROME CCD CAMERA

SPECIFICATIONS

ELECTRICAL

Pickup Area

6.4 x 4.8 mm (1/2-inch format)

Active Picture Elements

699(H) x 576(V) (frame transfer)

Number of Picture Cells

732(H) x 290(V)

Cell Size

9.2 μ m(H) x 16.8 μ m(V)

Resolution

Horizontal 525 TV lines

Vertical >415 TV lines

Sensitivity

2850 K faceplate illumination.

See Table 1.

Video Output

1.0 V p-p @75 ohms, unbalanced

Gamma

0.5 or 1.0 jumper selectable

AGC

6 dB variable gain, jumper selectable on/off, peak-average adjustable

Power Consumption

4.2W

Auto Black

Maintain set-up level at 7.5 \pm 5 IRE units if picture contains at least 10% black

Signal-to-Noise Ratio

52 dB at gamma 1, 0 dB

8 MHz bandwidth, unweighted

58 dB at gamma 1, 0 dB

weighted, CCIR

Auto Lens Drive Signal

Peak-average characteristic tracks

AGC adjustment to eliminate

AGC/auto lens interaction.

Synchronization

CCIR crystal, 13.375 MHz clock output (standard)

Genlock, external sync with crystal

zero crossing line lock back-up

(jumper selectable)

External H & V drive

Power Requirements

AC 230V \pm 10%, 50 Hz (optional, with wall transformer)

AC/DC 12V \pm 10%

AC/DC 24V \pm 5% (optional)

ENVIRONMENTAL

Ambient Temperature Limits

Operating: -10 to 50 °C

(14° to 122° F)

Storage: -30 to 70 °C

(-22° to 157° F)

Humidity

Up to 95% relative humidity

Vibration (less lens)

5 to 60 Hz with 0.082 inch total

excursion (15 g's @ 60 Hz). From

60 to 1000 Hz, 5 g's rms random

vibration without damage

Shock (less lens)

Up to 15 g's in any axis under

nonoperating conditions,

MIL-E-5400T, paragraph 3.2.24.6

Altitude

Sea level to equivalent of

3,048m/10,000 feet (508mm/20

inches of mercury)

MECHANICAL

Weight (less lens)

450 grams (15 ounces)

Dimensions

Please see Figure 1.

Camera Mount

1/4 - 20 threaded holes

Lens Mount

"C" mount, 16mm format

Connectors

BNC connector - Video Out

Switchcraft TB4M - Lens Drive

Switchcraft TB3M - Power In

Hirose SR30-10R-6S - Auxiliary

SENSITIVITY

With IR Filter

Without IR Filter

Full Video, AGC Off

0.12 fc (1.2 lux)

0.010 fc (0.10 lux)

Full Video, AGC On

0.06 fc (0.6 lux)

0.005 fc (0.05 lux)

Usable Picture, AGC On

0.02 fc (0.2 lux)

0.002 fc (0.02 lux)

Table 1

DIMENSIONS

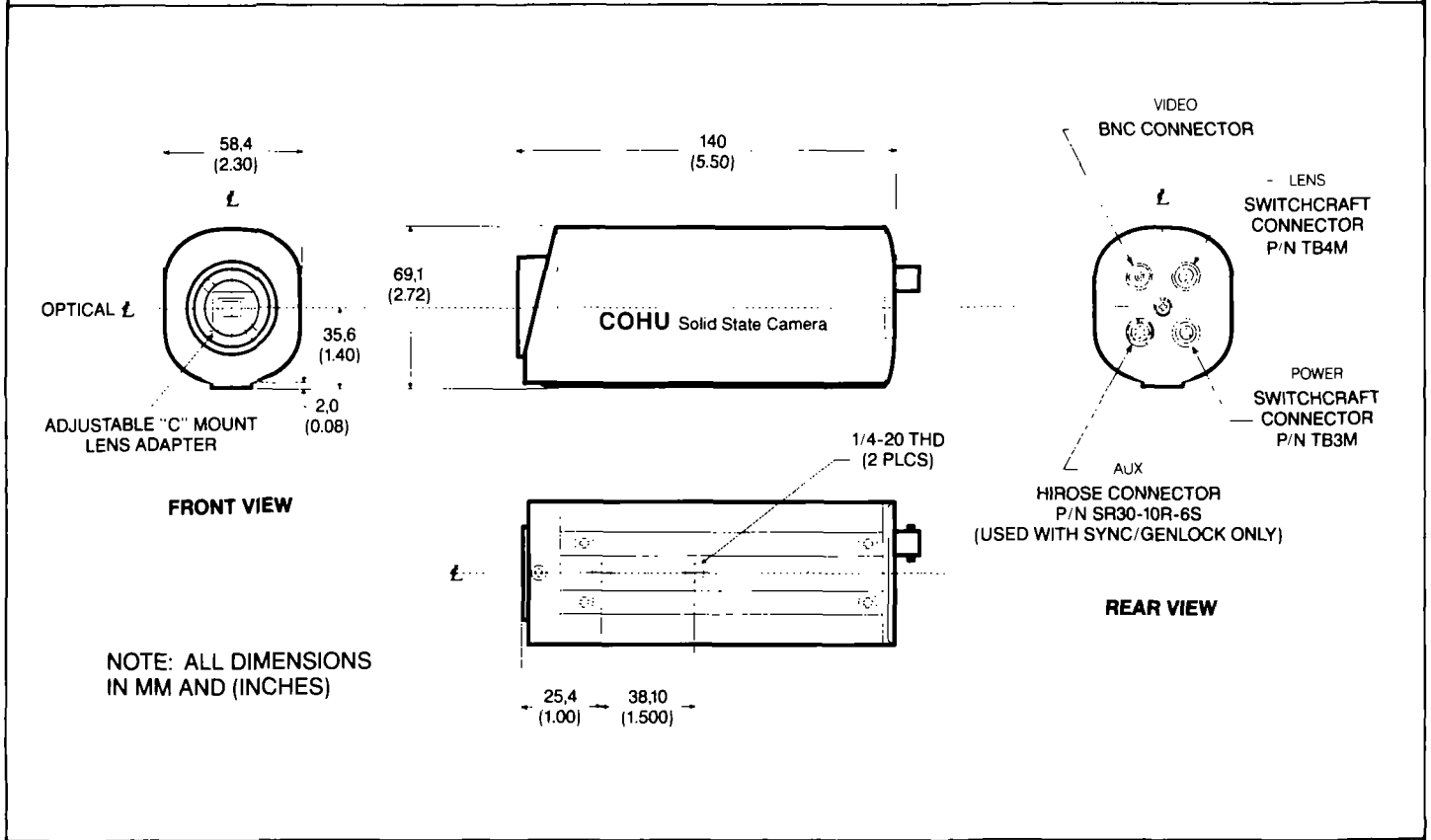
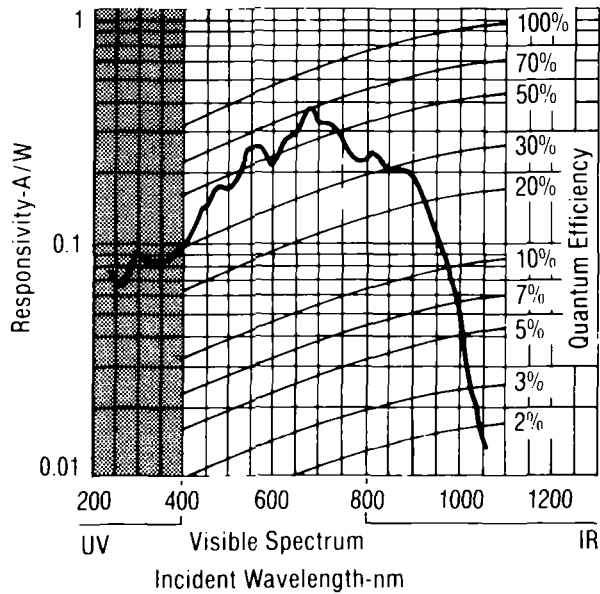
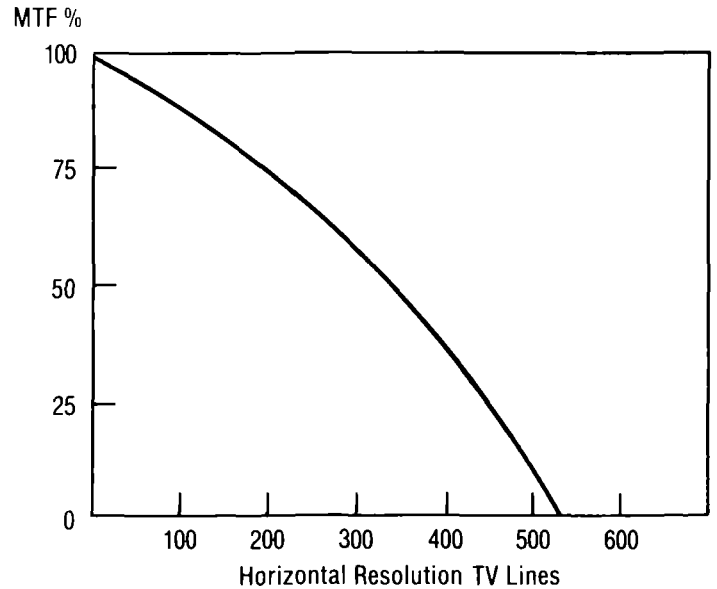


Figure 1

SPECTRAL RESPONSE



MODULATION TRANSFER FUNCTION CURVE



SHADED AREA INDICATES SPECTRAL RESPONSE WITH FACEPLATE REMOVED OR WITH A QUARTZ FACEPLATE INSTALLED. PLEASE CONSULT FACTORY FOR PRICES

MODEL 4750 CCIR MONOCHROME CCD CAMERA

ORDERING INFORMATION

475X

X

XXX

XXXX

Power Options

- 2 12V AC/DC 50Hz
- 3 230V AC, 50 Hz
- 4 24V AC/DC

Sync Options

- 2 Genlock
(Revert to crystal)
- 3 Genlock
(Revert to linelock)
- 5 CCIR Crystal
- 7 External H & V Drive

Optical Filter

- 000 None
- 100 IR Filter

Lens Options

- 0000 None

Manual Iris Lenses

- AL04 4.5mm, f/2.0 (2/3")
- AL06 6.5mm, f/1.8 (2/3")
- AL08 8mm, f/1.4 (2/3")
- AL09 9mm, f/1.3 (2/3")
- AL16 16mm, f/1.4 (2/3")
- AL26 25mm, f/1.6 (2/3")
- AL51 50mm, f/2.8 (2/3")
- AL75 75mm, f/1.8 (1")

Auto Iris Lenses

- ES05 4.8mm, f/1.8 (2/3")
- ES06 6mm, f/1.2 (1/2")
- ES08 8mm, f/1.4 (2/3")
- ES13 12 mm, f/1.2 (1/2")
- ES16 16mm, f/1.4 (2/3")
- ES28 28mm, f/1.2 (1/2")
- ES35 35mm, f/1.4 (2/3")

Please consult factory for other lens selections.

COHU RESERVES THE RIGHT TO CHANGE SPECIFICATIONS WITHOUT NOTICE.

OPTIONAL FEATURES

SYNC OPTIONS

The genlock board contains circuits to receive external input signals, including composite video, composite sync, and horizontal and vertical drive. These inputs are processed and supplied as reference signals to the genlock oscillator. In the absence of an externally applied signal, the camera is either crystal-locked or line locked, depending on the position of the crystal/linelock jumper. In the Linelock Mode, the camera synchronizes to an external 50 Hz reference derived from the AC power line. In the CCIR Crystal Mode, the internal crystal-controlled oscillator provides back-up. The H & V Drive Input Option allows the camera to synchronize to externally supplied horizontal- and vertical-drive signals.

IR FILTER

The 4750 Series is designed to be IR sensitive. For use in applications with undesirable IR conditions, the optional IR filter will cut off at 650 nm.



ADVANCED
VIDEO
TECHNOLOGY
Made in the U.S.A.

RS-170 MONOCHROME FRAME TRANSFER CCD CAMERAS

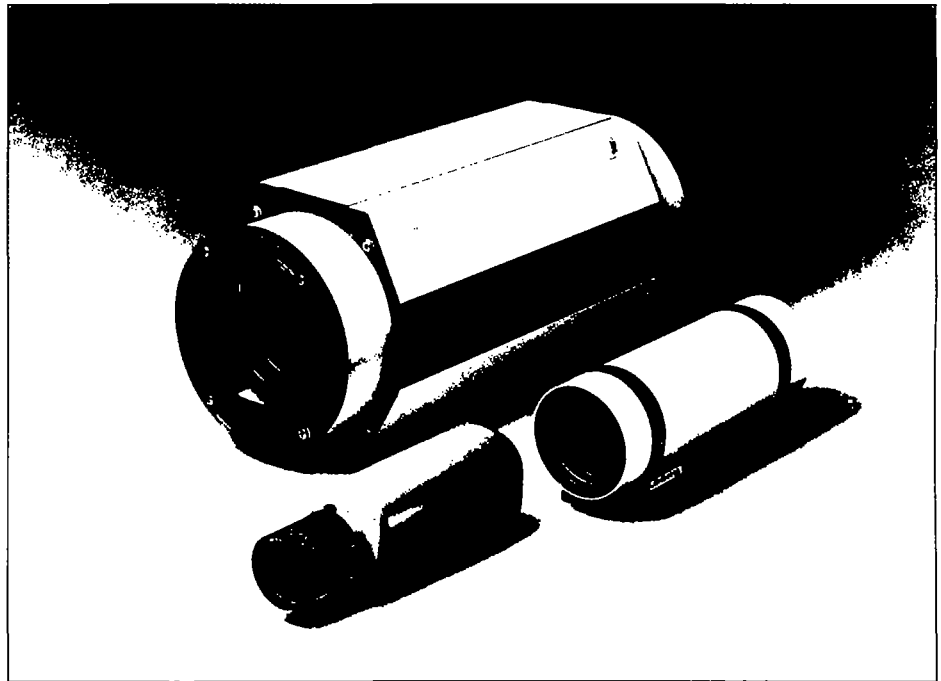
4800 SERIES

**High Resolution
High Sensitivity**

Cohu's 4800 Series RS-170 Monochrome Frame Transfer CCD cameras are ideal for applications that require both high resolution and high sensitivity. Currently installed in thousands of sites around the world, they support a wide range of security/surveillance and electronic imaging applications.

4800 Series CCD cameras are available in three different housings. The 4810 Series housing is designed for non-environmental security/surveillance, image processing, and other scientific or industrial applications. The 4830 Series and 4860 Series Environmental CCD Cameras are designed for harsh environment applications. They consist of a 4810 Series camera and lens installed in either a three-inch-diameter or six-inch-diameter sealed and pressurized environment-resistant housing. The six-inch housing will accommodate virtually any size zoom lens. An explosion-proof housing is also available as an option.

4800 Series cameras provide high resolution pictures without geometric distortion, lag, or image retention. They provide sensitivity comparable to that of standard silicon target image tube cameras, and very low contrast variation. These capabilities, along with their reliable, rugged design and low maintenance, make 4800 Series cameras the ideal solu-



Cohu 4800 Series Frame Transfer CCD Cameras

tion for high performance video requirements.

4800 Series cameras are designed and manufactured in U.S.A., and are backed by a full two-year warranty.

Cohu is uniquely positioned to respond quickly to special engineering

requests for custom or modified products. We also offer complete system engineering services.

A leading U.S. manufacturer of video cameras and systems for over 40 years, Cohu is based in San Diego, California.

FEATURES AND BENEFITS

- **Sealed, Pressurized Environmental Models** withstand exposure to extreme temperatures, sand, dust, fungus, and salt atmosphere.
- **High Resolution** with $\frac{2}{3}$ -inch format frame transfer image sensor for sharper images
- **High Sensitivity** improves image in low light levels.
- **Zero Geometric Distortion** for consistent corner-to-corner linearity
- **No Lag or Image Retention** for fast, clean, precise images
- **Wide Range of Options** for flexible system integration
- **Two-Year Warranty**
- **AGC with Peak-Average Adjustment** for clear images in varying light conditions.
- **High Signal-to-Noise Ratio** provides better dynamic range.
- **Auto Black** for contrast enhancement
- **Quality, State-of-the-Art Design and Construction** for total, solid-state reliability and long life
- **IR Sensitive** for use in IR applications
- **Over 367,000 Picture Elements**
- **Made in U.S.A.** — direct factory support, parts availability
- **Adjustable "C" Mount** for maximum lens adaptability

APPLICATIONS

- **Security/Surveillance**
Perimeter Security
Government and Military Facilities
Unmanned Storage Facilities
Nuclear Power Plants
Hazardous Waste Management
Correctional Facilities
- **EMI Environments**
Subways
High Voltage Areas
Linear Accelerators
NMR Units
- **Transportation Management**
Traffic Safety and Control
Bridges and Tunnels
Mass Transit
Airports and Train Stations
Fare Collection Points
- **Image Processing**

4800 SERIES MONOCHROME CCD CAMERAS

SPECIFICATIONS

ELECTRICAL

Imager

Single CCD using frame transfer method

Pickup Area

8.8 x 6.6 mm (2/3-inch format)

Active Picture Elements

754(H) x 244(V) (frame transfer)

Cell Size

11.5µm(H) x 27µm(V)

Resolution

Horizontal 565 TV lines

Vertical >350 TV lines

Sensitivity

2850 K faceplate illumination.

See Table 1 on back page.

Contrast Variation @25°C

<5% overall

Video Output

1.0 V p-p @75 ohms, unbalanced

Gamma

0.5 or 1.0 jumper selectable

Gray Scale

Renders all shades of gray on EIA

TV resolution chart, 1956

AGC

6 dB variable gain (peak-average adjustable)

Jumper selectable, On/Off.

Auto Black

Maintain set-up level at 7.5±5 IRE units if picture contains at least 10% black

Signal-to-Noise Ratio @25°C

50 dB at gamma 1, 0 dB gain

8 MHz bandwidth, unweighted

55 dB at gamma 1, 0 dB gain, weighted

Auto Lens Drive Signal

Peak-average characteristic tracks

AGC adjustment to eliminate

AGC/auto lens interaction.

Synchronization

EIA RS-170 crystal, 14.31818 clock output (standard)

Genlock, external sync with crystal or line lock back-up (jumper selectable)

Phase adjustable line lock

(4830/4860 Series only)

External H & V drive

Power Requirements

AC/DC 12V ±10%

AC/DC 24V ±5%

AC 115/230V ±10%, 50/60 Hz

with wall transformer for 4810

Power Consumption

4.2W

4830 Heater: 35W

4860 Heater: 50W

4810 SPECIFICATIONS

ENVIRONMENTAL

Ambient Temperature Limits

Operating: -10 to 50 °C

(14° to 122° F)

Storage: -30 to 70 °C

(-22° to 157° F)

Humidity

Up to 95% relative humidity

Vibration (less lens)

5 to 60 Hz with 0.082 inch total excursion (15 g's @ 60 Hz). From

60 to 1000 Hz, 5 g's rms random

vibration without damage

Shock (less lens)

Up to 30 g's in any axis under

nonoperating conditions,

MIL-E-5400T, paragraph 3.2.24.6

Altitude

Sea level to equivalent of

3,000m/10,000 feet (500mm/20 inches of mercury)

MECHANICAL

Weight (less lens)

450 grams (15 ounces)

Dimensions

Please see dimensional drawings

Camera Mount

1/4 - 20 threaded holes

Lens Mount

"C" mount, 16mm format

Connectors

BNC connector - Video Out

Switchcraft TB4M - Lens Drive

Switchcraft TB3M - Power In

Hirose SR30-10R-6S - Auxiliary

4830 & 4860 SPECIFICATIONS

ENVIRONMENTAL

Ambient Temperature Limits

Operating:

-10 to 60°C (14 to 140°F)

-40 to 60°C (-40 to 140° F)

with optional heater

Storage:

-30 to 70°C (-22 to 157°F)

Ambient Air Pressure

Two atmospheres (sea level) to equivalent of 100,000 feet (3,000 meters), exceeding MIL-E-5400T paragraph 3.2.24.2, Class 3

Humidity

Up to 100% relative humidity, MIL-E-5400T paragraph 3.2.24.4.

Equipped with standard Schrader tank valve (purge fitting) on camera housing to allow camera to be purged with dry nitrogen or other moisture eliminators, and to maintain housing interior at approximately 5 psi.

Vibration — 4830

50 to 60 Hz with 0.020 inches total excursion (3.5 g's @ 60 Hz). From

60 to 1,000 Hz, 3 g's rms random vibration without damage

Vibration — 4860

0.03 inches total excursion from 5 to 30 Hz; peak random vibrations of

5 g's from 30 to 1,000 Hz without damage or degradation

Shock

30 g's in any axis under non-operating conditions per MIL-E-5400T paragraph 3.2.24.6.

Air Contaminants

Withstands exposure to sand, dust, fungus, and salt atmosphere, per MIL-E-5400T, paragraph 3.2.24.7, 3.2.24.8, and 3.2.24.9

Explosion

MIL-E-5400T, paragraph 3.2.24.10

Acoustic Noise

Operates in extremely high acoustic noise environment (150 dB), e.g., close proximity to high thrust rocket engine

Underwater Operation

Camera operates to 60 feet in depth (18 meters) with factory installed connector option

MECHANICAL

Weight (less lens)

4832 --- 3 lbs.

4835 --- 4 lbs

4860 --- 14 lbs.

Type of Lens

A full range of C-mount fixed, auto-iris, and zoom lenses is available.

Purge/Relief Fitting

Pressure relief valve (4860 only)

Pressurized Fitting

Standard Schrader Valve

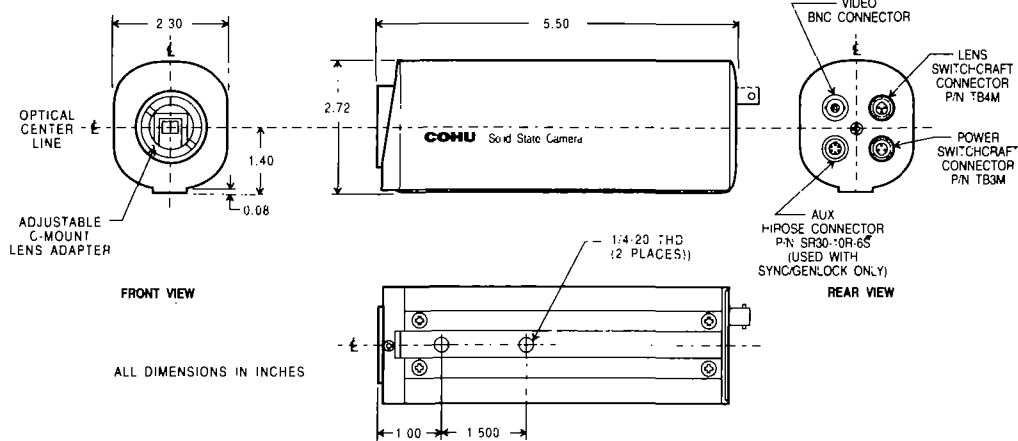
Rear Plate Connectors

4830 --- Bendix PT07C-14-18P

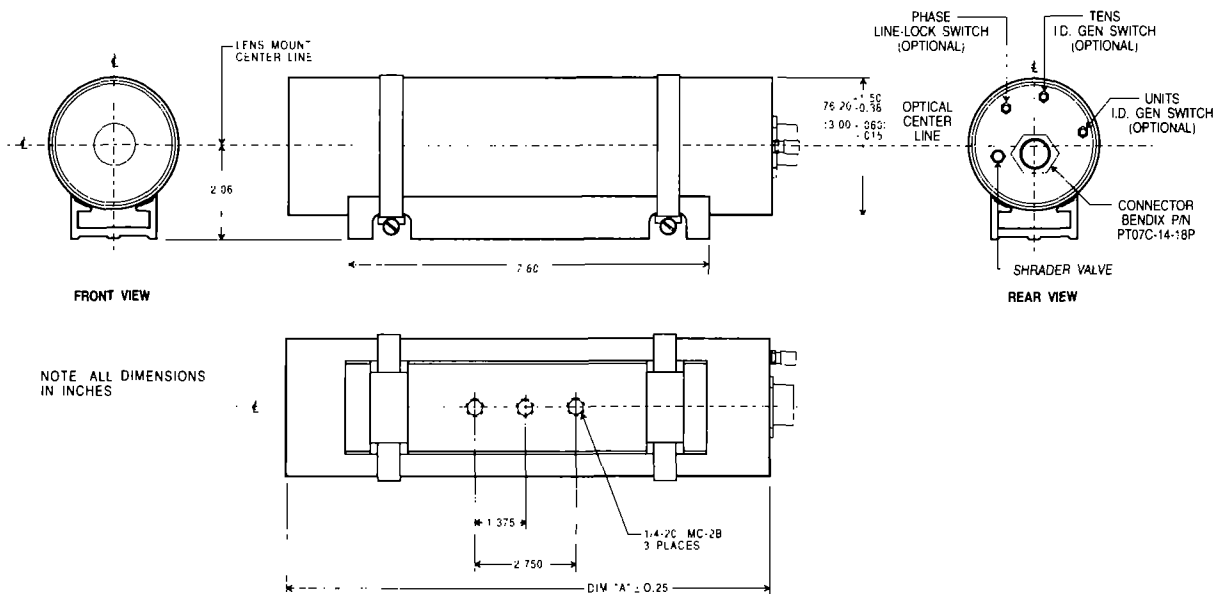
4860 --- Bendix PT07C-20-39P

(Mating Connector Supplied. All functions controlled through single connector.)

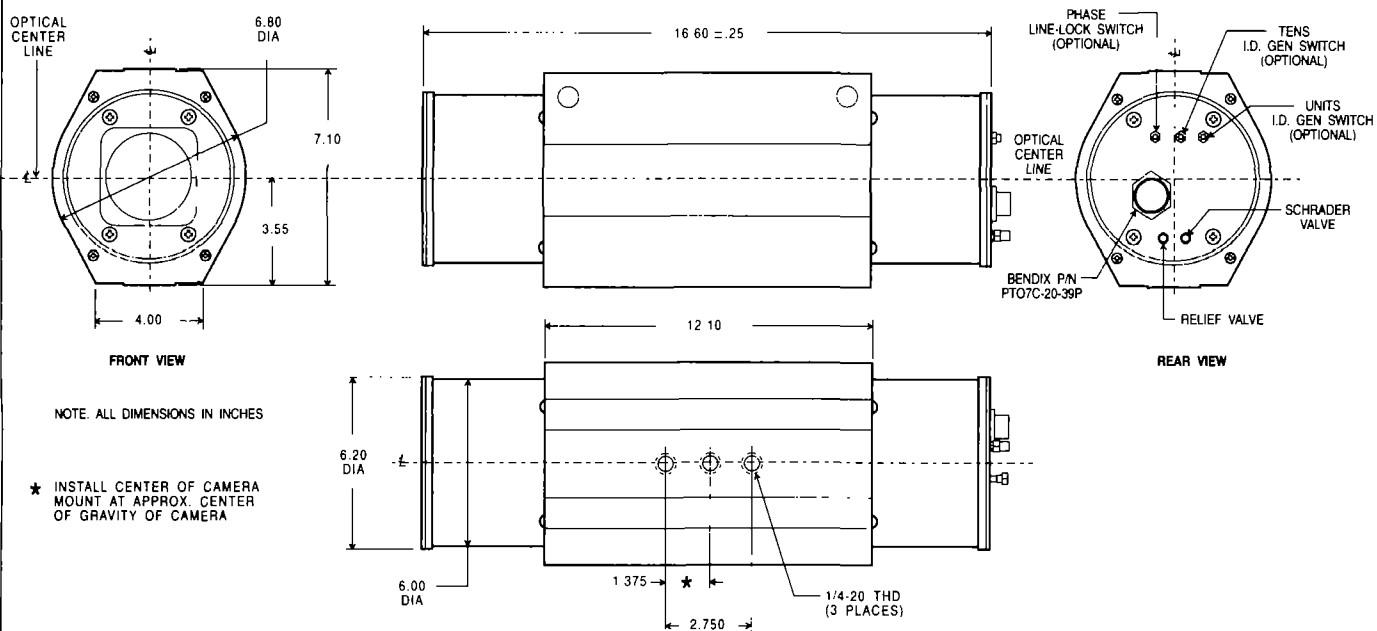
4810 SERIES DIMENSIONS



4830 SERIES DIMENSIONS



4860 SERIES DIMENSIONS



4800 SERIES MONOCHROME CCD CAMERAS

ORDERING INFORMATION

48X	X — X	X	XX	/ XXXX	X	
Housing Options	Power Options	Sync Options	Optical Filter	Option Boards	Lens Options	Other Options
1 General Purpose 3 3' Environmental 6 6' Environmental	2 12V ac/dc 4 24V ac/dc 5 115V ac, 60 Hz (4810 Series supplied with ac wall adapter)	2 Genlock (Revert to crystal) 3 Genlock (Revert to linelock) 4 Phase Adjustable Line Lock (4830 and 4860 ac models only) 5 RS-170 Crystal 7 External H & V Drive	000 None 100 IR Filter	00 None *40 Bright Light Limiter *50 Source I.D. Generator *54 Source I.D. Generator and Bright Light Limiter * 4830/4860 only	0000 None Manual Iris Lens (4810 Series Only) AL09 9mm, f/1.4, 2/3" AL12 12mm, f/1.4, 1" AL16 16mm, f/1.4, 2/3" AL25 25mm, f/1.4, 1" AL50 50mm, f/1.8, 1" AL75 75mm, f/1.8, 1" Auto Iris Lens ES05 4.8mm, f/1.8, 2/3" ES08 8mm, f/1.4, 2/3" ES12 12.5mm, f/1.4, 1" ES16 16mm, f/1.4, 2/3" ES25 25mm, f/1.4, 1" EH35 35mm, f/1.4, 2/3" ES50 50mm, f/1.8, 1" EH75 75mm, f/1.8, 1" **Zoom Lenses (4860 Series Only) Z06J 6:1, 11.5--10mm, f/1.4, 2/3" P06J 6:1 with presets, f/1.4, 2/3" Z10H 10:1, 10--100mm, f/1.4, 2/3" P10J 10:1 with presets, f/1.4, 2/3"	L Low Temperature Operation For Sunshields 4830, use SS-300 4860, use SS-522 For Remote Control Use 2380-090 CA-246 (4830 cable) CA-294 (4860 cable)



All models UL listed except 4835 and 4865

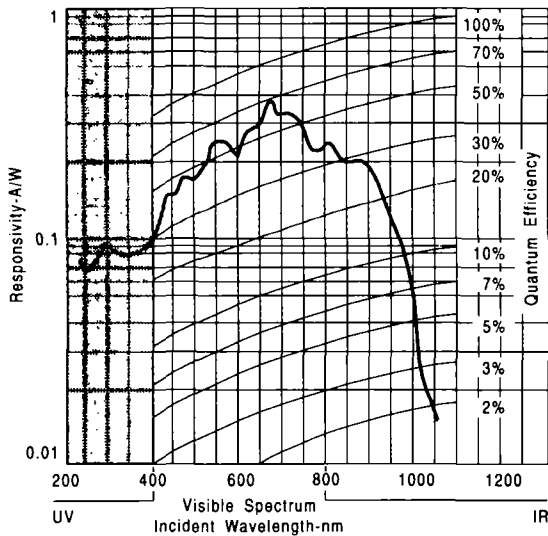
** Available on 24V ac models only as an "ER". Please consult factory for other lens selections.

COHU RESERVES THE RIGHT TO CHANGE SPECIFICATIONS WITHOUT NOTICE.

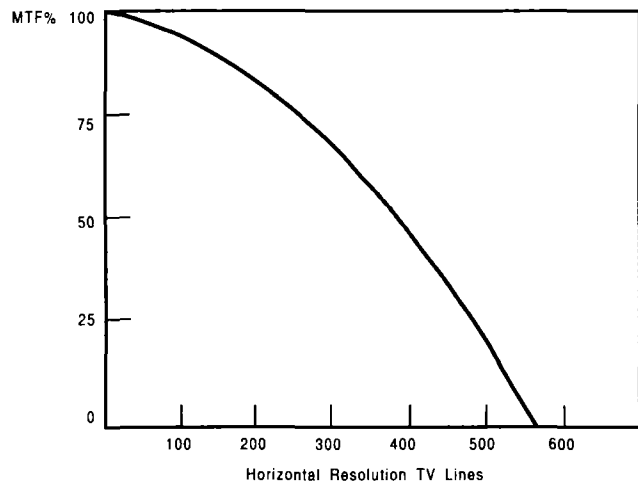
	SENSITIVITY	
	With IR Filter	Without IR Filter
Full Video, AGC Off	0.2 fc (2 lux)	0.02 fc (0.2 lux)
80% Video, AGC On	0.07 fc (0.7 lux)	0.007 fc (0.07 lux)
30% Video, AGC On	0.02 fc (0.2 lux)	0.002 fc (0.02 lux)

Table 1

SPECTRAL RESPONSE



MODULATION TRANSFER FUNCTION



**TWO-YEAR
WARRANTY!**

SOLID-STATE CCD MONOCHROME CAMERA

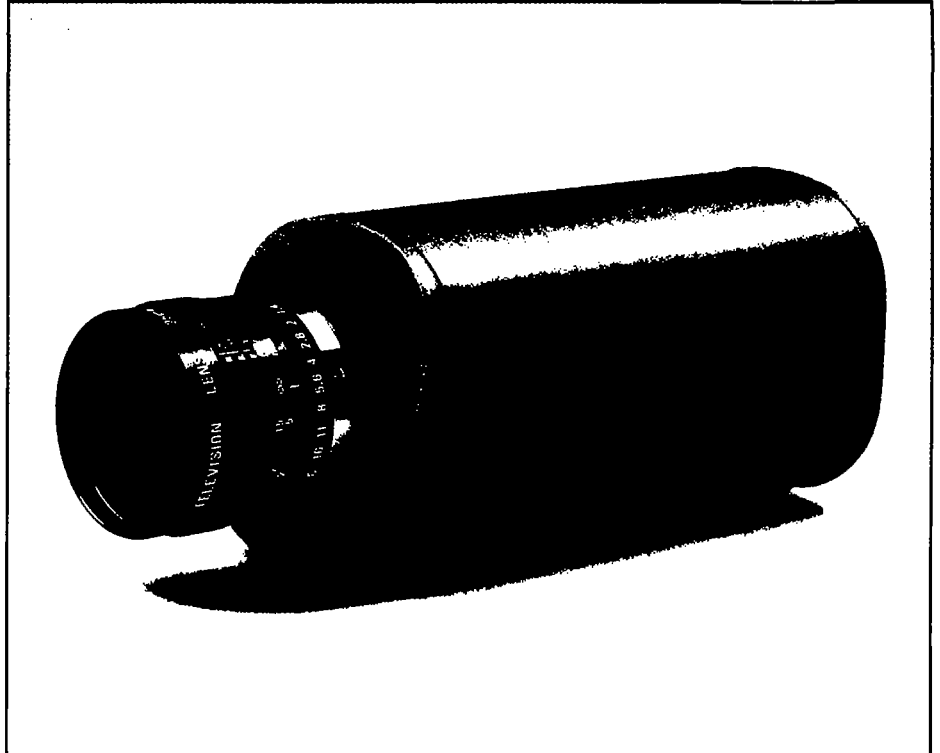
MODEL 4810

**High Resolution and
High Sensitivity**

The Model 4810 solid-state cameras are ideal for applications that require both high resolution and high sensitivity. High resolution pictures are attainable without geometric distortion, lag or image retention. The 2/3-inch format CCD (Charge Coupled Device) image sensor of the Model 4810 generates sensitivity that closely matches standard silicon target imaging tubes. These capabilities, along with its inherent rugged design and minimal maintenance, make Cohu's Model 4810 superior to existing CCD or tube cameras.

Weighing just 15.5 ounces, the Model 4810 is suited for numerous applications including machine vision, image processing, robotics, process control and microscopy.

Automatic gain control (AGC) is incorporated in Cohu's Model 4810 to provide high sensitivity for use in low-light areas. The 4810 utilizes the frame transfer method and over 365,000 picture elements to generate a high resolution image with a contrast variation of <5%. Low power consumption allows flexible system integration and easy operation.



Cohu Model 4810 Solid-State CCD Monochrome Camera

OPTIONS

- **Synchronization**
Genlock/Crystal
Genlock/Line Lock
Phase Adjust Line Lock
RS-170 Crystal
External H & V Drive
- **IR Filter**

FEATURES

- **High Resolution**
754(H) x 488 (V) Picture Elements
- **High Sensitivity**
(to .007fc/.07 Lux)
- **Auto Black for Wide Dynamic Range or Manual Adjustable**
- **AGC with Peak-Average Adjustment or Fixed Gain with Manual Adjustment**
- **Zero Geometric Distortion**
- **Selectable Gamma**
- **No Lag or Image Retention**
- **Low Power Consumption**
- **Blemish-Free Sensor**
- **Over 365,000 Picture Elements**
- **Adjustable C Mount**

APPLICATIONS

- **Machine Vision**
Pattern Recognition
Non-Contact Measurement and Inspection
Bar Code Reading
Image Processing
- **Robotics**
Automated Visual Control
- **EMI Environments**
Subways
High Voltage Areas
Linear Accelerators
NMR Units
- **Remote Piloted Vehicles**
Land Based, Aircraft,
Submersibles
- **Microscopy**
- **Medical Imaging**
- **Security/Surveillance**

4810 SERIES MONOCHROME CCD CAMERAS

SPECIFICATIONS

ELECTRICAL

Imager

Single CCD using frame transfer method

Pickup Area

8.8 x 6.6 mm ($\frac{2}{3}$ -inch format)

Active Picture Elements

754(H) x 488(V) (frame transfer)

Cell Size

11.5 μ m(H) x 27 μ m(V)

Resolution

Horizontal 565 TV lines
Vertical >350 TV lines

Sensitivity

2850 K faceplate illumination.
See Table 1 below.

Contrast Variation @25°C

<5% overall

Video Output

1.0 V p-p @75 ohms, unbalanced

Gamma

0.5 or 1.0 jumper selectable

Gray Scale

Renders all shades of gray on EIA TV resolution chart, 1956

AGC

6 dB variable gain (peak-average adjustable)
Jumper selectable, On/Off.

Auto Black

Maintain set-up level at 7.5 \pm 5 IRE units if picture contains at least 10% black

Signal-to-Noise Ratio @25°C

50 dB at gamma 1, 0 dB gain
8 MHz bandwidth, unweighted
55 dB at gamma 1, 0 dB gain, weighted

Auto Lens Drive Signal

Peak-average characteristic tracks
AGC adjustment to eliminate AGC/auto lens interaction.

Synchronization

EIA RS-170 crystal, 14.31818 clock output (standard)
Genlock, external sync with crystal or line lock back-up (jumper selectable)
External H & V drive

Power Requirements

AC/DC 12V \pm 10%
AC/DC 24V \pm 5%
AC 115/230V \pm 10%, 50/60 Hz with wall transformer

Power Consumption

4.2W

ENVIRONMENTAL

Ambient Temperature Limits

Operating: -10 to 50 °C
(14° to 122° F)

Storage: -30 to 70 °C
(-22° to 157° F)

Humidity

Up to 95% relative humidity

Vibration (less lens)

5 to 60 Hz with 0.082 inch total excursion (15 g's @ 60 Hz). From 60 to 1000 Hz, 5 g's rms random vibration without damage

Shock (less lens)

Up to 30 g's in any axis under nonoperating conditions, MIL-E-5400T, paragraph 3.2.24.6

Altitude

Sea level to equivalent of 3,000m/10,000 feet (500mm/20 inches of mercury)

MECHANICAL

Weight (less lens)

450 grams (15 ounces)

Dimensions

Please see dimensional drawings

Camera Mount

$\frac{1}{4}$ - 20 threaded holes

Lens Mount

"C" mount, 16mm format

Connectors

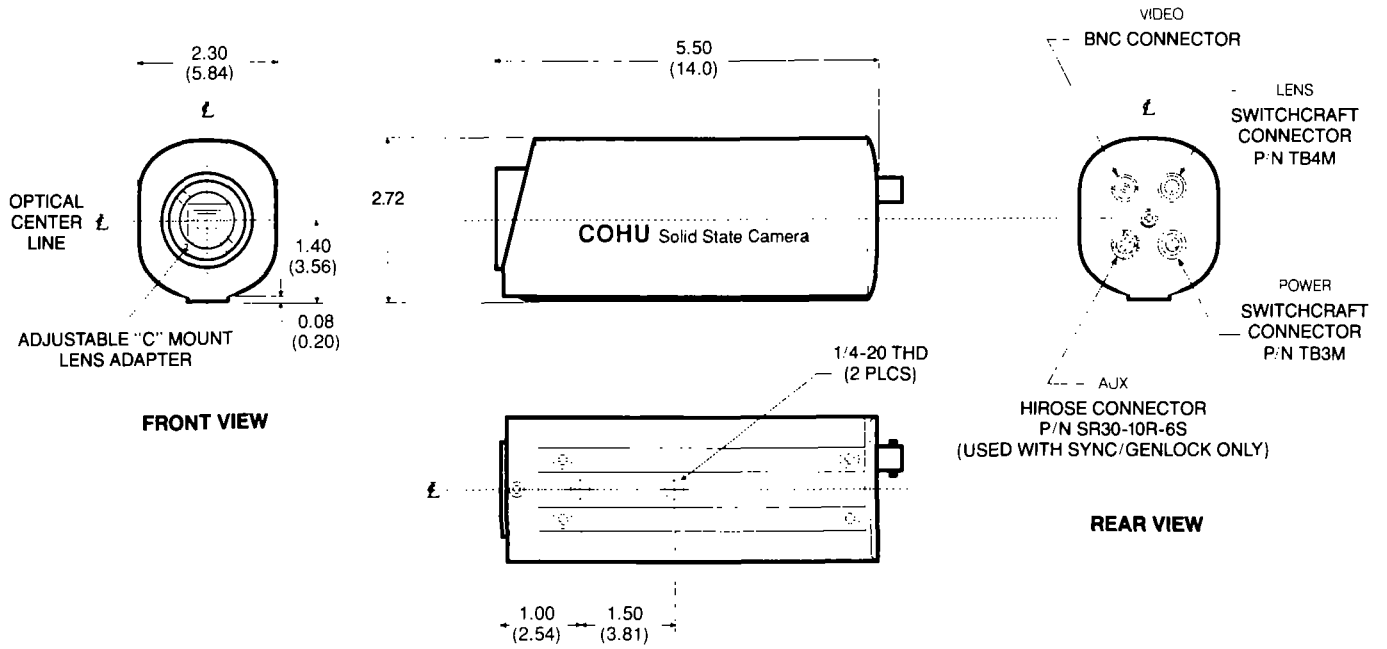
BNC connector - Video Out
Switchcraft TB4M - Lens Drive
Switchcraft TB3M - Power In
Hirose SR30-10R-6S - Auxiliary

SENSITIVITY

	With IR Filter	Without IR Filter
Full Video, AGC Off	0.2 fc (2 lux)	0.02 fc (0.2 lux)
80% Video, AGC On	0.07 fc (0.7 lux)	0.007 fc (0.07 lux)
30% Video, AGC On	0.02 fc (0.2 lux)	0.002 fc (0.02 lux)

Table 1

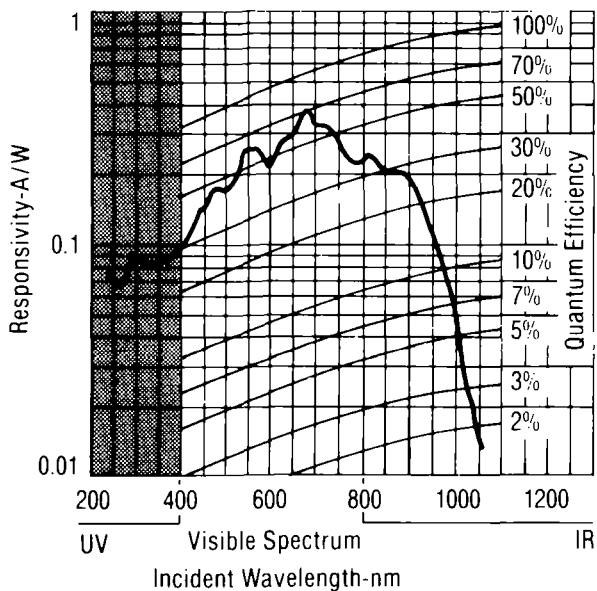
DIMENSIONS



NOTE: ALL DIMENSIONS IN INCHES AND (CM).

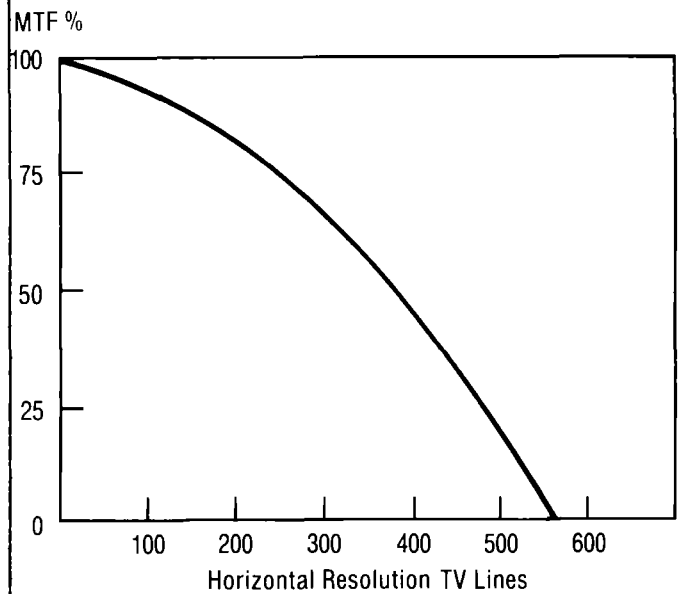
Figure 1

SPECTRAL RESPONSE



SHADED AREA INDICATES SPECTRAL RESPONSE WITH FACEPLATE REMOVED OR WITH A QUARTZ FACEPLATE INSTALLED. PLEASE CONSULT FACTORY FOR PRICES.

MODULATION TRANSFER FUNCTION



MODEL 4810 SOLID-STATE MONOCHROME CCD CAMERA

ORDERING INFORMATION

481X	—	X	XXX	/	XXXX
Power Options		Sync Options	Optical Filter		Lens Options
2 12V ac/dc 4 24V ac/dc 5 115V ac, 60 Hz Note: 12V and 24V models include power mating connector. Model 4815 is the same as Model 4812 with an external 12V dc power pack.		*2 Genlock (Revert to crystal) *3 Genlock (Revert to line lock) 5 RS-170 Crystal *7 H & V Drive * Includes Genlock, line lock, external H & V drive, and clock output	000 None 100 IR Filter		0000 None Manual Iris Lenses AL09 9mm, f/1.4, 2/3" AL12 12.5mm, f/1.4, 1" AL16 16mm, f/1.4, 2/3" AL25 25mm, f/1.4, 1" AL50 50mm, f/1.4, 1" AL75 75mm, f/1.8, 1" Auto Iris Lenses* ES08 8mm, f/1.4, 2/3" ES12 12.5mm, f/1.4, 1" ES16 16mm, f/1.4, 2/3" ES25 25mm, f/1.4, 1" ES50 50mm, f/1.8, 1" EH75 75mm, f/1.8, 1" * Auto iris lenses require lens connector P/N 1310356-104, which must be ordered separately when customer supplies own lens.



Warranty: Two years on CCD cameras; one year on lenses.

COHU RESERVES THE RIGHT TO CHANGE SPECIFICATIONS WITHOUT NOTICE.

OPTIONAL FEATURES

POWER OPTIONS

The Model 4810 camera requires AC or DC 12V or 24V input power. For operation from a 115/230 VAC 50/60 Hz power source, an optional AC power pack is available.

OPTICAL FILTER

The Model 4810 is designed to be IR sensitive. For use in applications with undesirable IR conditions, the optional IR filter will cut off at 650nm.

LENS OPTIONS

In addition to the lenses listed above, Cohu provides a complete selection of lenses for specialized applications. Our applications engineers will help you determine the proper field-of-view, focal length, lens speed (f-stop), and size (image sensor format) for your application.

SYNC OPTIONS

The standard sync board contains a RS-170 crystal-controlled oscillator to generate a 14.31818 MHz reference frequency. A sync generator IC shapes the repetitive timing pulses used to control the movement of charge frames on the sensor board. This board also contains circuits to generate blanking, clamp, and sync pulses. These signals combine with the video signal on the video board to produce composite monochrome video.

The genlock board contains additional circuits to receive external input signals, including composite video, composite sync, and horizontal and vertical drive. These inputs are processed and supplied as reference signals to the genlock oscillator. In the absence of an externally applied signal, the camera is either crystal locked or line locked, depending on the position of the crystal/line lock jumper. In the Line-Lock Mode, the camera synchronizes to an external 60 Hz reference derived from the AC power line. In the RS-170 Crystal Mode, the internal crystal-controlled oscillator provides back-up. The H and V Drive Input option allows the camera to synchronize to externally supplied horizontal- and vertical-drive signals.

SPECIAL FEATURES

Cohu welcomes the opportunity to provide special features to better serve your particular application. Some examples of special features include a 10dB S/N increase for 60dB total signal-to-noise ratio; custom painting, silk screen and logo; remote head with 6' cable; imager faceplate removal for laser applications; imager tilt with customer-specified degree; and special connector pin configurations. Please contact Cohu for other special features.

**MICROLENS SENSOR
TECHNOLOGY!**

HIGH PERFORMANCE MONOCHROME CCD CAMERA

4910 SERIES

**High Resolution
1/2" On-Chip-Microlens Interline Transfer**

The 4910 Series High Performance Monochrome 1/2" CCD Cameras from Cohu offer high resolution and high sensitivity for use in a broad range of security/surveillance, scientific, and industrial video applications.

The 4910 Series cameras feature a 1/2"-format on-chip microlens sensor, which reduces dark current, lag, and blooming, while improving dynamic range and spectral characteristics. For video applications prone to streaking problems, a 1000:1 overload capability allows transmission of clear video signals even when bright incidental light is present in the scene.

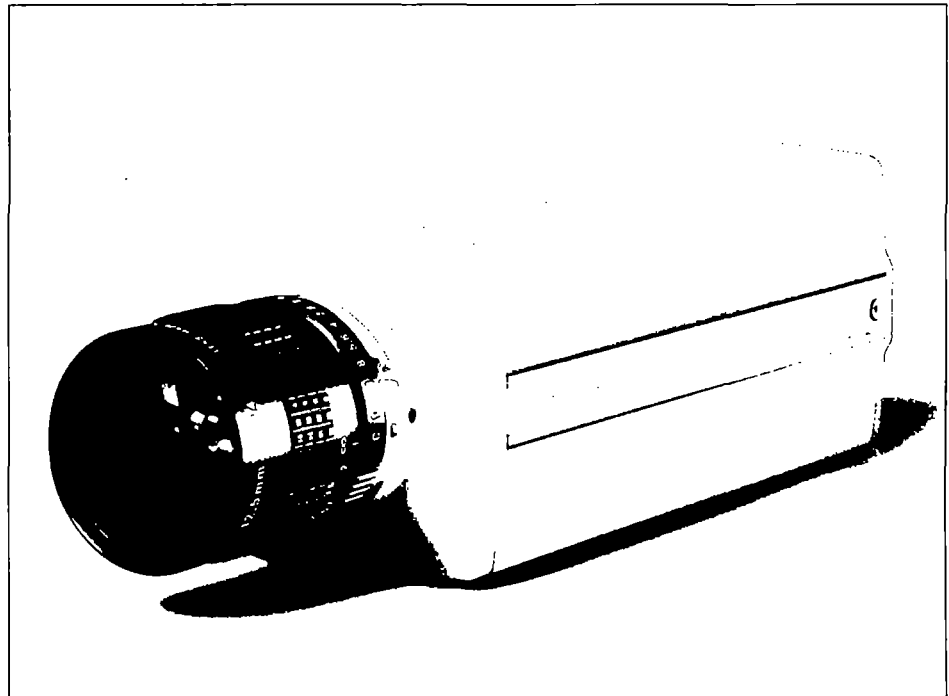
The 4910 Series design also incorporates a removable trim plate for side panel access to controls such as gamma, electronic shutter, and gain.

Available in RS-170 and CCIR models, the 4910 Series cameras feature 26 dB of AGC for high sensitivity in low light-level applications. They are rugged, yet lightweight and compact, making them ideal for easy system integration. And 4910 Series cameras are backed by a full two-year warranty.

A leading U.S. manufacturer of closed circuit video cameras and systems for more than 40 years, we welcome requests for special products and complete CCTV systems.

APPLICATIONS

- **Security/Surveillance**
 - Military Installations
 - Nuclear Power Plants
 - Hazardous Waste Management
 - Traffic Management
 - Airports
 - Mass Transit Systems
 - Radar Tracking Systems
- **Image Processing**
- **Machine Vision**
- **Process Control**
- **Quality Control**
- **Image Analysis**



Cohu 4910 Series Monochrome 1/2" High Performance Interline Transfer CCD Camera

FEATURES AND BENEFITS

- **High Resolution** — for better definition, error-free results
- **Side-Panel Controls** provide convenience and precision
- **1/2" On-chip-microlens Interline Transfer Imager** virtually eliminates overload streaking, improves dynamic range
- **Eight-Speed Electronic Shutter** reduces blurred images of fast-moving objects
- **High Sensitivity** permits operation over a broad range of light levels
- **Choice of Synchronization Options** for greater versatility
- **High Signal-to-Noise Ratio** for clear, noise-free video
- **Asynchronous Reset** provides random vertical reset capability for production line applications
- **Optional Electronic Iris** automatically controls exposure from 1/60 sec. to 1/15,000 sec.
- **Blemish-Free Imager** — no dead pixels
- **Made in U.S.A.** — direct factory support
- **1000:1 Overload Capability** permits incidental light overloads up to ten times that of other CCD cameras
- **No Lag or Image Retention** — provides fast, clean, precise images
- **Zero Geometric Distortion** for consistent corner-to-corner linearity
- **26 dB AGC** for increased sensitivity at low light levels
- **Optional IR Filter**
- **"C" or "CS" Lens Mount** expands your choice of lenses
- **Top or Bottom Mounting** for easy installation
- **State-of-the-Art Design and Construction** for total, solid-state reliability and long life
- **Choice of RS-170 or CCIR Models**
- **Two-Year Warranty**

4910 HIGH PERFORMANCE MONOCHROME CCD CAMERA

ELECTRICAL	
Image Area 6.4 x 4.8 mm (corresponding to 1/2" image tube)	AGC 26 dB, variable gain
Active Picture Elements RS-170: 768H x 494V CCIR: 752H x 582V	Signal-to-Noise Ratio ≥56 dB at gamma 1, gain 0 dB 38 dB at gamma 1, AGC On
Imager Type On-chip microlens sensor interline transfer CCD	Auto Lens Separate lens video ratio tracks AGC peak/average adjustment to eliminate AGC/auto lens interaction
Cell Size RS170: 8.4 x 9.8 microns CCIR: 8.6 x 8.3 microns	Power: +15V, 35 mA maximum
Resolution RS170: 580 horizontal TVL, ≥350 vertical TVL CCIR: 560 horizontal TVL, 450 vertical TVL	Synchronization Genlock, revert to variable phase line lock with zero crossing detector Genlock, revert to crystal Crystal Lock H & V Drive
Sensitivity (faceplate) @2850 K Please see Table 1.	Asynchronous Reset Internal Clock Speeds RS170: 28.6363 MHz CCIR: 28.375 MHz
Electronic Shutter Eight steps from 1/50 or 1/60 to 1/10,000 second (1/50 or 1/60, 1/125, 1/250, 1/500, 1/1,000, 1/2,000, 1/4,000, 1/10,000 second)	Power Requirements 12V ac or dc (standard) 24V ac or dc (optional) 115V ac (optional on RS-170 models, includes wall transformer and connector) 230V ac (optional on CCIR models, includes wall transformer and connector) 4.2 watts dc power consumption LED Power Indicator, Green
Integration Integration period controllable through external input pulse Grab pulse output Field (1/60 or 1/50 second) or Frame (1/30 or 1/25 second) integration selected by internal jumper	
Video Output 1.0 V p-p @75 ohms, unbalanced	
Gamma variable 0.45 to 1.0	

MECHANICAL
Dimensions (less lens) Please see Figure 1.
Weight (less lens) 18.5 ounces (0.52 kg)
Lens Mount "CS" mount, 16mm format "C" mount with adapter (furnished)
Camera Mounts 1/4 - 20 threaded holes, top and bottom
Connectors Video (BNC) Power (2 circuit screw terminal) Lens (3 pin Mini-DIN) External Sync (8 pin DIN) Pin 1. External Vertical Trigger In Pin 2. External Sync/Horizontal Trigger In Pin 3. Grab Pulse Out (-) Pin 4. Ground Pin 5. Ground Pin 6. Vertical Reset In Pin 7. Grab Pulse Out (+) Pin 8. Integrate Input

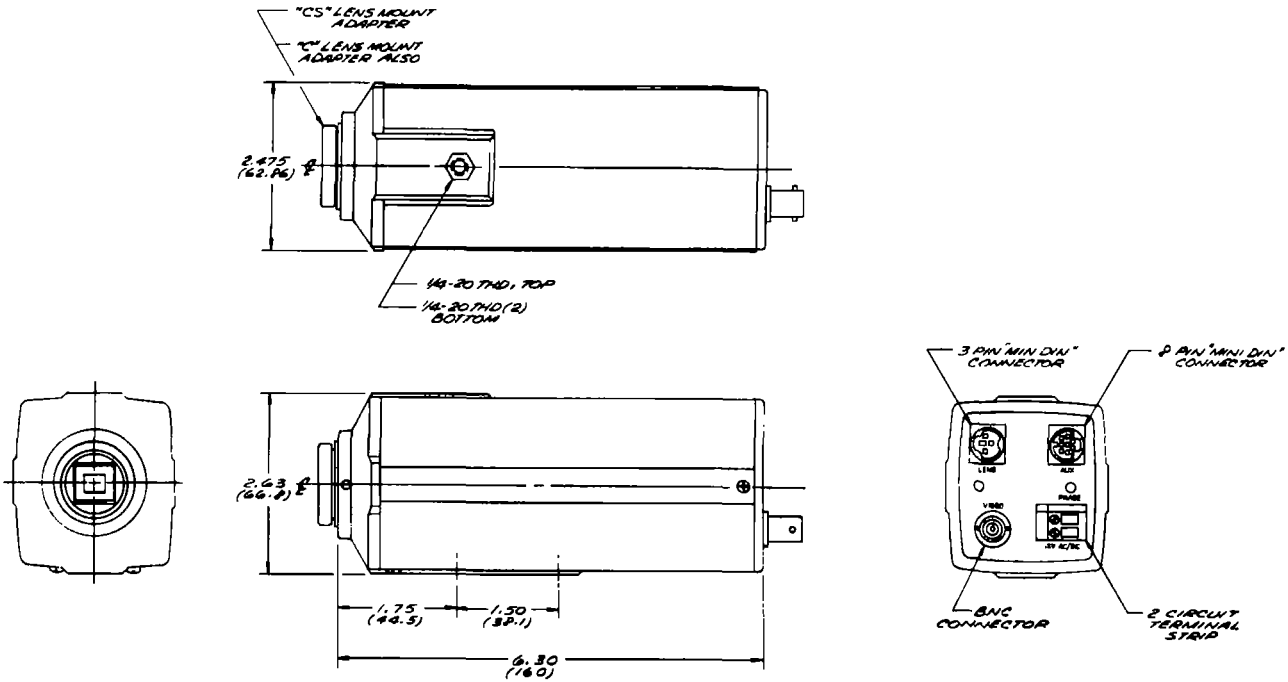
ENVIRONMENTAL
Ambient Temperature Limits Operating: -20 to 60°C (-4 to 140°F) Storage: -30 to 70°C (-22 to 187°F)
Humidity Up to 95% relative humidity
Vibration Sine vibration from 10 to 2,000 Hz, 5G peak, all 3-axis, 1/2 hour per axis per MIL-E-54007, para. 3.2.24.5.1.2, fig. 2, curve IIIA. Random vibration from 10-2,000 Hz, 11G RMS all 3-axis, 1/2 hour per axis, meets MIL-E-5400T, para. 3.2.24.5.1.2A, category 6.
Shock Up to 15 G in any axis under nonoperating conditions.

SENSITIVITY		
	Full Spectrum	With IR Filter
Full Video. No AGC	0.065 fc (.65 lux)	0.25 fc (2.5 lux)
80% Video. AGC On (20 dB)	0.002 fc (.02 lux)	0.01 fc (0.1 lux)
30% Video. AGC On	0.0004 fc (0.004 lux)	0.0015 fc (0.015 lux)

Table 1

This model has been tested and found to comply within the FCC limits for Class "B."

4910 SERIES DIMENSIONS



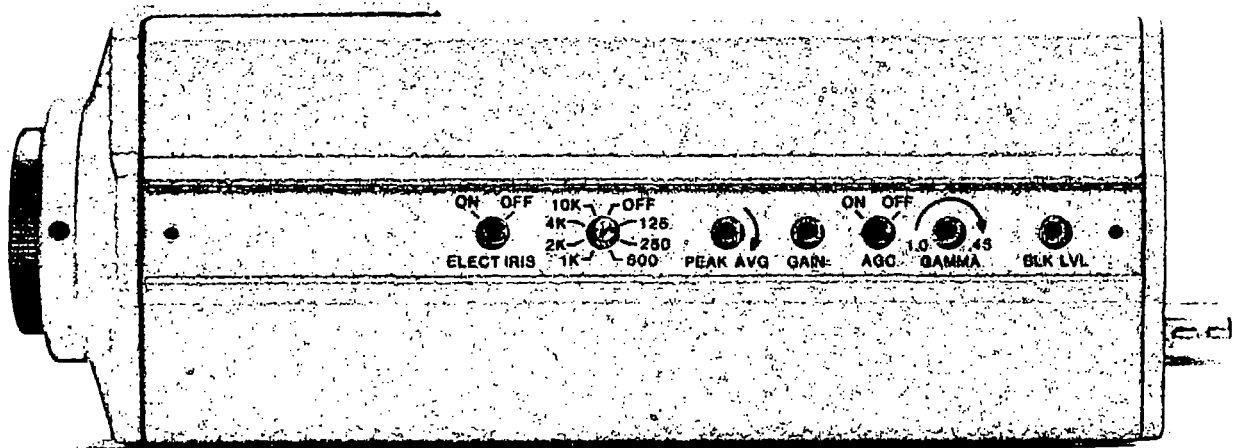
NOTE: DIMENSIONS IN INCHES (MM)

Figure 1

SIDE PANEL CONTROLS

An easily removable trim plate allows access to the following side-panel controls:

- Electronic Iris ON/OFF
- Eight-Step Shutter Timing
- AGC Peak/Average
- Gain
- AGC ON/OFF
- Gamma
- Black Level



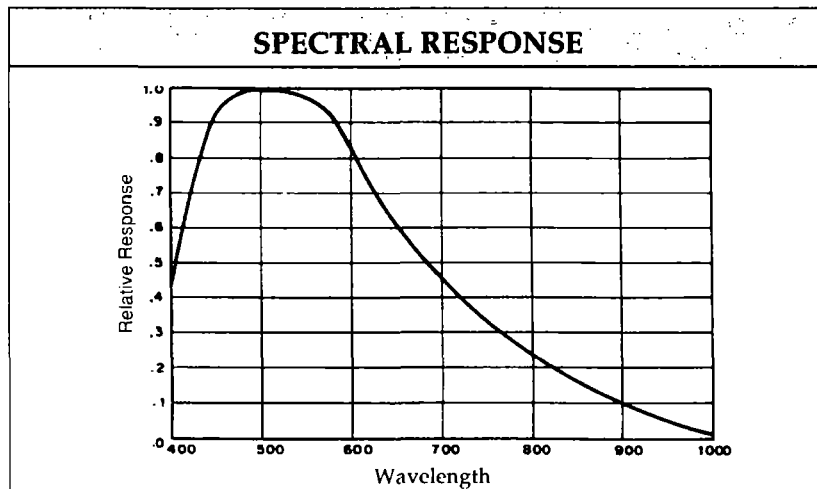
4910 SERIES HIGH PERFORMANCE MONOCHROME CCD CAMERA

ORDERING INFORMATION

491X— X X X X / XXXX

Power Options	Sync Options	Optical Filters	Options	Module Options	Lens Options
2 12V ac or dc 3 230V ac, 50 Hz, with ac wall adapter (CCIR Models) 4 24V ac or dc 5 115V ac, 60 Hz, with ac wall adapter (RS-170 Models)	2 Genlock* (revert to crystal) RS-170 3 Genlock*(revert to variable phase line lock) RS-170 4 Asynchronous Reset RS-170 5 Genlock* (revert to crystal) CCIR 6 Genlock* (revert to variable phase line lock) CCIR 7 Asynchronous Reset CCIR * Genlock can be composite sync or separate H & V Drive	0 None 1 IR Filter (Non-removable)	0 None (Standard TV Rate) 1 Frame Mode 3 Electronic Iris* * Electronic Iris option is designed for use with manual iris lenses only. With this option, the camera operates in the field integration mode. Use of the electronic iris defeats electronic shutter positions	0 None.	Manual Iris, CS Mount A003 3.7mm, f/1.6, 1/2" A006 6mm, f/1.4, 1/2" A013 12mm, f/1.4, 1/2" Manual Iris, C Mount *AL04 4.5mm, f/2.0, 2/3" *AL08 8mm, f/1.4, 2/3" AL16 16mm, f/1.4, 2/3" AL25 25mm, f/1.4, 1" AL50 50mm, f/1.4, 1" AL75 75mm, f/1.8, 1" * Wide Angle Auto Iris, CS Mount EH04 3.7mm, f/1.6, 1/2" EH06 6mm, f/1.4, 1/2" EH13 12mm, f/1.4, 1/2" Auto Iris, C Mount ES04 4.2mm, f/1.8, 1/2" ES05 4.8mm, f/1.8, 2/3" ES08 8mm, f/1.4, 2/3" ES12 12.5mm, f/1.4, 2/3" ES16 16mm, f/1.4, 2/3" ES25 25mm, f/1.4, 1" EH35 35mm, f/1.4, 2/3" ES50 50mm, f/1.4, 1" EH75 75mm, f/1.8, 1" Please consult factory for other lens selections.

COHU RESERVES THE RIGHT TO CHANGE SPECIFICATIONS WITHOUT NOTICE.



5755 Kearny Villa Road • San Diego, CA 92123

Telephone: (619) 277-6700 • FAX: (619) 277-0221 • TWX: 910-335-1244

COHU
Cohu, Inc./Electronics Division

**Performance and
Reliability!**

HIGH-PERFORMANCE MONOCHROME ENVIRONMENTAL CCD CAMERAS

4940 SERIES

**High Resolution
1/2" On-Chip Microlens Sensor**

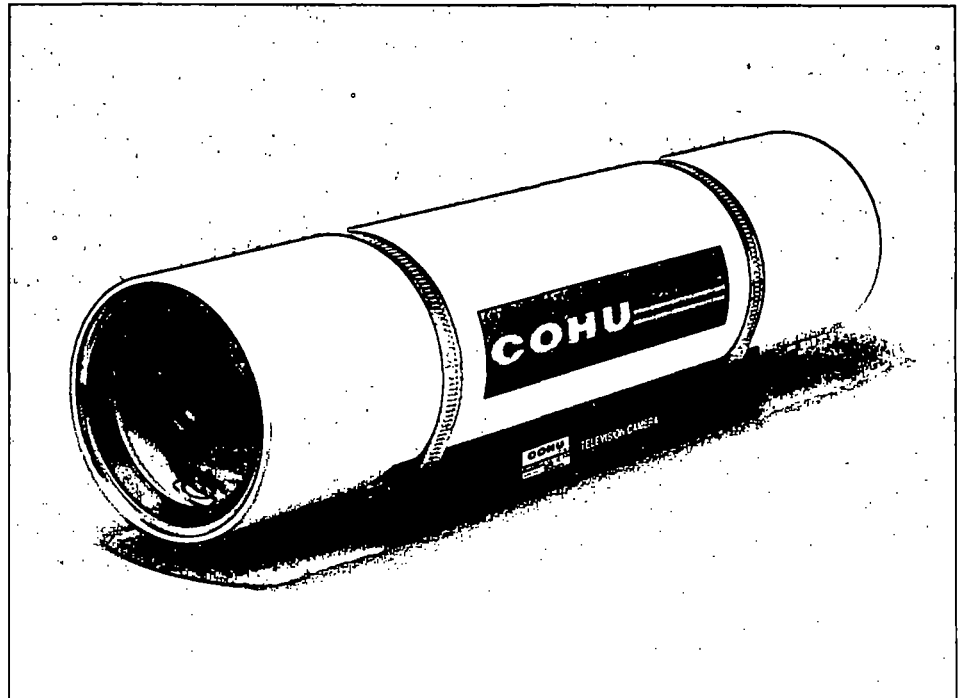
The 4940 Series High Performance Monochrome Environmental CCD Cameras from Cohu combine advanced video technology and rugged reliability for peak performance in harsh-environment security/surveillance applications.

The 4940 Series cameras feature a high-sensitivity on-chip microlens interline transfer imager, which reduces dark current, lag, and blooming while improving dynamic range and spectral characteristics. For video applications prone to streaking problems, a 1000:1 overload capability allows transmission of clear video signals even when bright incidental light is present in the scene.

The 4940 Series High Performance Monochrome CCD Cameras' 4.5" sealed and pressurized environmental housing provides maximum protection against rain, snow, dust, humidity, chemical pollutants, extreme temperatures, and other hazards.

Optional features include a fiber optic transmitter and a programmable source ID generator. An internal heater for low temperature operation is standard on all 115V models.

The 4940 Series High Performance CCD cameras are backed by a full two-year warranty. Cohu welcomes requests for special products and complete CCTV systems.



Cohu 4940 Series High Performance Monochrome Environmental CCD Camera

FEATURES AND BENEFITS

- **Sealed, Pressurized Environmental Housing** protects against harsh environmental conditions
- **On-Chip Microlens Interline Transfer Imager** improves sensitivity, virtually eliminates overload streaking, and improves dynamic range.
- **High Resolution** — for better definition, error-free results
- **High Sensitivity** permits operation over a broad range of light levels.
- **Choice of Synchronization Options** for greater versatility
- **High Signal-to-Noise Ratio** for clear, noise-free video
- **Optional Fiber Optic Transmitter and Source I.D. Generator**
- **Made in U.S.A.** — direct factory support
- **Two-Year Warranty**
- **Internal Heater** for low temperature operation
- **1000:1 Overload Capability** permits incidental light overloads up to ten times that of other CCD cameras.
- **No Lag or Image Retention** — provides fast, clean, precise images
- **Zero Geometric Distortion** for consistent corner-to-corner linearity
- **26 dB AGC** for increased sensitivity at low light levels
- **Optional IR Filter**
- **"C" or "CS" Lens Mount** expands your choice of lenses.
- **State-of-the-Art Design and Construction**

APPLICATIONS

- **Intelligent Vehicle-Highway Systems/Traffic Management**
- **Mass Transit Systems**
- **Security/Surveillance**
- **Military Installations**
- **Airports**
- **Industrial Process Monitoring**
- **Nuclear Power Plants**
- **Hazardous Waste Management**
- **Radar Tracking Systems**

Designed and Manufactured in U.S.A.

COHU
Cohu, Inc./Electronics Division

4940 SERIES HIGH PERFORMANCE MONOCHROME CCD CAMERA

SPECIFICATIONS

ELECTRICAL

Image Area 6.4 x 4.8 mm (corresponding to 1/2" image tube)	AGC* 26 dB, variable gain
Active Picture Elements RS-170: 768H x 494V CCIR: 752H x 582V	Signal-to-Noise Ratio ≥56 dB at gamma 1, gain 0 dB 38 dB at gamma 1, AGC On
Imager Type On-chip microlens sensor interline transfer CCD	Auto Lens Separate lens video ratio tracks AGC peak/average adjustment to eliminate AGC/auto lens interaction Power: +15V, 100 mA maximum
Cell Size RS170: 8.4 x 9.8 microns CCIR: 8.6 x 8.3 microns	Synchronization Genlock, revert to variable phase adjustable line lock with zerocrossing detector Genlock, revert to crystal Crystal Lock Internal Clock Speeds RS170: 28.6363 MHz CCIR: 28.375 MHz
Resolution RS170: 580 horizontal TVL, 350 vertical TVL CCIR: 560 horizontal TVL, 450 vertical TVL	Power Requirements 12V ac, 50/60 Hz 24V ac, 50/60 Hz 115V ac, 50/60 Hz 230V ac, 50/60 Hz
Sensitivity (faceplate) @2850 K Please see Table 1.	Power Consumption (by module) 4.2 watts camera 40 watts heater 1.5 watts lens
Electronic Shutter* Eight steps from 1/50 or 1/60 to 1/10,000 second (1/50 or 1/60, 1/125, 1/250, 1/500, 1/1,000, 1/2,000, 1/4,000, 1/10,000 second)	
Video Output 1.0 V p-p @75 ohms, unbalanced	
Gamma Variable 0.45 to 1.0	

* Please see "Standard Features" box on back cover

MECHANICAL

Dimensions Please see Figure 1.
Weight (less lens) 10.8 pounds, (4.9 kg)
Lens Mount "CS" mount, 16mm format "C" mount with adapter (furnished)
Housing Mount 1/4-20 threaded holes
Connectors Please see Figure 1.

ENVIRONMENTAL

Ambient Temperature Limits Operating: -20 to 60 °C (-4 to 140 °F); -40 to 60 °C (-40 to 140 °F) with heater Storage: -30 to 70 °C (-22 to 157 °F)
Humidity Up to 100% relative humidity
Vibration Sine vibration from 5 to 60 Hz with 0.082 inches total excursion (15 g's @ 60 Hz). Random vibration from 60 to 1,000 Hz, 5 g's rms (0.027g ² /Hz without damage).
Shock (less lens) Up to 15 g's, 11ms, in any axis under nonoperating conditions, MIL-E-5400T, paragraph 3.2.24.6
Altitude Sea level to equivalent of 3,000m/10,000 feet (508mm/20 inches of mercury)
Air Contaminants Withstands exposure to sand, dust, fungus, and salt atmosphere, per MIL-E-5400T, paragraph 3.2.24.7, 3.2.24.8, and 3.2.24.9
Explosion MIL-E-5400T, paragraph 3.2.24.10
Acoustic Noise Can withstand environments greater than 150 dB continuously for 30 minutes
EMI FCC rules, Part 15, Subpart J, for Class A devices
Shock Up to 15 g's in any axis under nonoperating conditions, MIL-E-5400T, paragraph 3.2.24.6

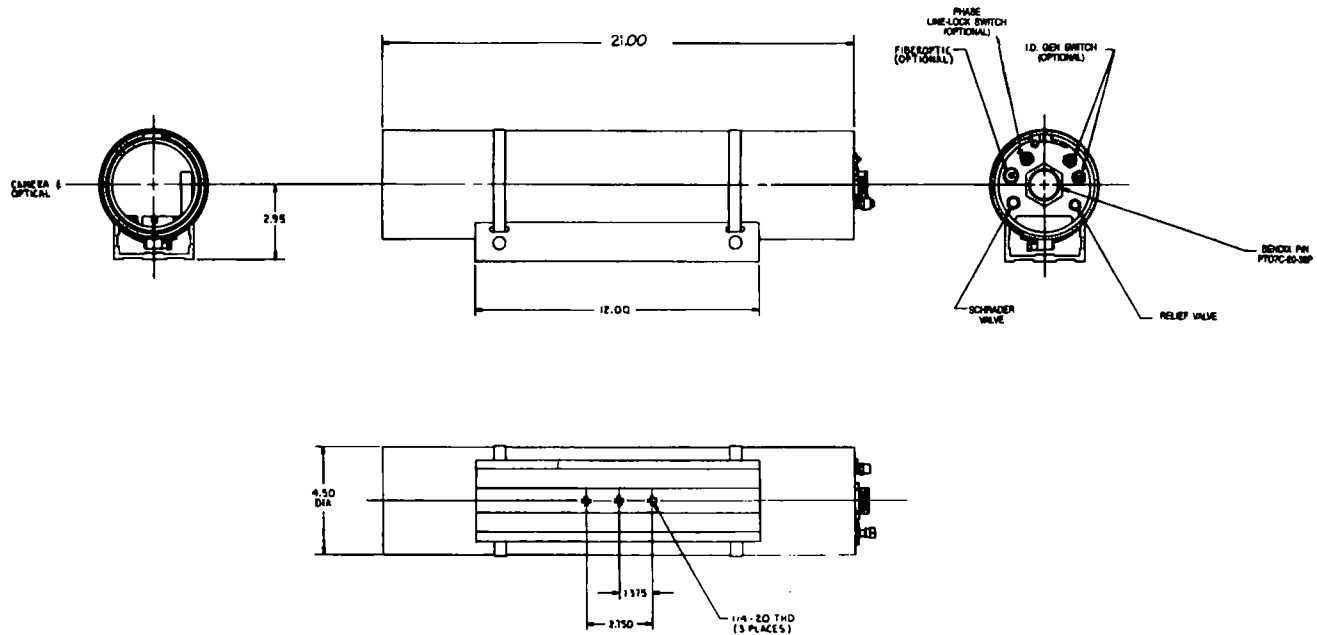
SENSITIVITY

	Full Spectrum	With IR Filter
Full Video, No AGC	0.065 fc (0.65 lux)	0.25 fc (2.5 lux)
80% Video, AGC On	0.002 fc (0.02 lux)	0.01 fc (0.1 lux)
30% Video, AGC On	0.0004 fc (0.004 lux)	0.0015 fc (0.015 lux)

Table 1

This model has been tested and found to comply within the FCC limits for Class "B."

4940 SERIES DIMENSIONS



NOTE: DIMENSIONS IN INCHES (MM)

Figure 1

CONNECTOR CONFIGURATIONS

Pin	Function
A	12/24V ac in
B	Reserved for Position Reference Return
C	75 Ω Sync Termination
D	Reserved for Focus Position
J	Video Ground
K	Video Out
L	Ground (Overall Cable Shield)
M	External Sync In
N	Ground (Sync Coax Shield)
P	Ground (Lens Conductors Shield)
R	Zoom In
S	Focus In
T	Iris In
U	Ground (Zoom, Focus, Iris Common)
V	115V ac Camera Power, 60 Hz, Low
W	115V ac Camera Power, High
X	AC Ground
Y	Reserved for Zoom Position
Z	Ground
b	Reserved for Position Reference
c	Auto/Manual Iris Select
d	12/24V ac In
e	RXD (Programmable ID Generator)
f	Ground
h	TXD (Programmable ID Generator)
i	TXD (Programmable ID Generator)
k	Ground (Programmable ID Generator)
m	Heater Power, 115V ac Low
n	RXD (Programmable ID Generator)
r	Heater Power, 115V ac High

PROGRAMMABLE SOURCE ID GENERATOR

The optional Programmable Source ID Generator is a built-in electronic circuit which allows written messages to be superimposed over images displayed on CCTV monitors. Using a computer and RS-422 serial communication, a user types messages that will then appear on the monitor. Text is made up of block letters 28 horizontal TV lines in height. The letters are white with a black outline for maximum legibility. There are two modes of operation, as follows:

1. ID Mode: Up to two lines of text (24 characters per line, including spaces) can be stored in non-volatile memory. Text can be placed at the top or bottom of the monitor screen, and can be updated from a computer or a dumb terminal, making this a real-time updatable programmable ID generator. Stored text, which typically provides information such as the location of individual cameras in multi-camera systems, will be continuously displayed until it is updated.

2. Menu Mode: In this mode, up to 12 lines of 24 characters can be entered into volatile memory without affecting data stored in the ID Mode. A computer is required to enter data in this mode.

Special cables or connectors are available for programming the Programmable Source ID Generator. Please consult factory for details.

4940 SERIES HIGH PERFORMANCE MONOCHROME CCD CAMERA

ORDERING INFORMATION

494X — X X X X / XXXX

Power Options*

- 2 12V ac, 50/60 Hz
- 3 230V ac, 50/60 Hz**
- 4 24V ac, 50/60 Hz
- 5 115V ac, 50/60 Hz

* Heater for Low Temperature Operation is standard on 115V models. Heater on 12V and 24V models is a special order feature. Please consult factory.

**Please consult factory for availability.

Sync Options & Video Format

- 2 RS-170 Genlock (revert to crystal)
- 3 RS-170 Genlock (revert to phase adjustable line lock)
- 5 CCIR Genlock (revert to crystal)
- 6 CCIR Genlock (revert to phase adjustable line lock)

Optical Filters

- 0 None
- 1 IR Filter (non-removable)

Camera Options

- 0 Standard TV Rate (Field Integration Mode)

Module Options

- 0 None
- 1 Fiber Optic Transmitter
- 2 Programmable I.D. Generator
- 3 Programmable I.D. Generator and Fiber Optic Transmitter (See notes on page 3.)

Lens Options

- Auto Iris, CS Mount**
EH04 3.7mm, f/1.6, 1/2"
EH06 6mm, f/1.4, 1/2"
EH13 12mm, f/1.4, 1/2"
- Auto Iris, C Mount**
ES04 4.2mm, f/1.8, 1/2"
ES05 4.8mm, f/1.8, 2/3"
ES07 8mm, f/1.4, 2/3"
ES08 8mm, f/1.4, 2/3"
ES12 12.5mm, f/1.4, 2/3"
ES16 16mm, f/1.4, 2/3"
ES25 25mm, f/1.4, 1"
EH35 35mm, f/1.4, 2/3"
ES50 50mm, f/1.4, 1"

- Zoom Lenses**
Z06R 6:1, f/1.0, 1/2"
***P06R** 6:1, f/1.0, 1/2"
Z10S 10:1, f/1.2, 1/2"
***P10S** 10:1, f/1.2, 1/2"
***Note: These lenses include follower pots.**

Please consult factory for other lens selections.

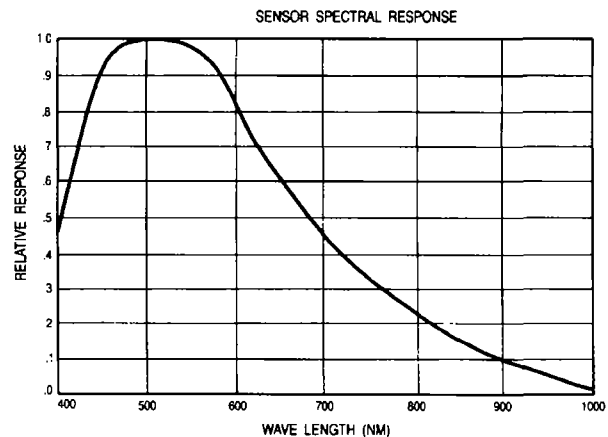
COHU RESERVES THE RIGHT TO CHANGE SPECIFICATIONS WITHOUT NOTICE.

NOTES ON STANDARD FEATURES

Electronic Shutter: Internal switches select shutter speeds or the number of integration fields, and enable or disable the external ON/OFF control of the internally-selected shutter or integration mode. These switches are set at the factory prior to sealing and pressurizing the environmental housing. The standard factory settings disable the external ON/OFF control and provide 1/60 second shutter speed. The switches can be set differently at the factory to customer specifications, or in the field by removing the camera from the housing.

AGC Peak/Average adjustment is made via an internal control, which is set at 0.45 at the factory prior to sealing and pressurizing the environmental enclosure. Customer may specify different setting.

SPECTRAL RESPONSE



FIRST GENERATION INTENSIFIED MONOCHROME CCD CAMERA

5510 SERIES

**High Reliability, High Sensitivity,
For Low Light Level Applications**

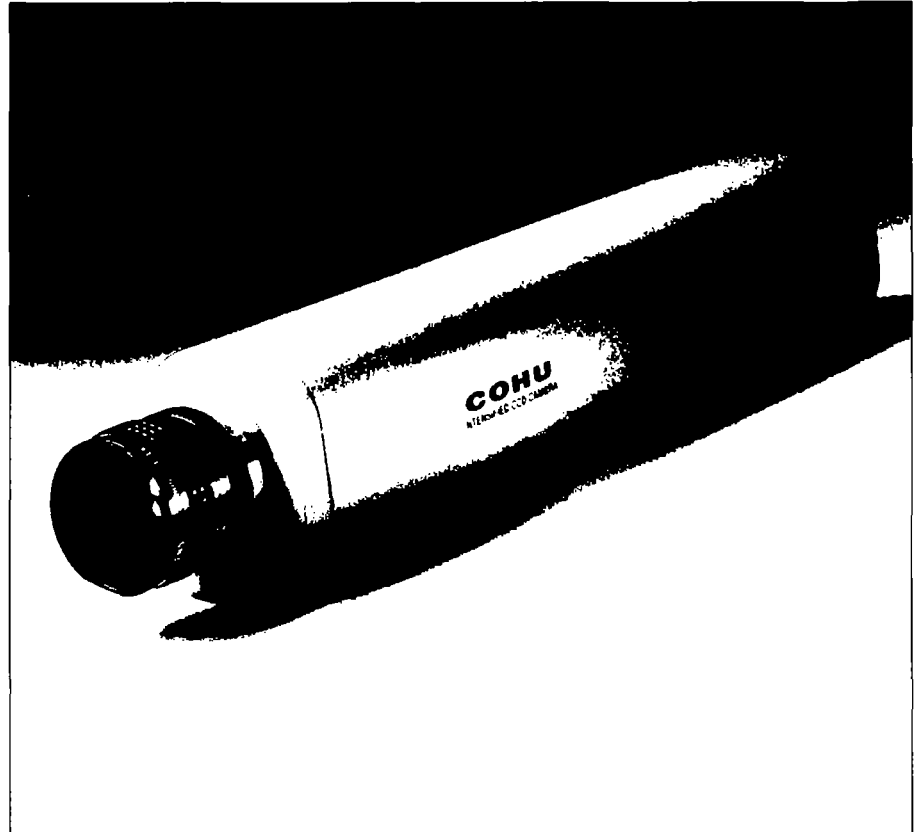
Designed for reliable, long-life operation in applications characterized by low light levels, the 5510 Series first generation intensified CCD camera provides a number of advantages over SIT cameras traditionally used for LLL applications.

The 5510 Series Intensified CCD (ICCD) camera uses a first generation image intensifier which is fiber-optically coupled to the CCD image sensor to provide clear images, even when a scene illumination is extremely limited.

When compared to high-maintenance SIT cameras, the 5510 Series ICCD camera offers significantly greater dependability because the camera employs a solid-state CCD image sensor. The camera is also smaller, consumes less power, and exhibits less lag than an SIT camera.

The 5510 camera is available in standard, as well as in sealed, pressurized environmental housings.

Designed and manufactured in the U.S.A., the 5510 Series is the ideal camera for economical, reliable, low light level video requirements.



CoHU 5510 Series Intensified Monochrome CCD Camera

FEATURES AND BENEFITS

- **High Sensitivity** improves image in low light levels.
- **Low Lag** for fast, clean, precise images.
- **High Signal-to-Noise Ratio** provides better dynamic range
- **Low Power Consumption** for flexible system integration, energy savings, and minimal dissipation.
- **Selectable AGC** allows better control under varying light conditions.
- **Made in U.S.A.** - direct factory support.
- **High Resolution** for sharper images.
- **Auto Black** for contrast enhancement.
- **Adjustable C Mount** for maximum adaptability.
- **Suitable Replacement for SIT Cameras**
- **RS-170 and CCIR Models**
- **Solid State Design** for long life and reliability.
- **Available in sealed, pressurized environment-resistant housings** for use in outdoor and hostile environments.

APPLICATIONS

- **Security/Surveillance**
Airports
Mass Transit
Power Plants
Military Installations
- **Microscopy**
- **Medical Imaging**
- **Machine Vision**
- **Image Processing**

5510 SERIES FIRST GENERATION INTENSIFIED CCD CAMERA

SPECIFICATIONS

ELECTRICAL

IMAGE INTENSIFIER

18 mm, Gen 1, electrostatic demagnifying 1" input image format

Geometric Distortion

≤ 6% within a circle not to exceed picture height

Spectral Response

S 25

IMAGER

Frame transfer CCD, 1/2" format

Active Picture Elements

RS-170: 739(H) x 484(V)

CCIR: 699(H) x 576(V)

Cell Size

RS-170: 8.5μm(H) x 19.5μm(V)

CCIR: 9.2μm(H) x 16.8μm(V)

GENERAL

Resolution (TV lines)

RS170: 480 horizontal, 350 vertical

CCIR: 460 horizontal, 400 vertical

Sensitivity

2854 K faceplate illumination.

80% video: 0.00005 fc. No

AGC: 5 x 10⁻⁴. With 6dB gain: 2.5 x 10⁻⁴

Usable picture: 0.000015 fc at 30% video

Gamma

0.5 or 1.0 jumper selectable

Auto Black

Maintain set-up level at 7.5±5 IRE units if picture contains at least 10% black

Signal-to-Noise Ratio @25°C

42 dB, unweighted, with AGC off and high voltage low, at .005 fc faceplate illumination (typical)

AGC

>20 dB, jumper selectable on/off

Auto Lens Drive Signal

Peak-average characteristic tracks AGC adjustment to eliminate AGC/auto lens interaction

Synchronization

EIA RS-170 crystal, 14.31818 MHz (or CCIR crystal 13.375 MHz) clock output (standard)

Genlock, external sync with crystal or zero crossing linelock back-up (jumper selectable)

Linelock

External H & V drive

Video Output

1.0 V p-p @75 ohms, unbalanced

Power Requirements

AC or DC 12V ±10% or 24V ±10%

AC 115V ±10% or 230V ±10% with wall transformer

ENVIRONMENTAL

Ambient Temperature Limits

Operating: -10 to 50 °C
(14° to 122° F)

Storage: -30 to 60 °C
(-22° to 140° F)

Altitude

Sea level to equivalent of 3.048m/10,000 feet (508mm/20 inches of mercury)

Humidity

Up to 95% relative humidity

MECHANICAL

Weight (less lens)

Less than 2.5 lbs

Dimensions

11.78" (L) x 2.30" (W) x 2.72" (H)

Lens Mount

"C" mount

Connectors

BNC connector - Video Out
Switchcraft TB4M - Lens Drive
Switchcraft TB3M - Power In
Hirose SR30-10R-7S - Auxiliary

Camera Mount

1/4 - 20 threaded holes

ORDERING INFORMATION

55X

X

-

X

X

X

X

/ XXXX

Housing	Power Options	Sync Options	Optical Filter	Option Boards	Format	Lens Options
1 General Purpose	2 12V ac/dc 60Hz 3 120V ac, 50 Hz 4 12V ac/dc 60Hz 5 115V ac, 60 Hz	2 Genlock, crystal 3 Genlock, neck 7 External H & V Drive/Crystal	0 None	00 None	0 RS-170 (EIA) 5 CCIR	0000 None Auto Iris ND (T-1500) Spot EH12 12.5mm 1/1.4 EH25 25mm 1/1.4 EH50 50mm 1/1.4 EH75 75mm 1/1.8
NOTE: 6 environmental housings available as stock option. Please consult factory.						Please consult factory for other lens selections

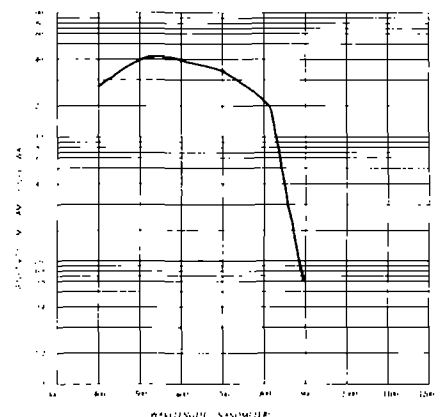
COHU RESERVES THE RIGHT TO CHANGE SPECIFICATIONS WITHOUT NOTICE.

OPTIONAL FEATURES

SYNC OPTIONS

The genlock board contains circuits to receive external input signals, including composite video, composite sync, and horizontal and vertical drive. These inputs are processed and supplied as reference signals to the genlock oscillator. In the absence of an externally applied signal, the camera is either crystal-locked or line locked, depending on the position of the crystal/linelock jumper. In the Linelock Mode, the camera synchronizes to an external 50 or 60 Hz reference derived from the AC power line. In the Crystal Mode, the internal crystal-controlled oscillator provides back-up. The H & V Drive input Option allows the camera to synchronize to externally supplied horizontal- and vertical-drive signals.

SPECTRAL RESPONSE



NEW!

RS-170 MONOCHROME 1/2" CCD CAMERA

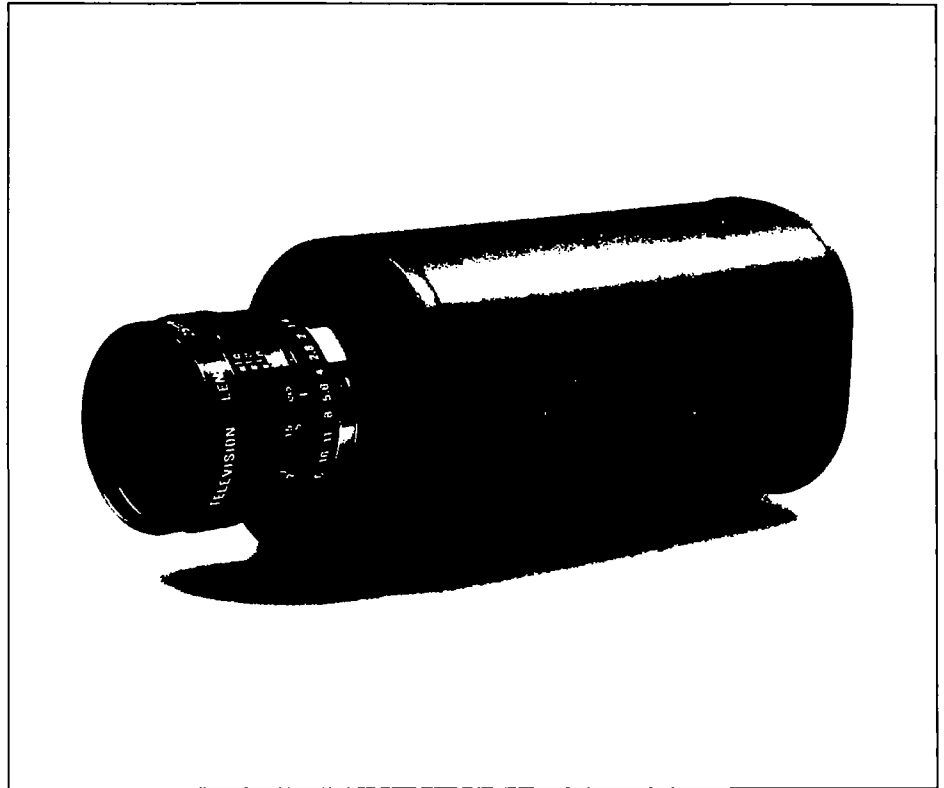
6310 SERIES

**High Resolution
High Sensitivity**

Cohu's 6310 Series Monochrome CCD cameras are high performance cameras which employ a unique high resolution frame transfer imager to provide an economical alternative to comparably priced cameras with much lower resolution and sensitivity. They provide high resolution pictures without geometric distortion, lag, or image retention, and sensitivity comparable to that of standard silicon target image tube cameras. These performance features, along with rugged design and low maintenance, make 6310 Series cameras an excellent value for a wide range of security/surveillance applications.

Weighing just 15 ounces, 6310 Series cameras feature 20 dB Automatic Gain Control (AGC) to provide high sensitivity in varying light conditions.

As with all Cohu CCD cameras, 6310 Series cameras are designed and manufactured in the U.S.A. and are backed by a two-year warranty. For assistance in selecting the proper camera for your application, please call Cohu at (619) 277-6700 and ask to speak with one of our experienced Applications Engineers.



Cohu 6310 Series Monochrome CCD Camera

FEATURES AND BENEFITS

- **High Resolution** with 1/2" format frame transfer image sensor with over 350,000 active picture elements
- **High Sensitivity** improves image in low light levels
- **Zero Geometric Distortion** for consistent corner-to-corner linearity
- **No Lag or Image Retention** for fast, clean, precise images
- **Wide Range of Options** for flexible system integration
- **Low Power Consumption** for flexible system integration, energy savings, and minimal dissipation
- **20 dB AGC with Peak-Average Adjustment** for clear images in varying light conditions.
- **High Signal-to-Noise Ratio** provides better dynamic range
- **Auto Black** for contrast enhancement
- **Quality, State-of-the-Art Design and Construction** for total, solid-state reliability and long life
- **IR Sensitive** for use in IR applications.
- **Over 350,000 picture elements**
- **Made in U.S.A.** — direct factory support, parts availability
- **Two-Year Warranty**

APPLICATIONS

- **Security/Surveillance**
 - Government Facilities
 - Environmental Monitoring
 - Power Plants
 - Banks
 - Retail Stores
 - Unmanned Storage Facilities
 - Parking Garages
 - Office Buildings
 - Correctional Facilities
- **Transportation Safety and Control**
 - Bridges and Tunnels
 - Mass Transit
 - Airports and Train Stations
 - Fare Collection Points
- **Teleconferencing**
- **Image Processing**

Designed and manufactured in U.S.A.

COHU
INC
ELECTRONICS DIVISION

6310 SERIES RS-170 MONOCHROME 1/2" CCD CAMERA

SPECIFICATIONS

ELECTRICAL

Imager

Single CCD using frame transfer method

Pickup Area

6.4 x 4.8 mm (1/2-inch format)

Active Picture Elements

739(H) x 484(V) (frame transfer)

Cell Size

8.5µm(H) x 19.5µm(V)

Resolution

Horizontal 550 TV lines

Vertical >350 TV lines

Sensitivity

2850 K faceplate illumination.

See Table 1.

Contrast Variation @ 25°C

<15%

Video Output

1.0 V p-p @75 ohms. unbalanced

Gamma

0.5 or 1.0 jumper selectable

AGC

Jumper selectable, On/Off.

Peak average adjustable, 20 dB

Power Consumption

4.2W

Auto Black

Maintain set-up level at 7.5 ± 5 IRE units if picture contains at least 10% black

Signal-to-Noise Ratio

56 dB at gamma 1, AGC off
8 MHz bandwidth, unweighted

Auto Lens Drive Signal

Peak-average characteristic tracks
AGC adjustment to eliminate
AGC/auto lens interaction.

Synchronization

EIA RS-170 crystal, 14.31818 clock output (standard)

Genlock, external sync with crystal line lock back-up (jumper selectable)

External H & V drive

Power Requirements

AC/DC 12V $\pm 10\%$

ENVIRONMENTAL

Ambient Temperature Limits

Operating: -10 to 50 °C
(14° to 122° F)

Storage: -30 to 70 °C
(-22° to 158° F)

Humidity

Up to 95% relative humidity

Vibration (less lens)

5 to 60 Hz with 0.082 inch total excursion (15 g's @ 60 Hz). From 60 to 1000 Hz, 5 g's rms random vibration without damage

Shock (less lens)

Up to 30 g's in any axis under nonoperating conditions, MIL-E-5400T, paragraph 3.2.24.6

Altitude

Sea level to equivalent of 3,000m/10,000 feet (500mm/20 inches of mercury)

MECHANICAL

Weight (less lens)

425 grams (15 ounces)

Dimensions

Please see Figure 1.

Camera Mount

1/4 - 20 threaded holes

Lens Mount

"C" mount

Connectors

BNC connector - Video Out
Switchcraft TB4M - Lens Drive
Switchcraft TB3M - Power In
Hirose SR30-10R-6S - Auxiliary

SENSITIVITY

With IR Filter

Without IR Filter

Full Video, AGC Off

0.40 fc (4.0 lux)

0.03 fc (0.3 lux)

90% Video, AGC On

0.036 fc (0.36 lux)

0.0027 fc (0.027 lux)

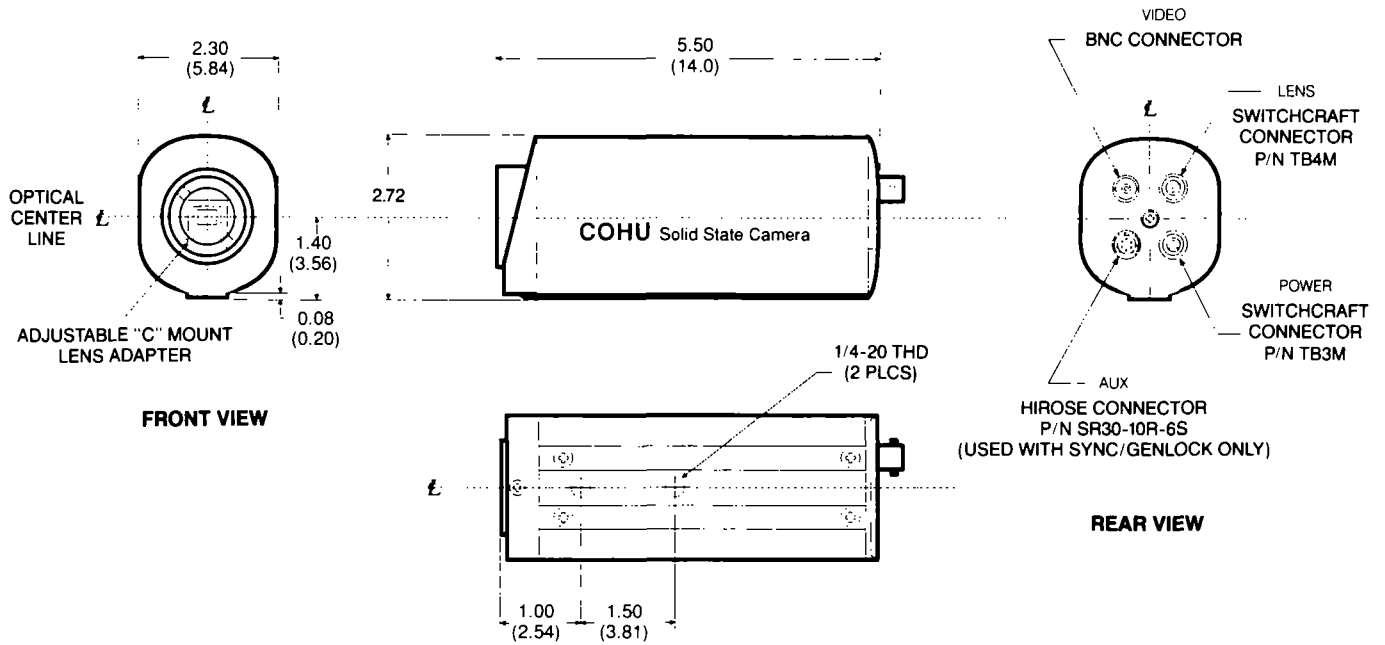
Usable Picture (30% Video, AGC On)

0.0012 fc (0.012 lux)

0.0009 fc (0.009 lux)

Table 1

DIMENSIONS

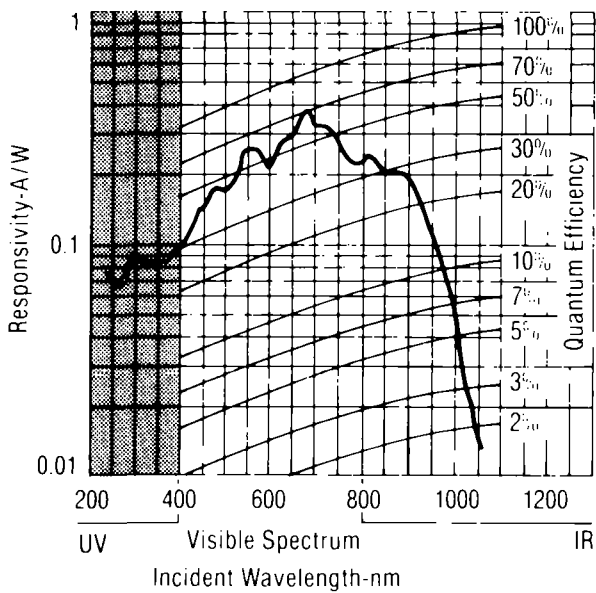


NOTE: ALL DIMENSIONS IN INCHES AND (CM).

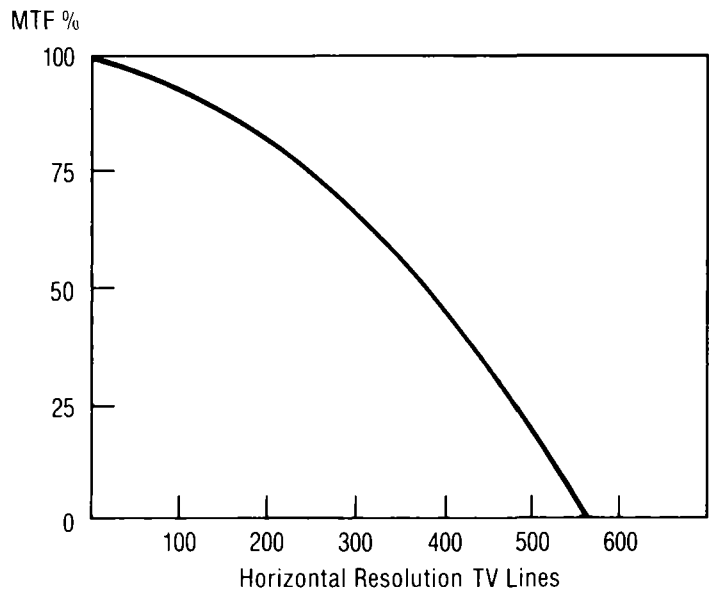
Figure 1.

CoHU 6310 Monochrome CCD Camera

SPECTRAL RESPONSE



MODULATION TRANSFER FUNCTION



SHADED AREA INDICATES SPECTRAL RESPONSE WITH FACEPLATE REMOVED OR WITH A QUARTZ FACEPLATE INSTALLED. PLEASE CONSULT FACTORY FOR PRICES.

6310 SERIES RS-170 MONOCHROME 1/2" CCD CAMERA

ORDERING INFORMATION

631X	— X	X	X	X	— XXXX
Power Options	Sync Options	Optical Filter	Option Boards	Video Format	Lens Options
2 12V ac/dc 5 115V ac, 60 Hz (with ac wall adapter)	2 Genlock (Revert to crystal) 3 Genlock (Revert to linelock) 5 RS-170 Crystal 7 External H & V Drive (Revert to crystal)	0 None 1 IR Filter (See IR transmission curve, below.)	0 None	1 RS-170	Manual Iris, C Mount *AL04 4.5mm, f/2.0, 2/3" *AL06 6.5mm, f/1.8, 2/3" *AL08 8mm, f/1.4, 2/3" A014 12mm, f/1.2, 1/2" AL16 16mm, f/1.4, 2/3" AL26 25mm, f/1.6, 2/3" AL51 50mm, f/2.8, 2/3" * Wide Angle Auto Iris, C Mount** ES04 4.2mm, f/1.8, 1/2" ES05 4.8mm, f/1.8, 2/3" ES08 8mm, f/1.4, 2/3" ES13 12mm, f/1.2, 1/2" ES16 16mm, f/1.4, 2/3" EH35 35mm, f/1.4 (2/3")

** Auto iris lens mating connectors supplied with lens. Those customers supplying their own auto iris lenses must order connector separately.

Please consult factory for other lens selections.

COHU RESERVES THE RIGHT TO CHANGE SPECIFICATIONS WITHOUT NOTICE.

OPTIONAL FEATURES

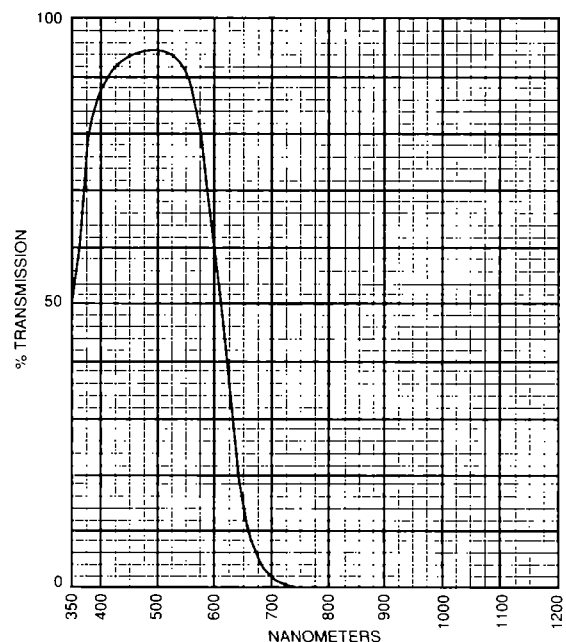
SYNC OPTIONS

The genlock board contains circuits to receive external input signals, including composite video, composite sync, and horizontal and vertical drive. These inputs are processed and supplied as reference signals to the genlock oscillator. In the absence of an externally applied signal, the camera is either crystal-locked or line locked, depending on the position of the crystal/linelock jumper. In the Linelock Mode, the camera synchronizes to an external 60 Hz reference derived from the AC power line. In the Crystal Mode, the internal crystal-controlled oscillator provides back-up. The H & V Drive Input Option allows the camera to synchronize to externally supplied horizontal- and vertical-drive signals.

IR FILTER

The 6310 Series is designed to be IR sensitive. For use in applications with undesirable IR conditions, the optional IR filter will cut off at 650 nm.

TRANSMISSION OF IR FILTER





ULTRA-HIGH-RESOLUTION MONOCHROME CCD CAMERAS

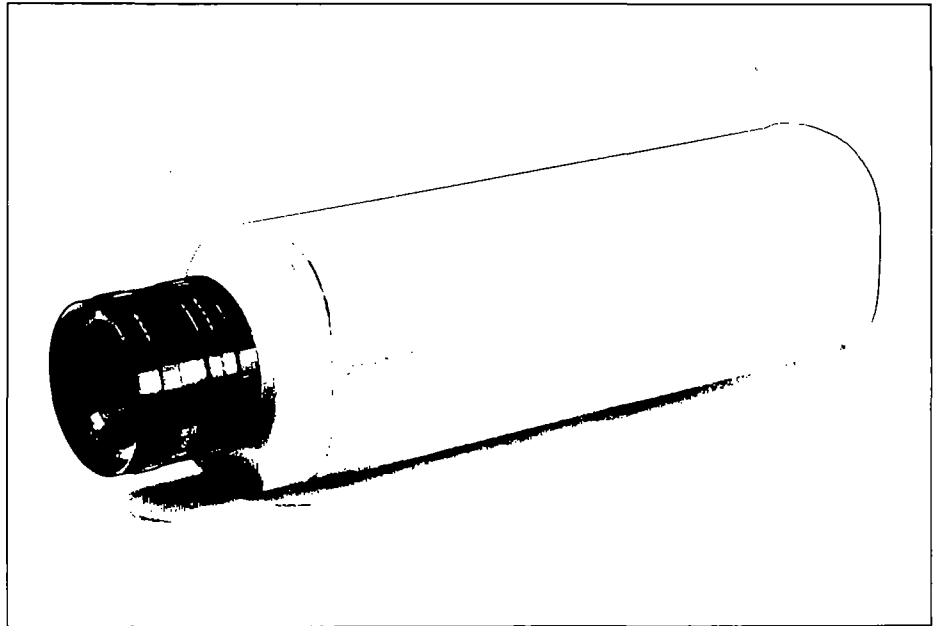
8410 & 8420 SERIES

**850 TV Lines Resolution
1134 x 486 Picture Elements**

The 8410 and 8420 Series are *full-frame* frame-transfer RS-170 monochrome video cameras which provide ultra-high-resolution images for a broad range of scientific, industrial, and security/surveillance applications. They employ a unique blemish-free image sensor which provides *true interlace* video output for exceptional picture quality.

Because the 8410 and 8420 Series' image sensor has two independently addressable field memories, the camera can be operated in several different modes. In addition, the frame transfer imager has contiguous pixels. A high-bandwidth video-processing circuit makes full use of the resolution of the imager, while allowing options such as Automatic Gain Control and Auto Black Control.

Independent addressing of each field memory provides flexibility for different modes of operation. In the normal mode, the camera provides true interlace with 486 lines per frame and 1134 pixels per line. After a 1/60-second exposure of the 486 active lines in the imaging area, one field of 243 lines becomes video; the other 243 lines are discarded. A subsequent 1/60-second exposure produces the additional lines to complete the frame.



Cohu 8410/8420 Series High Resolution Monochrome CCD Camera

The low-light sensitivity mode utilizes pseudo interlace by summing two adjacent lines after a 1/60-second exposure time. The alternate summing of lines provides two different fields for each frame, with a 2:1 gain in light sensitivity.

In the dual field mode, both fields are exposed simultaneously for 1/30

seconds and stored on-chip. This results in a frame with the higher vertical resolution associated with true interlace but without the time-dependent image offset that occurs with normal-mode operation. In this mode, higher sensitivity is achieved at the expense of greater lag.

FEATURES AND BENEFITS

- **High Resolution** — 850 horizontal TV lines for sharper images
- **Over 550,000 Active Picture Elements** — 1134 x 486 array
- **High Sensitivity** permits operation over a wide range of light levels
- **Two Independently Addressable Field Memories** allow full-frame vertical resolution in all modes of operation
- **True Interlace Operation** for true high-resolution images
- **Built-In Blooming Protection** eliminates "washed-out" images caused by bright incidental light
- **Low Power Consumption**
- **Two Year Warranty**
- **Auto Black** for contrast enhancement
- **2/3" Format Blemish-Free Frame Transfer Sensor with Contiguous Pixels**
- **Virtual Phase Sensor Technology** provides high blue response, low dark signal, uniformity and single-phase clocking
- **20 dB AGC with Peak-Average Adjustment** for clear images in varying light level applications
- **Made in U.S.A.** — rugged, reliable design, quality components, direct factory support

APPLICATIONS

- **Scientific**
Microscopy
Image Processing
Machine Vision
Robotics
Mapping
- **Industrial**
Security/Surveillance
Aerial Recognizance
Transportation Management

8410 & 8420 SERIES ULTRA-HIGH-RESOLUTION CCD CAMERAS

SPECIFICATIONS

ELECTRICAL

Imager

Full-frame frame transfer CCD

Image Area

8.8 x 6.6 mm (2/3" format)

Active Picture Elements

1134(H) x 486(V)

Sensitivity (Full Video, AGC Off)

Normal Mode: 0.035 lux

Low-Light Mode: 0.013 lux

Dual-Field Mode: 0.013 lux

S/N Ratio

45 dB (gamma 1, gain 0 dB, aperture flat)

Horizontal Resolution

850 TV lines

Vertical Resolution

Normal Mode: 486 lines true interlace

Dual-Field Mode: 486 lines true interlace

Low-Light Mode: 350 lines pseudo interlace

Exposure

Normal Mode: 1/60 second

Low Light Mode: 1/60 second

Dual Field Mode: 1/30 second

Video Output

1.0 V p-p, 75 ohm, unbalanced

Contrast Variation

<5 %

Gamma

0.5 to 1

AGC

20 dB, peak/average adjustable

Manual Gain

20 dB variable

Auto Black

Maintain setup level at 7.5 ±5 IRE units if picture contains at least 10% black

Synchronization

Crystal lock (21.477 MHz), Genlock, line lock

Power Requirements

+15V dc, 285 mA steady state, 800 mA startup (100ms)

-15V dc, 140 mA steady state, 800 mA startup (100 ms)

5V dc, 205 mA steady state, 2500mA startup (100 ms)

(For line lock, 12V ac, 60 Hz, <1 mA steady state, 1 mA startup)

115V ac, ± 10%, 60 Hz, with external power supply

ENVIRONMENTAL

Ambient Temperature Limits

Operating: -20 to 50 °C
(-4° to 122° F)

Storage: -30 to 70 °C
(-22° to 157° F)

Humidity

Up to 95% relative humidity

Vibration (less lens)

5 to 60 Hz with 0.082 inch total excursion (15 g's @ 60 Hz). From 60 to 1000 Hz, 5 g's rms random vibration without damage

Shock (less lens)

Up to 15 g's in any axis under nonoperating conditions, MIL-E-5400T, paragraph 3.2.24.6

Altitude

Sea level to equivalent of 3,048m/10,000 feet (508mm/20 inches of mercury)

MECHANICAL

Dimensions

Please see dimensional drawings.

Weight (less lens)

Less than 48 ounces (12 V model)

Lens Mount

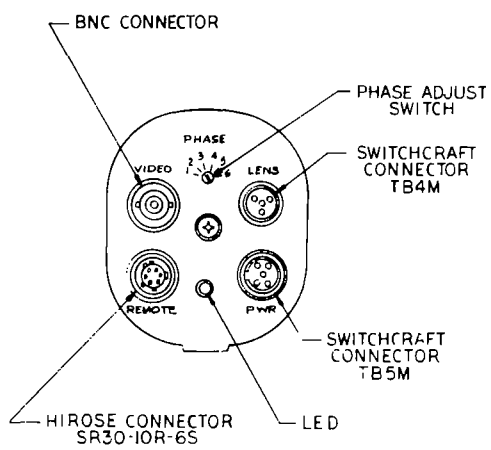
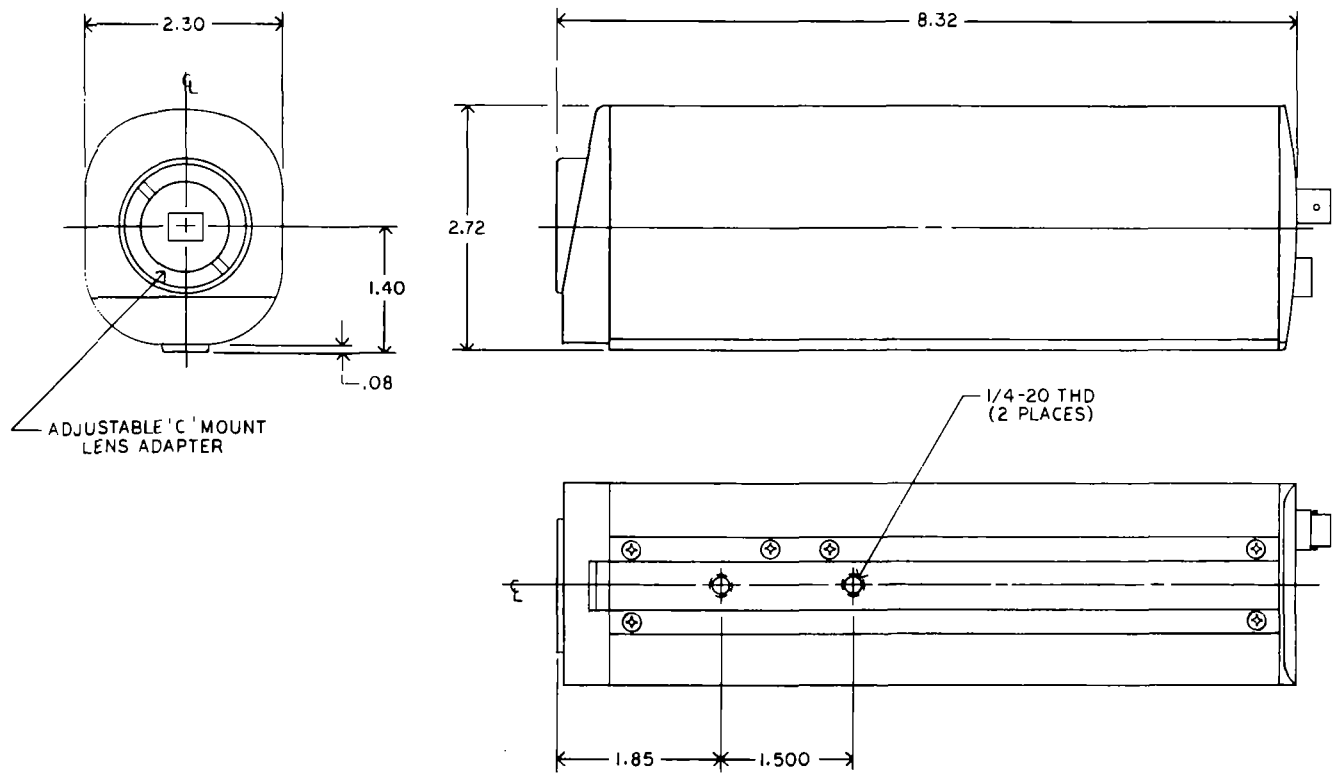
"C" mount adapter furnished

Connectors

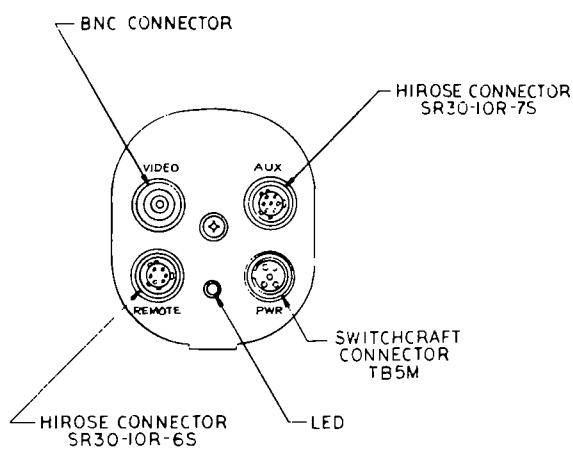
BNC connector—Video Out
Switchcraft TB5M—Power In
Hirose SR30-10R-6S—Remote
Switchcraft TB4M—Lens Drive (8410 only)

Hirose SR30-10R-7S—Auxiliary Output (8420 only)

8410 & 8420 SERIES DIMENSIONS



8410 Series Industrial



8420 Series Scientific

8410 & 8420 SERIES ULTRA-HIGH-RESOLUTION CCD CAMERA

ORDERING INFORMATION

84X	X	—	X	X	X	/ XXXX
Housing Options	Power Options		Sync Options	Optical Filter	Video Format	Lens Options
1 Indoor Industrial	0 Requires external ±15V dc, +5V dc (12V ac for line lock)		2 Genlock (revert to crystal)	0 None	10 RS-170 (EIA)	0000 None
2 Indoor Scientific	5 115V ac with external power supply		3 Genlock (revert to phase adjustable line lock)	1 I.R. Filter (for general use)		Manual Iris Lenses AL09 9mm, f/1.3 (2/3") AL12 12.5mm, f/1.4 (1") AL16 16mm, f/1.4 (2/3") AL25 25mm, f/1.4 (1") AL50 50mm, f/1.4 (1") AL75 75mm, f/1.8 (1")
			4 Phase adjustable line lock	2 I.R. Filter (for microscope use)		Auto Iris Lenses (for use on 8415 Series only) ES08 8mm, f/1.4 (2/3") ES12 12.5mm, f/1.4 (1") ES16 16mm, f/1.4 (2/3") ES25 25mm, f/1.4 (1") ES50 50mm, f/1.4 (1") ES75 75mm, f/1.8 (1")
			5 Crystal			Please consult factory for other lens selections.
			7 External H & V Drive			

COHU RESERVES THE RIGHT TO CHANGE SPECIFICATIONS WITHOUT NOTICE.

SPECIAL FEATURES

Cohu welcomes the opportunity to provide special features to better serve your particular application. Some examples of special features are: custom painting, silk screen and logo; special filters; and special lens supports and mounting configurations. Please contact Cohu concerning these or other special features.

CONNECTOR CONFIGURATIONS

LENS (8410 ONLY)

1	Lens Video
2	Chassis Ground
3	Power
4	Ground

REMOTE

1	Composite Sync Input
2	Select C (Future)
3	Vertical Reset (Future)
4	Horizontal Reset (Future)
5	Select Low-Light Mode
6	Select Dual-Field Mode
7	Ground

AUX (8420 ONLY)

1	Pixel Clock Output (-)
2	Pixel Clock Output (+)
3	Blanking (+)
4	Blanking (-)
5	Composite Sync Out (+)
6	Composite Sync Out (-)

POWER

1	-15V
2	+15V
3	60 Hz
4	+5V
5	Ground

NEW!

HIGH PERFORMANCE COLOR CCD CAMERA

1300 SERIES

NTSC/PAL 1/2" On-Chip-Microlens Interline Transfer Imager

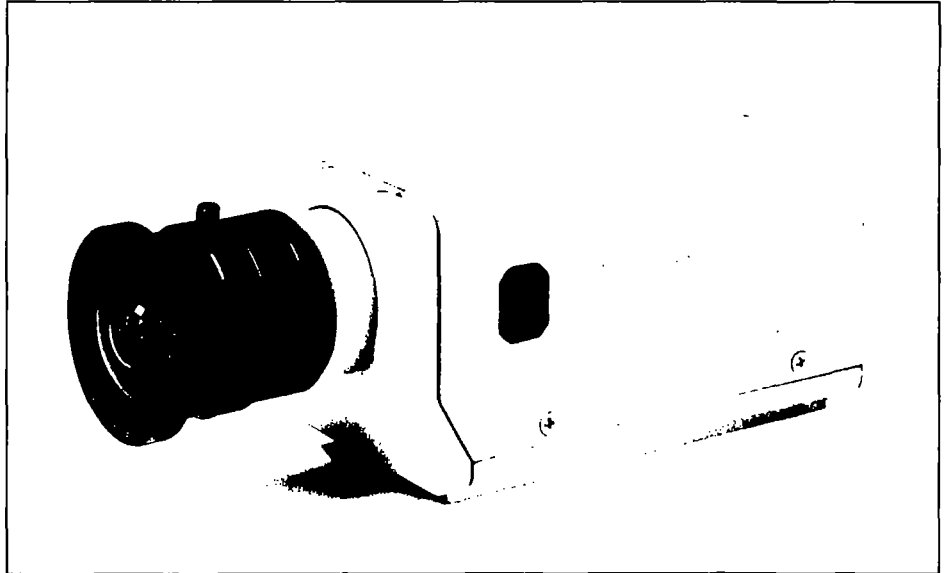
Cohu's new 1310 Series High Performance Color Cameras offers the ultimate in color vibrancy, picture clarity, and reliability. With a resolution of 460 horizontal lines (450 PAL), and a size measuring only 4" x 2" x 2", the 1300 Series combines the performance edge with a compact size for critical applications such as security, surveillance, and traffic management.

Special on-chip microlens sensor technology dramatically increases sensitivity while reducing blooming. Conveniently located adjustment pots make set up easy and fast. Gain, color balance, and externally-controlled integration setting are available on the back panel. An optional electronic iris feature is available that eliminates the need for an auto iris lens under most lighting conditions.

Designed and manufactured in the U.S.A., the 1300 Series cameras pack traditional Cohu engineering and technology excellence into a small and affordable enclosure. Cohu, Inc./Electronics Division is ISO-9001 certified.

APPLICATIONS

- Surveillance
- Perimeter Security
- Access Control
- Traffic Surveillance
- Bridges and Tunnels
- Inspection and Toll Plaza
- Transportation
- Mass Transit Systems



The Cohu 1300 Series features high performance color video in an exceptionally small enclosure.

FEATURES AND BENEFITS

- On Chip Microlens Interline Transfer Sensor provides high sensitivity and reduces blooming and transfer smear
- High Resolution - up to 460 horizontal TV lines (NTSC) for sharper images
- Small Size - only 4" x 2" x 2"
- Integration - externally controllable for low light imaging
- Standard Auto Iris - Electronic iris and DC iris optional
- Convenient Rear Panel Function Controls for precision adjustment
- High Signal-to-Noise Ratio provides clear, noise-free images
- 1000:1 Overload Capability prevents light overloads that cause blooming
- AGC for clear images in varying light conditions
- Optional crystal genlock or phase adjustable linelock synchronization
- C and CS lens mounts
- Optional top mounting accessory
- Made in U.S.A. - direct factory support
- Two Year Warranty
- Meets FCC Class B requirements

1300 HIGH PERFORMANCE COLOR CCD CAMERA

SPECIFICATIONS

ELECTRICAL

Imager

Single interline transfer CCD with matrix filter (cyan, yellow, magenta, green)

Image Area

6.4 x 4.8 mm (1/2" format)

Active Picture Elements

NTSC: 768 (H) x 494 (V)

PAL: 752 (H) x 582 (V)

Resolution

NTSC: 460 horizontal TV lines

350 vertical TV lines

PAL: 450 horizontal TV lines

415 vertical TV lines

Sensitivity (3200K faceplate illumination)

6.5 lux at full video, AGC off

0.3 lux at 80% video, AGC on

.08 lux at 30% video, AGC on

Shutter

Internal DIP switch, 1/60 to 1/10,000, 8 steps

Electronic Shutter (Optional)

1/60 to 1/15,000 sec. auto-compensates for scene illumination

Integration

Externally controllable 1/60 to 16 sec.

Gamma

0.6

AGC

0-20 dB (on/off), selectable (local/remote)

Signal-to-Noise Ratio

46 dB (AGC off, NTSC with 4.5 MHz filter)

Video Output

Encoded NTSC and PAL, 1 V p-p @ 75 ohms, unbalanced composite,

Auto Lens Output

Controls auto iris lens

DC Iris Option

Controls aspherical lens

Color Balance

Automatic, through-the-lens type, less than 10 IRE units unbalance from 2850 to 5800 K;

Local/Remote Manual White Balance

Synchronization Options

NTSC or PAL, crystal, genlock, or phase adjust linelock

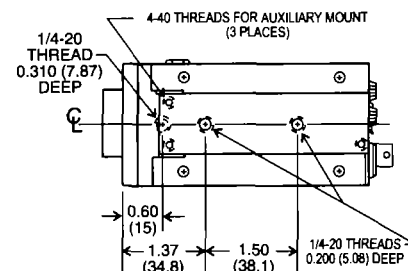
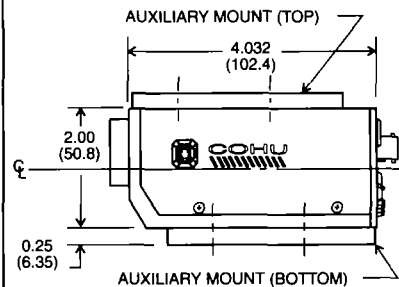
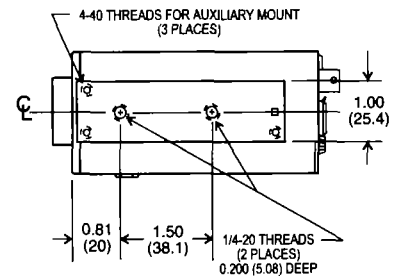
Power Requirements

12 VDC or 12 VAC

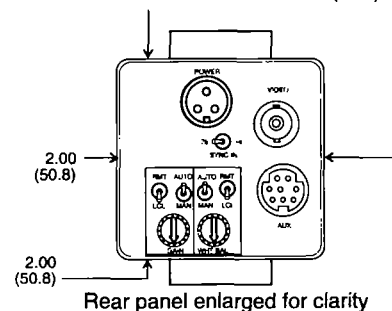
Power Consumption

7.5 W

DIMENSIONS



All dimensions in inches and (mm)



ENVIRONMENTAL

Ambient Temperature Limits

Operating: -20° to 50° C, -4° to 122° F

Storage: -30° to 70° C, -22° to 157° F

Humidity

Up to 95% relative, non condensing

Vibration (less lens)

Per Mil-STD-810(E), Method 514.4,

Categories 1, 4, 5, 8, 9, 10

Shock (less lens)

No damage to 30 g, 11 ms duration

No crash hazard to 75 g, 11 ms duration

NEW! This camera is available in 3" and 4 1/2" sealed and pressurized environmental enclosures. Contact your Cohu representative for full information.

MECHANICAL

Weight (less lens)

10 oz., (280 g.)

Lens Mount

C/CS standard

Camera Mounts

1/4-20 female, top and bottom

Connectors (NTSC and PAL)

Video Out: BNC

Lens Drive: 4 pin

Power In: 3 pin connector

Remote: 8 pin mini-DIN

Rear Panel Adjustments

AGC on/off/remote

Manual Gain Control

Auto/Manual/Remote White Balance select

Manual White Balance adjust

ORDERING INFORMATION

13X

Configuration

2 - NTSC (60 Hz)

5 - PAL (50 Hz)

X

Power Option

2 - 12 VDC

7 - 12 VAC

-X

Sync

1 - NTSC XTAL

2 - NTSC Genlock

3* - NTSC Phase Adjust LL

5 - PAL XTAL

6 - PAL Genlock

*Requires Power Option 7

X

Iris Options

0 - Auto Iris

3 - Elec. Iris NTSC

4 - DC Iris

5 - Elec. Iris PAL

00

Unassigned

/XXXX

Lens Options

0000 None

Manual Iris/CS

A003 3.7 mm, f1.6, 1/2"

Contact factory for full lens selection.



P.O. Box 85623 • San Diego, CA 92186-5623
Phone (619) 277-6700 • FAX (619) 277-0221

COHU
Cohu, Inc./Electronics Division

**Two Year
Warranty!**

HIGH PERFORMANCE COLOR CCD CAMERAS

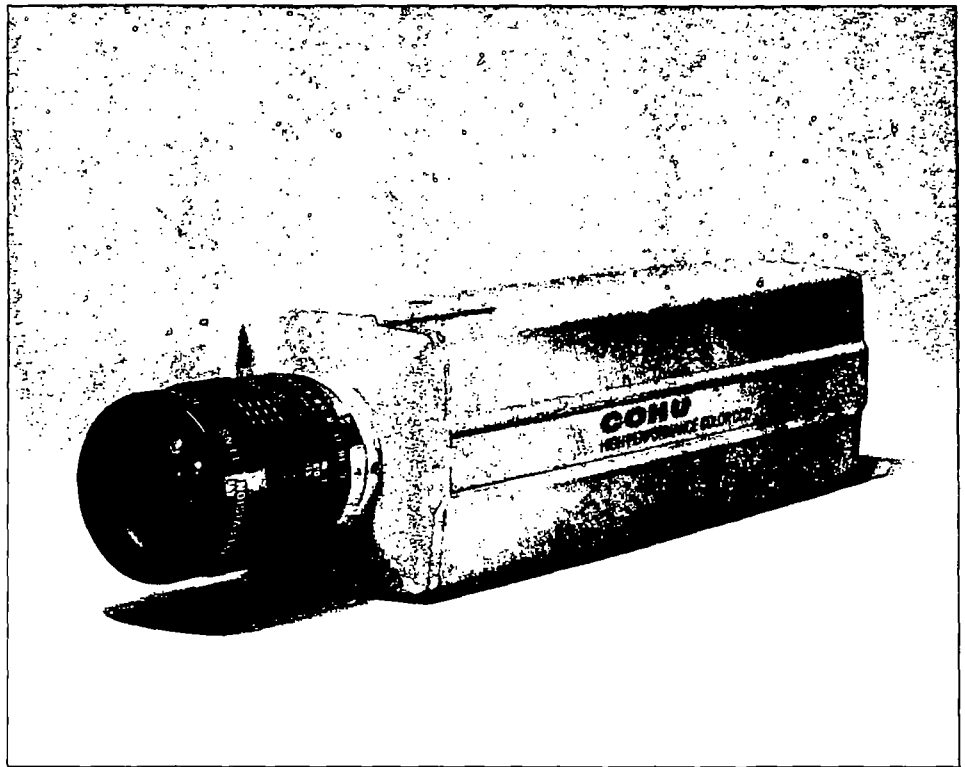
8210 & 8310 SERIES

**NTSC/Y-C, PAL/Y-C, RGB Models
On-Chip-Microlens Sensor**

Cohu's 8210 and 8310 Series High Performance Color CCD Cameras offer the ultimate in color vibrancy, picture clarity and reliability. They employ a half-inch interline transfer sensor with on-chip microlenses for exceptional sensitivity and minimal blooming. Y-C video outputs on NTSC and PAL models let you do high resolution recordings on Super VHS media. RGB models are also available.

8210 and 8310 Series cameras feature convenient side-panel access to electronic shutter, integration, gain, and other camera controls. And an optional electronic iris eliminates the need for an auto iris lens in most lighting conditions.

Designed and manufactured in the U.S.A., 8210 and 8310 Series High Performance Color CCD Cameras are backed by a two-year warranty. They are available with a wide range of optional features. OEM engineering requests are welcome.



Cohu High Performance Color CCD Camera

FEATURES AND BENEFITS

- **On-Chip-Microlens Interline Transfer Sensor** provides high sensitivity and reduces blooming and transfer smear.
- **High Resolution** — up to 460 horizontal TV lines (NTSC) for sharper images
- **High Sensitivity** — permits operation over a wide range of light levels
- **NTSC/Y-C and PAL/Y-C Models** provide S-VHS output for high-resolution VCR recordings.
- **Selectable Integration** for microscopy and low-light video
- **Optional Electronic Iris** automatically controls exposure, eliminating need for auto iris lens.
- **Side Panel Access to Function Controls** — for convenient, precision control
- **NTSC/Y-C and PAL/Y-C Models Feature Color Lock** for consistent color rendition in multi-camera applications
- **High Signal-to-Noise Ratio** provides better dynamic range.
- **Eight-Speed Electronic Shutter** reduces blurring of fast-moving objects
- **1000:1 Overload Capability** permits incidental light overloads up to ten times that of other CCD cameras
- **AGC with Peak-Average Adjustment** for clear images in varying light levels
- **Choice of "C" or "CS" Lens Mounts**
- **Made in U.S.A.** — direct factory support.
- **Two Year Warranty**

APPLICATIONS

- **Security/Surveillance**
Perimeter Security
Traffic Safety and Control
General Surveillance
- **Microscopy**
- **Image Processing**
Medical and Industrial
- **Machine Vision**
Pattern Recognition
Non-Contact Measurement
3-D Imaging
Inspection
- **Robotics**

Designed and manufactured in U.S.A.

COHU
Cohu, Inc./Electronics Division

8210 & 8310 HIGH PERFORMANCE COLOR CCD CAMERAS

SPECIFICATIONS

ELECTRICAL—NTSC/Y-C AND PAL/Y-C MODELS

Imager

Single interline transfer CCD with matrix filter (cyan, yellow, magenta, green)

Image Area

6.4 x 4.8 mm ($\frac{1}{2}$ " format)

Active Picture Elements

NTSC/Y-C: 768(H) x 494(V)

PAL/Y-C: 752(H) x 582(V)

Resolution

NTSC/Y-C: Horizontal 460 TV lines
Vertical 350 TV lines

PAL/Y-C: Horizontal 450 TV lines
Vertical 415 TV lines

Sensitivity

3200 K faceplate illumination.
6.5 lux at full video, AGC Off.
0.5 lux at 80% video, AGC On.

Electronic Shutter

Switch selectable, $\frac{1}{60}$ second (off) to $\frac{1}{10,000}$ second (8 steps)

Integration

Switch selectable, 2 to 16 fields (8 steps). Grab pulse available

Gamma

0.5

AGC

0-20 dB
Peak-average adjustable

Signal-to-Noise Ratio (AGC Off)

48 dB (NTSC with 4.5 MHz filter)
48 dB (Y output with 6 MHz filter)

Video Outputs

Encoded: NTSC and PAL

1 V p-p @75 ohms, unbalanced, composite

S Video:

Y: 1 V p-p @75 ohms, unbalanced, composite
C: 0.285 V p-p

Auto Lens Output

Peak-average characteristic tracks
AGC adjustment to eliminate
AGC/auto lens interaction

Color Lock

Burst phase adjustment
Horizontal phase adjustment

Color Balance

Through-the-lens type
Less than 10 IRE units unbalance
from 2850 to >5800 K

Synchronization

NTSC or PAL crystal, color lock standard

Power Requirements

12V ac or dc (standard)
115V ac, 60 Hz for NTSC models (optional, with wall transformer)
230V ac, 50 Hz for PAL models (optional, with wall transformer)

Power Consumption

4.5W

ENVIRONMENTAL

Ambient Temperature Limits

Operating: -20 to 50 °C
(-4° to 122° F)
Storage: -30 to 70 °C
(-22° to 157° F)

Humidity

Up to 95% relative humidity

Vibration (less lens)

Sine vibration from 5 to 2,000 Hz, 5 g's peak, all 3-axis, 1/2 hr. per axis per MIL-E-5400T, para 3.2.24.5.1.2, fig. 2, curve IIIa.
Random vibration from 10 to 2,000 Hz, 11 g's rms, all 3-axis, 1/2 hr. per axis, per MIL-E-5400T, para 3.2.24.5.1.2, category 6.

Shock (less lens)

Up to 15 g's in any axis under nonoperating conditions, MIL-E-5400T, paragraph 3.2.24.6

MECHANICAL

Dimensions

Please see dimensional drawings.

Weight (less lens)

23 ounces (.65 kg) (12 V model)

Lens Mount

"CS" mount standard, "C" mount adapter furnished

Connectors (NTSC/Y-C and PAL/Y-C Models Only)

BNC connector—Video Out
4 Circuit MINI-DIN — Y-C
3 Circuit MINI-DIN — Lens Drive
2 Circuit Terminal Strip — Power In
8 Circuit MINI-DIN — Remote

Connectors (RGB Models)

BNC connector — Video Out
8 Circuit MINI-DIN — Remote 1
7 Circuit MINI-DIN — Sync
2 Circuit Terminal Strip — Power In
9 Circuit D-Sub — RGB Out

NTSC/Y-C and PAL/Y-C Side

Panel Adjustments

Shutter/Off/Integrate Selection
8-position Shutter/Integrate Switch
AGC On/Off Selection
AGC Peak/Average Adjustment
Auto/Manual/Remote White Balance Selection
White Balance Adjustment

RGB Side Panel Adjustments

Shutter/Off/Integrate Selection
8-position Shutter/Integrate Switch
AGC Peak/Average Adjustment
AGC/Manual/Remote Selection
Gain Adjustment
Vertical Phase Adjustment
Horizontal Phase Adjustment

ELECTRICAL—RGB MODELS

Imager

Single interline transfer CCD with matrix filter (cyan, yellow, magenta, green)

Image Area

6.4 x 4.8 mm ($\frac{1}{2}$ " format)

Active Picture Elements

RGB/60: 768(H) x 494(V)

RGB/50: 752(H) x 582(V)

Resolution

RGB/60: Horizontal 450 TV lines
Vertical 350 TV lines

RGB/50: Horizontal 430 TV lines
Vertical 415 TV lines

Sensitivity

3200 K faceplate illumination.
13 lux at full video, AGC Off.
1.1 lux at 80% video, AGC On.

AGC

0-20 dB
Peak-average adjustable

Gamma

0.5 or 1.0

Electronic Shutter

Switch selectable, $\frac{1}{60}$ second (off) to $\frac{1}{10,000}$ second (8 steps)

Integration

Switch selectable, 2 to 16 fields (8 steps); grab pulse available

Power Requirements

12V ac or dc (standard)
115V ac, 60 Hz for NTSC models (optional, with wall transformer)
230V ac, 50 Hz for PAL models (optional, with wall transformer)

Power Consumption

4.5W

Video Outputs

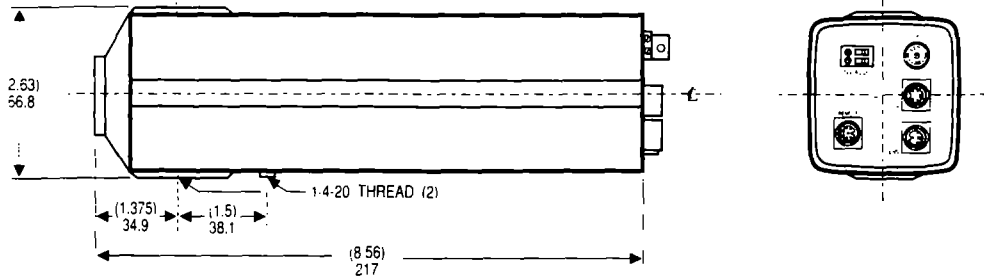
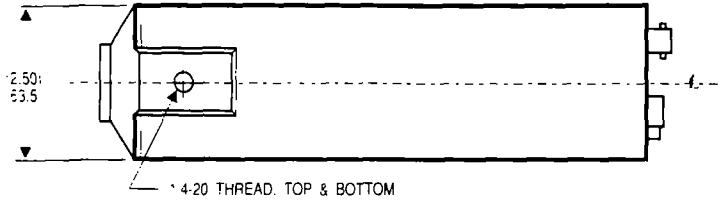
RGB, per channel: 0.714 V p-p @75 ohms, unbalanced; sync on green, jumper selectable

Sync: 0.4 V p-p @75 ohms, unbalanced

Synchronization

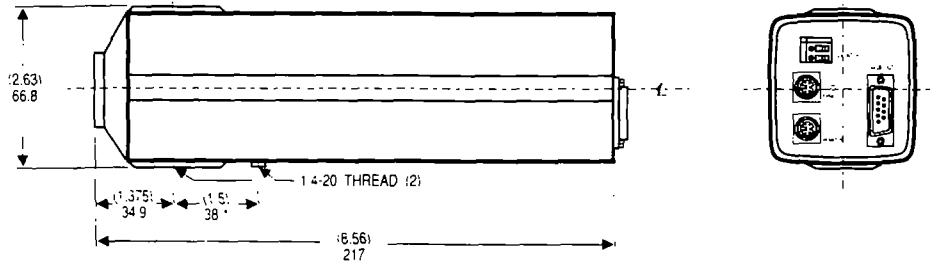
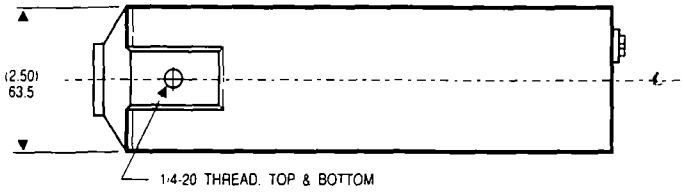
Genlock. H & V drive

DIMENSIONS OF NTSC/Y-C AND PAL/Y-C MODELS



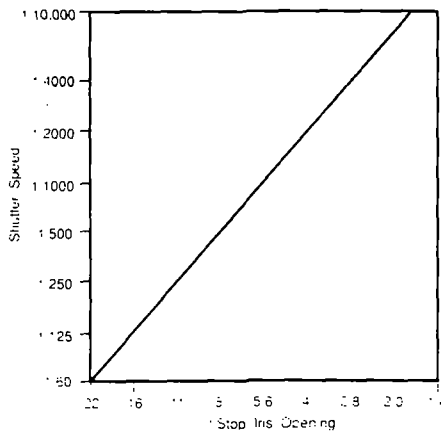
NOTE: UNLESS OTHERWISE DESIGNATED, ALL DIMENSIONS IN MM AND (INCHES)

DIMENSIONS OF RGB MODELS

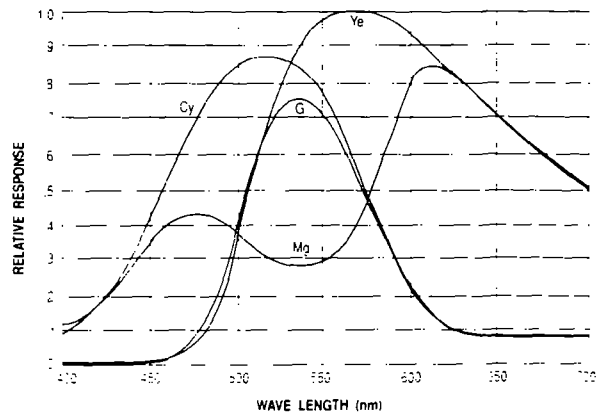


NOTE: UNLESS OTHERWISE DESIGNATED ALL DIMENSIONS IN MM AND (INCHES).

TYPICAL f/STOP VS. SHUTTER



MATRIX FILTER COLOR RESPONSES



8210 & 8310 SERIES HIGH PERFORMANCE COLOR CCD CAMERAS

ORDERING INFORMATION

8X1	X	—	X	XXX	/	XXXX
Configuration	Power Options		Video Format	Module Options		Lens Options
2 NTSC Format (60 Hz)	2 12V ac/dc, 50/60Hz		1 NTSC/Y-C or PAL/Y-C	000 None		0000 None
3 PAL Format (50 Hz)	3 230V ac, 50 Hz, with wall transformer and connector (8310 Series only)		2 RGB/60 or RGB/50	300 Electronic Iris*		Manual Iris, CS Mount AO03 3.7mm, f/1.6, 1/2" AO06 6mm, f/1.4, 1/2" AO13 12mm, f/1.4, 1/2" Manual Iris, C Mount AL04 4.5mm, f/2.0, 2/3" AL06 6.5mm, f/1.8, 2/3" AL08 8mm, f/1.4, 2/3" AL12 12.5mm, f/1.4, 1" AL16 16mm, f/1.4, 2/3" AL26 25mm, f/1.6, 2/3" AL51 50mm, f/2.8, 2/3" AL75 75mm, f/1.8, 1"
	4 24/28 V ac/dc, 50/60 Hz			* Electronic Iris option is designed for use with manual iris lenses only. When enabled, this option defeats electronic shutter and integration positions.		Auto Iris, CS Mount EH04 3.7mm, f/1.6, 1/2" EH06 6mm, f/1.4, 1/2" EH13 12mm, f/1.4, 1/2" Auto Iris, C Mount ES05 4.8mm, f/1.8, 2/3" ES06 6mm, f/1.2, 1/2" ES08 8mm, f/1.4, 2/3" ES16 16mm, f/1.4, 2/3" ES25 25mm, f/1.4, 1" EH35 35mm, f/1.4, 2/3"
	5 115V ac, 60 Hz, with wall transformer and connector (8210 Series only)					
<p>PLEASE NOTE: Cohu welcomes the opportunity to provide special features to better serve your particular requirement. For example, custom painting, silkscreen and logo for OEM customers and special connector pin configurations can be ordered. Please contact Cohu for details.</p>						
<p>COHU RESERVES THE RIGHT TO CHANGE SPECIFICATIONS WITHOUT NOTICE</p>						

NTSC, PAL CONNECTOR CONFIGURATIONS	
LENS	REMOTE
1 Power	1 Auto/Man White Balance
2 Lens Video	2 White Balance
3 Ground	3 Sync/Video In (color lock)
	4 Shutter On/Off
	5 +5
	6 Ground
	7 Ground
	8 Grab Pulse
Y-C	
1 Y—Ground	
2 C—Ground	
3 Y	
4 C	

RGB CONNECTOR CONFIGURATIONS	
REMOTE	SYNC
1 Blue Level	1 Grab Pulse
2 Red Level	2 Vertical Drive Out
3 Sync/Horizontal In	3 Horizontal Drive Out
4 Shutter On/Off	4 Clock Out
5 +5	5 Ground
6 Vertical In	
7 Ground	RGB
8 External Gain	1 Ground
	2 Ground
	3 R
	4 G
	5 B
	6 NC
	7 Sync
	8 NC
	9 NC



5755 Kearny Villa Road • San Diego, CA 92123
 Phone: (619) 277-6700 • FAX: (619) 277-0221 • TWX: 910-335-1244



NEW!

HIGH PERFORMANCE COLOR CCD CAMERA

2200 SERIES

NTSC/PAL, Y-C, RGB 1/2" On-Chip- Microlens Interline Transfer Imager

Cohu's new 2200 Series High Performance Color Cameras offers the ultimate in flexibility, features, color vibrancy, picture clarity, and reliability. With a resolution of 460 horizontal lines (450 PAL), and a size measuring only 4" x 2" x 2", the 2200 Series combines the performance edge with a compact size for industrial and scientific applications such as machine vision, medical analysis, and metrology.

The Model 2200 can offer simultaneous NTSC (or PAL), Y-C, and RGB outputs to simplify image processing and display. Special on-chip microlens sensor technology dramatically increases sensitivity while reducing blooming.

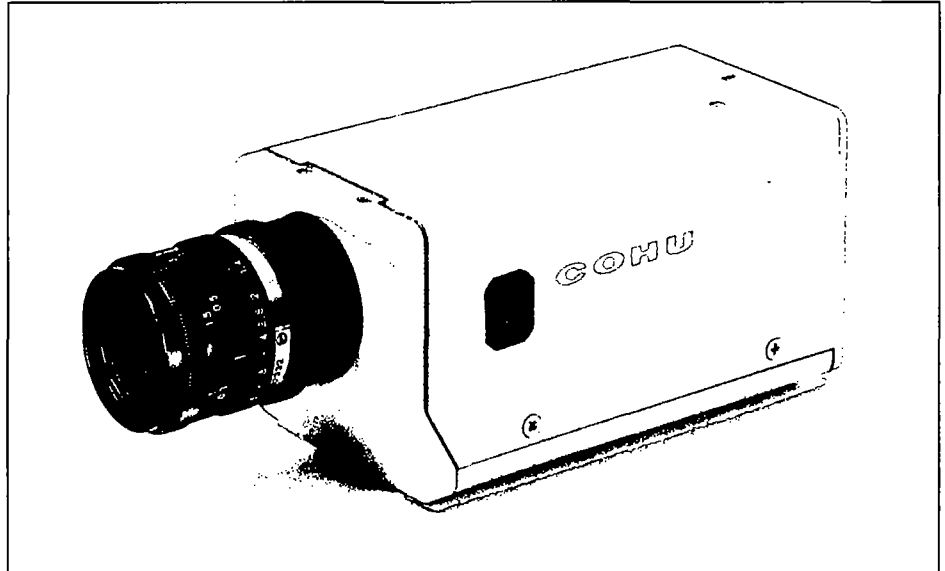
Gain, asynchronous reset, color balance, and externally-controlled integration setting are easily accessed. Optional features include RGB, genlock, electronic iris, and automatic or sample and hold white balance.

All Cohu cameras are manufactured in the U.S.A. and come with a two-year warranty and the support of experienced Applications Engineers to help make sure you achieve everything you expect from your camera.

Cohu is ISO-9001 certified.

APPLICATIONS

- Machine Vision
- Medical Analysis
- Portrait Studio
- Agricultural Processing
- Microscopy (low light)
- Inspection
- Optical Measurement



Get a feature-rich, high performance camera in a compact, lightweight package with a Cohu 2200.

FEATURES AND BENEFITS

- On Chip Microlens Interline Transfer Sensor provides high sensitivity and reduces blooming and transfer smear
- High Resolution - up to 460 horizontal TV lines for sharper images
- Small Size - only 4" x 2" x 2"
- Integration - externally controllable for low light imaging
- Asynchronous Reset
- Rear Panel Controls for precision adjustment
- High Signal-to-Noise Ratio provides clear, noise-free images
- 1000:1 Overload Capability prevents light overloads that cause blooming
- Manual Gain and Color Balance
- Optional crystal genlock
- C lens mount standard, CS optional
- Optional top or bottom mounting accessory
- Made in U.S.A. - direct factory support
- Two Year Warranty
- Meets FCC Class B and VDE Class B requirements

2200 HIGH PERFORMANCE COLOR CCD CAMERA

SPECIFICATIONS

ELECTRICAL

Imager

Single interline transfer CCD with matrix filter (cyan, yellow, magenta, green)

Image Area

6.4 x 4.8 mm (1/2" format)

Active Picture Elements

NTSC and RGB/60:
768 (H) x 494 (V)

PAL and RGB/50:
752 (H) x 582 (V)

Resolution

NTSC/Y-C 460 horizontal TV lines

RGB/60: 350 vertical TV lines

PAL/Y-C 450 horizontal TV lines

RGB/50: 415 vertical TV lines

Sensitivity (3200K faceplate illumination)

6.5 lux at full video, AGC off

0.3 lux at 80% video, AGC on

.08 lux at 30% video, AGC on

Shutter

Internal DIP switch, 1/60 to 1/10,000, 8 steps

Electronic Iris (Optional)

1/60 to 1/15,000 sec. auto-compensates for scene illumination

Integration

1/60 to 16 fields (active high)

Gamma

0.6

Gain AGC/Manual

0-20 dB (on/off), selectable (local/remote)

Signal-to-Noise Ratio

46 dB (AGC off @ 6.5 lux 4.5 MHz filter)

Video Output

Encoded NTSC and PAL: 1 V p-p @

75 ohms, unbalanced composite;

S Video Y: 1 V p-p @ 75 ohm

S Video C: .285 V p-p

RGB (per channel): 0.714 V p-p @ 75

ohms, unbalanced; sync on green,

0.4 V p-p @ 75 ohms unbalanced

Auto Lens Output

Non-AGC video, DC iris drive optional

Color Balance

Automatic, through-the-lens type, less than 10 IRE units unbalanced from 2850 to 5800 K;

Local/Remote Manual White Balance

Synchronization Options

NTSC or PAL: crystal, asynchronous reset

RGB: Genlock, H&V drive (optional)

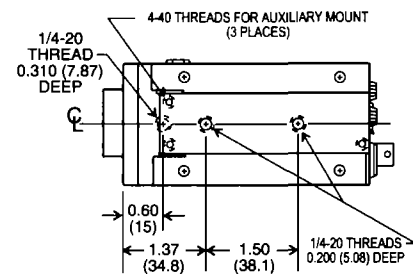
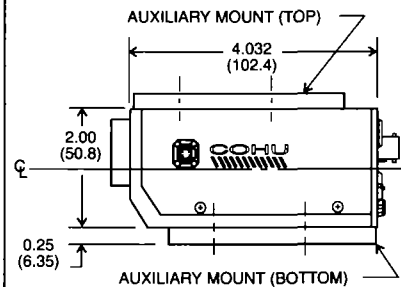
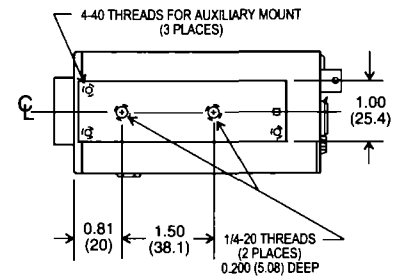
Power Requirements

12 VDC \pm 10%

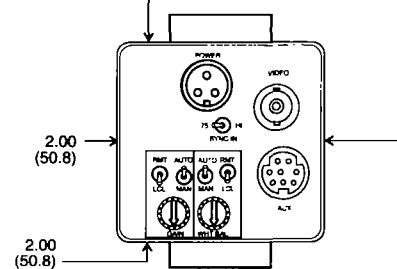
Power Consumption

6 W

DIMENSIONS



All dimensions in inches and (mm)



Rear panel configuration will depend upon options selected.

ENVIRONMENTAL

Ambient Temperature Limits

Operating: -20° to 50° C, -4° to 122° F

Storage: -30° to 70° C, -22° to 157° F

Humidity

Up to 95% relative, non condensing

Vibration (less lens)

Per Mil-STD.-810(E), Method 514.4, Categories 1, 4, 5, 8, 9, 10

Shock (less lens)

No damage to 30 g, 11 ms duration

No crash hazard to 75 g, 11 ms duration

MECHANICAL

Weight (less lens)

10 oz., (280 g.)

Lens Mount

C/C standard

Camera Mounts

1/4-20 female, top and bottom

Connectors

Video Out: BNC; Y-C/RGB: 12 pin Aux

Lens Drive: 4 pin connector

Power In: 3 pin connector

Aux: 12 pin connector

ORDERING INFORMATION

22X

X

-X

X

X

X

/XXXX

Format
2 - NTSC/Y-C
5 - PAL/Y-C

Power Option
2 - 12 VDC

Sync
1 - NTSC XTAL
 Async Reset
2 - NTSC Genlock
 H&V Drive
5 - PAL XTAL
 Async Reset
6 - PAL Genlock/H&V Drive

Iris Options
0 - Auto Iris
3 - Elec. Iris NTSC*
5 - Elec. Iris PAL*

Color
0 - Manual white bal.
2 - Auto white bal.
3 - Sample & hold
4 - RGB output

Unassigned

Lens Options
0000 None

Contact your Cohu representative or the factory for full lens selection.

* For manual iris lenses only.



P.O. Box 85623 • San Diego, CA 92186-5623
Phone (619) 277-6700 • FAX (619) 277-0221

COHU
Cohu, Inc./Electronics Division

**Microlens Sensor
Technology**

HIGH PERFORMANCE COLOR ENVIRONMENTAL CCD CAMERA

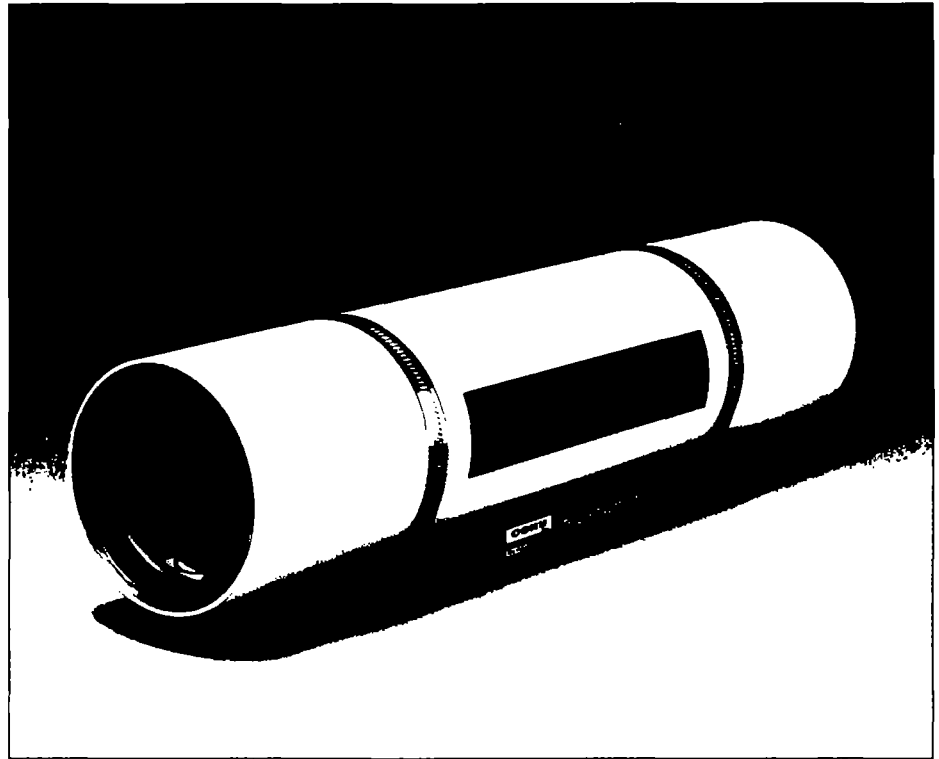
8240 SERIES

Cohu's 8240 Series is the leader in high resolution, environmentally secure CCD cameras. Special on-chip microlens sensor technology dramatically increases sensitivity while offering excellent color vibrancy, picture clarity, and reliability. The rugged, 4.5" diameter environmental housing is designed to stand up to even the harshest weather conditions.

The 8240 Series cameras provide 460 TV lines of horizontal resolution - a significant performance edge for critical applications such as security, surveillance, and traffic management.

For video applications prone to streaking problems, the microlens sensor provides a 1000:1 overload capability, which allows transmission of clear video signals, even when bright, incidental light is present in the scene.

The 8240 Series High Performance CCD cameras' sealed and pressurized environmental enclosure provides maximum protection against rain, snow, dust, humidity, chemical pollutants, extreme temperatures, and other environmental hazards.



The Cohu 8240 Series offers high performance in a rugged housing.

FEATURES AND BENEFITS

- **Superior Resolution** - 460 horizontal TV lines for sharper images
- **On-Chip Microlens Inter-line Transfer** dramatically increases sensitivity and virtually eliminates blooming
- **Sealed, Pressurized Environmental Housing** protects against harsh weather conditions
- **Internal Heater** allows camera to be installed in the coldest of climates
- **Selectable Integration** for low light video
- **Zero Geometric Distortion** ensures precision measurement
- **Color Lock** for consistent color rendition in multi-camera applications
- **Two Year Warranty**
- **Made In U.S.A.** for direct factory support
- **High Signal-to-Noise Ratio** provides better dynamic range

OPTIONS

- **Programmable Source ID Generator** permits incorporation of detailed messages on monitor screens
- **Fiber Optic Transmitter** for transmission of the video signal over long distances without interference or signal loss
- **Choice of Voltages**
- **Two-Digit Source ID Generator**
- **Special Engineering Revisions**

8240 SERIES HIGH PERFORMANCE COLOR CCD CAMERAS

SPECIFICATIONS

ELECTRICAL

Imager

Single interline transfer CCD with matrix filter (cyan, yellow, magenta, green)

Image Area

6.4 x 4.8 mm (1/2-inch format)

Active Picture Elements

768(H) x 493(V)

Resolution

Horizontal 460 TV lines

Vertical >350 TV lines

Sensitivity

3200 K faceplate illumination.

6.5 lux at full video, AGC Off.

0.5 lux at 80% video, AGC On.

Electronic Shutter*

External switch selectable, on/off.

Internal switch selectable, 1/60

second (On) to 1/10,000 second in 8 steps

Integration*

External switch selectable, on/off.

Internal switch selectable, 2 to 16 fields (8 steps).

Gamma

0.5

AGC*

0-20 dB

Internal peak-average adjustment

Signal-to-Noise Ratio (AGC Off)

48 dB (NTSC with 4.5 MHz filter)

Video Outputs**Encoded: NTSC**

1 V p-p @75 ohms, unbalanced, composite

S-VHS Video (wiring requires**Engineering Revision):**

Y: 1 V p-p @75 ohms, unbalanced, composite

C: 0.285 V p-p

Auto Lens Operation

Peak-average characteristic tracks

AGC adjustment to eliminate

AGC/auto lens interaction

Color Lock

Burst phase adjustment

Horizontal phase adjustment

Color Balance

Through-the-lens type

Less than 10 IRE units unbalance

from 2850 to >5800 K

Synchronization

EIA RS-170 crystal, color lock

standard

Power Requirements

12V ac or dc (standard), 115V ac

Power Consumption

4.5W, camera only

54.5 W, camera with heater

ENVIRONMENTAL

Ambient Temperature Limits

Operating:

-20 to 50 °C (-4° to 122° F)

-40 to 50 °C (-40° to 122° F) with optional heater

Storage:

-30 to 70 °C (-22° to 157° F)

Humidity

Up to 100% relative humidity

Vibration (less lens)

Sine vibration from 5 to 60 Hz with

0.082 inch total excursion (15 g's

@ 60 Hz). Random vibration from

60 to 1000 Hz, 5 g's rms

(0.027g²/Hz) without damage

Shock (less lens)

Up to 15 g's, 11ms, in any axis

under nonoperating conditions,

MIL-E-5400T, paragraph 3.2.24.6

Altitude

Sea level to equivalent of

3,000m/10,000 feet (508mm/20

inches of mercury)

Air Contaminants

Withstands exposure to sand, dust,

fungus, and salt atmosphere, per

MIL-E-5400T, paragraph 3.2.24.7,

3.2.24.8, and 3.2.24.9

Explosion

MIL-E-5400T, paragraph 3.2.24.10

Acoustic Noise

Can withstand environments

greater than 150 dB continuously

for 30 minutes

EMI

FCC rules, Part 15, Subpart J, for

Class A devices

Withstands exposure to sand, dust,

fungus, and salt atmosphere, per

MIL-E-5400T, paragraph 3.2.24.7,

MECHANICAL

Dimensions

Please see dimensional drawings.

Weight (including 10:1 zoom**lens)**

11 pounds, 2 ounces (115V model)

Lens Mount

"CS" or "C" mount

Housing Mount

1/4-20 threaded holes

Allows enclosure to be rotationally

oriented in 90° increments

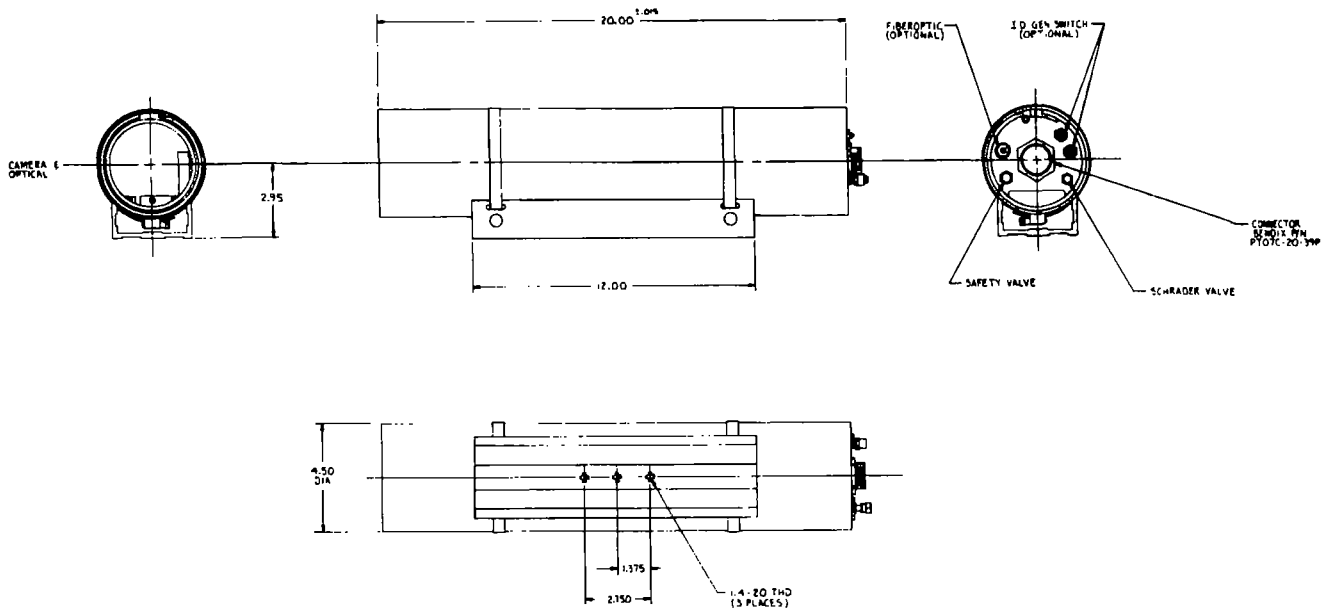
Purge/Relief Fitting

Schrader purge fitting

20 psi relief valve

* Please see Standard Features section on back cover.

8240 SERIES DIMENSIONS



NOTE: DIMENSIONS IN INCHES and (CM).

PIN CONFIGURATION

JI	PIN FUNCTION	JI	PIN FUNCTION
A	12/24 VAC POWER	a	PROG ID RXD -
B	REFERENCE RETURN	b	POSITION REFERENCE
C	EXT SYNC TERM.	c	AUTO/MAN IRIS SELECT
D	FOCUS POS F/B	d	12/24 VAC POWER
E	PROG ID RXD+	e	N/C
F	AUTOMAN WHITE BAL.	f	GROUND
G	REM. SHUTTER ON/OFF	g	+5 VDC OUT
H	N/C	h	TXD -
J	VIDEO GROUND	i	TXD +
K	VIDEO OUT	j	REM WHT BAL (MAN.)
M	EXT. SYNC IN	k	N/C
N	GROUND	l	N/C
P	GROUND	m	115 VAC NEU. HEATER
R	ZOOM	n	N/C
S	FOCUS	p	N/C
T	IRIS	q	N/C
U	LENS COMMON	r	115 VAC LINE HEATER
V	115 VAC NEU. POWER		
W	115 VAC LINE POWER		
X	GROUND		
Y	POS F/B. ZOOM		
Z	GROUND		

For reference only. Always consult the maintenance manual for complete information.

PROGRAMMABLE SOURCE I.D. GENERATOR

The optional Programmable Source ID Generator is a built-in electronic circuit which allows written messages to be superimposed over images displayed on CCTV monitors. Using a computer and RS-422 serial communication, a user types messages that will then appear on the monitor. Text is made up of block letters 28 horizontal TV lines in height. The letters are white with a black outline for maximum legibility. There are two modes of operation, as follows:

- 1. ID Mode:** Up to two lines of text (24 characters per line, including spaces) can be stored in non-volatile memory. Text can be placed at the top or bottom of the monitor screen, and can be updated from a computer or a dumb terminal, making this a real-time updatable programmable ID generator. Stored text, which typically provides information such as the location of individual cameras in multi-camera systems, will be continuously displayed until it is updated.

- 2. Menu Mode:** In this mode, up to 12 lines of 24 characters can be entered into volatile memory without affecting data stored in the ID Mode. A computer is required to enter data in this mode.

8240 SERIES HIGH PERFORMANCE COLOR CCD CAMERAS

ORDERING INFORMATION				
824X	X	XXX	XXXX	X
Power Options	Configuration	Module Options	Lens Options	Special Options
2 12V ac, 50/60 Hz	1 NTSC	000 None	0000 None	L Low Temperature Operation
4 24V ac, 50/60 Hz	(Note: Y-C, RGB and PAL configurations available as engineering revisions. Please consult factory.)	010 Fiber Optic Transmitter	Auto Iris, CS Mount EH04 3.7mm, f1.6, 1/2" EH06 6mm, f1.4, 1/2" EH13 12mm, f1.4, 1/2"	SS-425 Sunshield
5 115V ac, 50/60 Hz		052 Programmable Source ID Generator	Auto Iris, C Mount ES05 4.8mm, f/1.8, 2/3" ES08 8mm, f/1.4, 2/3" ES16 16mm, f/1.4, 2/3" ES25 25mm, f/1.4, 1" EH35 35mm, f/1.4, 2/3"	For remote control and other accessories, please consult the factory.
		053 Programmable Source ID Generator & Fiber Optic Transmitter	Zoom Lenses (1/2") Z06R 6:1, 8—48mm, f1.0 Z10R 10:1, 8—80mm, f1.2 P06R 6:1 with presets, f1.0 P10R 10:1 with presets, f1.2	

COHU RESERVES THE RIGHT TO CHANGE SPECIFICATIONS WITHOUT NOTICE.

NOTES ON STANDARD FEATURES

Electronic Shutter/Integration: Internal switches select shutter speeds or the number of integration fields, and enable or disable the external ON/OFF control of the internally-selected shutter or integration mode. These switches are set at the factory prior to sealing and pressurizing the environmental housing. The standard factory settings disable the external ON/OFF control and provide 1/60 second shutter speed. The switches can be set differently at the factory to customer specifications, or in the field by removing the camera from the housing.

AGC Peak/Average adjustment is made via an internal control, which is set at the factory prior to sealing and pressurizing the environmental enclosure. Customer may specify different setting upon ordering.

SPECIAL FEATURES

Cohu welcomes the opportunity to provide special features to better serve your particular requirement. Some examples of special features are:

Y-C (S-VHS) Output for VCR compatibility

RGB and PAL formats

Custom painting, silkscreen, and logo

Special filters, lens supports, and mounting solutions

Special adjustment of AGC peak/average control

Customer-specified setting of Electronic Shutter or Integration mode switches



5755 Kearny Villa Road • San Diego, CA 92123
Telephone: (619)277-6700 • FAX: (619)277-0221 • TWX: 910-335-1244

COHU
Cohu, Inc./Electronics Division

NEW!

HIGH PERFORMANCE REMOTE-HEAD MONOCHROME CCD CAMERA

4980 SERIES

**Cable Length to 100 Feet
On-Chip-Microlens Imager**

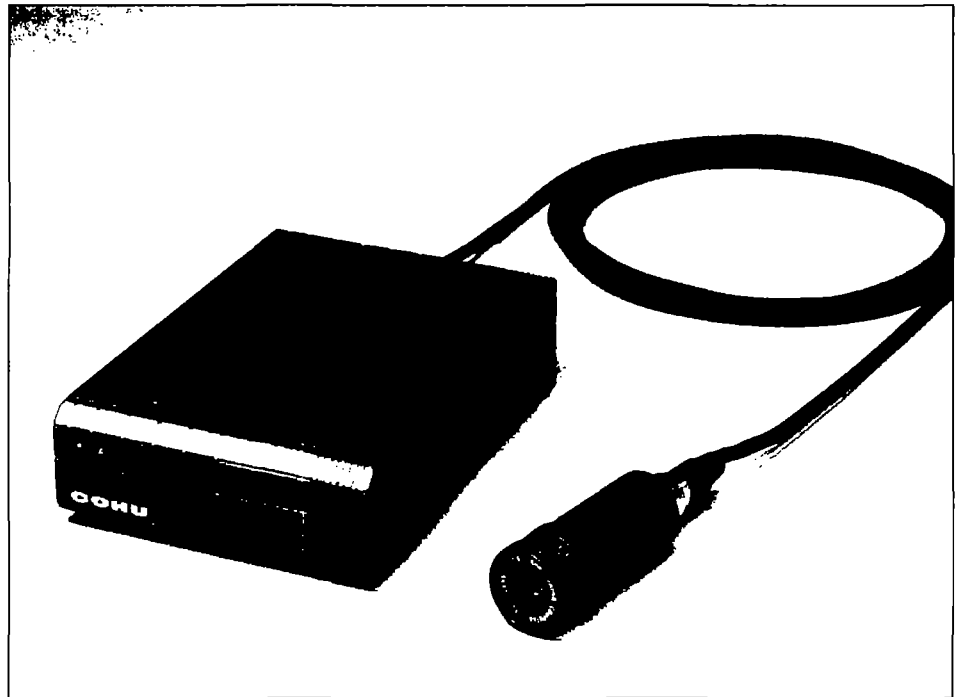
Cohu's new 4980 Series High Performance Monochrome Remote-Head CCD Cameras are the perfect solution for video applications requiring high performance in a compact package. The lightweight mini-remote head is easily incorporated into microscopes, medical instruments, and machine vision systems, and is ideal for specialized security/surveillance applications.

Available in RS-170 and CCIR models, these high resolution cameras employ a half-inch format interline transfer imager with on-chip microlenses for unparalleled sensitivity and minimal blooming. For additional sensitivity in low-light conditions, they provide 26 dB AGC and variable field/frame integration capabilities.

For video applications prone to streaking problems, the sensor provides a 1000:1 overload capability, which allows transmission of clear video signals even when bright incidental light is present in the scene.

4980 Series cameras are backed by a full two-year warranty. They're rugged, yet lightweight and compact — ideal for easy system integration. For easy access to camera controls, they have a removable trim plate on the camera control unit.

This camera is available in color models. Please request literature on Cohu's 8280 Series. We welcome requests for special products and complete CCTV systems.



The mini-remote head can be separated from the CCU by up to 100 feet of cable.

FEATURES AND BENEFITS

- **Compact, Lightweight Mini-Remote Head** — only 1.125" diameter means maximum flexibility for end users or OEMs
- **Variable length cable** up to 100 feet between head and CCU
- **Camera Head Connector** for complete interchangeability better definition, error-free results
- **High Resolution** — for better definition, error-free results
- **On-Chip-Microlens Interline Transfer Imager** dramatically increases sensitivity and virtually eliminates streaking and blooming.
- **Eight-Speed Electronic Shutter** reduces blurred images of fast-moving objects.
- **Choice of Synchronization Options** — Asynchronous reset, genlock, H & V drive, line lock, or crystal
- **High Signal-to-Noise Ratio** for clear, noise-free video
- **Optional Electronic Iris** automatically controls exposure.
- **Asynchronous Reset** provides random vertical reset capability for production line applications.
- **Made in U.S.A.** — direct factory support
- **1000:1 Overload Capability** permits incidental light overloads up to ten times that of other CCD cameras.
- **No Lag or Image Retention** — provides fast, clean images
- **Zero Geometric Distortion** for consistent corner-to-corner linearity
- **26 dB AGC** for increased sensitivity at low light levels
- **Optional IR Filter**
- **Field or Frame Integration** — for added sensitivity in low-light-level imaging applications
- **Choice of RS-170 & CCIR Models**
- **Two-Year Warranty**
- **Special Configurations** for OEMs and end users

APPLICATIONS

- **Image Processing**
- **Machine Vision**
- **Microscopy**
- **Endoscopy**
- **Process Control**
- **Quality Control**
- **Image Analysis**
- **Security/Surveillance**

4980 SERIES HIGH PERFORMANCE REMOTE-HEAD CCD CAMERA

SPECIFICATIONS

ELECTRICAL

Image Area

6.4 x 4.8 mm (corresponding to 1/2" image tube)

Active Picture Elements

RS-170: 768H x 494V

CCIR: 752H x 582V

Imager Type

Interline transfer CCD with on-chip microlenses

Cell Size

RS170: 8.4 x 9.8 microns

CCIR: 8.6 x 8.3 microns

Resolution

RS170: 580 horizontal TVL, 350 vertical TVL

CCIR: 560 horizontal TVL, 450 vertical TVL

Sensitivity (faceplate) @2850 K

0.65 lux at full video, AGC off
0.02 lux at 80% video, AGC on
0.016 lux at 30% video, AGC on

Electronic Shutter

Eight steps from 1/50 or 1/60 to 1/10,000 second (1/50 or 1/60, 1/125, 1/500, 1/1,000, 1/2,000, 1/4,000, and 1/10,000 second)

Integration

Integration period controllable through external input pulse
Grab pulse output
Field (1/60 or 1/50 second) or Frame (1/30 or 1/25 second) integration selected by internal jumper

Video Output

1.0 V p-p @75 ohms, unbalanced

AGC

26 dB, variable gain

Signal-to-Noise Ratio

50 dB at gamma 1, gain 0 dB

Auto Lens

Separate lens video signal tracks AGC peak/average adjustment to eliminate AGC/auto lens interaction
Power: +15V, 35 mA maximum

Gamma

Variable 0.45 to 1.0

Synchronization

Genlock, revert to variable phase line lock with zero crossing detector
Genlock, revert to crystal
Crystal Lock
H & V Drive
Asynchronous Reset
Internal Clock Speeds
RS170: 28.6363 MHz
CCIR: 28.375 MHz

Power Requirements

12V ac or dc (standard)
115V ac (optional on RS-170 models, includes wall transformer and connector)
230V ac (optional on CCIR models, includes wall transformer and connector)
4.2 watts dc power consumption
LED Power Indicator, Green

MECHANICAL

Dimensions (less lens/cable)

Camera Head: 1.125" dia. x 2.00" length (28.57 x 50.8 mm)
CCU: 1.7"(H) x 5.0"(W) x 6.9"(D) (43.2 x 127 x 175.3 mm)

Weight

Camera Head: 4 ounces (113 grams)
CCU: 27.5 ounces (780 grams)
Cable: 1/2 ounce/ft. (45 grams/m)

Lens Mount

Adjustable "C" mount

CCU Controls

Electronic Shutter
AGC peak/average
AGC On/Off
Manual Gain
Gamma
Sharpness

CCU Connectors

Video (BNC)
Camera Head (15 pin "D" subminiature)
Power (2 circuit screw terminal)
Lens (3 pin Mini-DIN)
External Sync (8 pin DIN)
Pin 1. Ext. Vertical Trigger In
Pin 2. Ext. Sync/Horizontal Trigger In
Pin 3. Grab Pulse Out (-)
Pin 4. Ground
Pin 5. Ground
Pin 6. Vertical Reset In
Pin 7. Grab Pulse Out (+)
Pin 8. Integrate Input

ORDERING INFORMATION

498X —	X	X	X	X	XXXX
Power Options	Sync Options	Optical Filters	Options	Cable Length	Lens Options
2 12V ac or dc	2 Genlock (revert to crystal)	0 None	0 Field Mode	1 10 Feet	Manual Iris, C Mount
3 230V ac, 50 Hz, with ac wall adapter (CCIR models)	RS-170	1 IR Filter (Non-removable)	1 Frame Integration Mode	2 25 Feet	*AL04 4.5mm, f/2.0, 2/3"
4 24VAC/VDC	3 Genlock (revert to line lock) RS-170*		3 Electronic Iris*	3 50 Feet	*AL08 8mm, f/1.4, 2/3"
5 115V ac, 60 Hz, with ac wall adapter (RS 170 models)	4 Asynchronous Reset RS-170			4 100 Feet	AL16 16mm, f/1.4, 2/3"
	5 Genlock (Revert to crystal CCIR)		* Electronic Iris option is designed for use with manual iris lenses only. With this option, the camera operates in the field integration mode. Use of the electronic iris defeats electronic shutter positions.		AL25 25mm, f/1.4, 1"
	6 Genlock (revert to linelock CCIR)*				AL50 50mm, f/1.4, 1"
	7 Asynchronous reset (CCIR)				* Wide Angle
	*Line lock or variable phase adjustable.				Auto Iris, C Mount
					ES04 4.2mm, f/1.6, 1/2"
					ES05 4.8mm, f/1.8, 2/3"
					ES08 8mm, f/1.4, 2/3"
					ES12 12.5mm, f/1.4, 1"
					ES16 16mm, f/1.4, 2/3"
					ES25 25mm, f/1.4, 1"
					EH35 35mm, f/1.4, 2/3"
					ES50 50mm, f/1.4, 1"
					EH75 75mm, f/1.8, 1"
					Other lenses are available. Please consult factory.

COHU RESERVES THE RIGHT TO CHANGE SPECIFICATIONS WITHOUT NOTICE.

ENVIRONMENTAL

Ambient Temperature Limits

Operating: -20 to 60 °C (-4° to 140° F)

Storage: -30 to 70 °C (-22° to 157° F)

Humidity

Up to 95% relative humidity

Vibration

Sine vibration from 5 to 2,000 Hz, 5 g's peak, all 3-axis, 1/2 hr. per axis per MIL-E-5400T, para 3.2.24.5.1.2, fig. 2, curve IIIa.
Random vibration from 10 to 2,000 Hz, 11 g's rms, all 3-axis, 1/2 hr. per axis, per MIL-E-5400T, para 3.2.24.5.1.2, category 6.

Shock

Up to 15 g's in any axis under nonoperating conditions



PO Box 85623 San Diego, CA 92186-5623

Telephone: (619) 277-6700 • FAX: (619) 277-0221

COHU
Cohu, Inc./Electronics Division

HIGH PERFORMANCE REMOTE-HEAD MONOCHROME CCD CAMERA

4990 SERIES

**High Sensitivity
On-Chip-Microlens Imager**

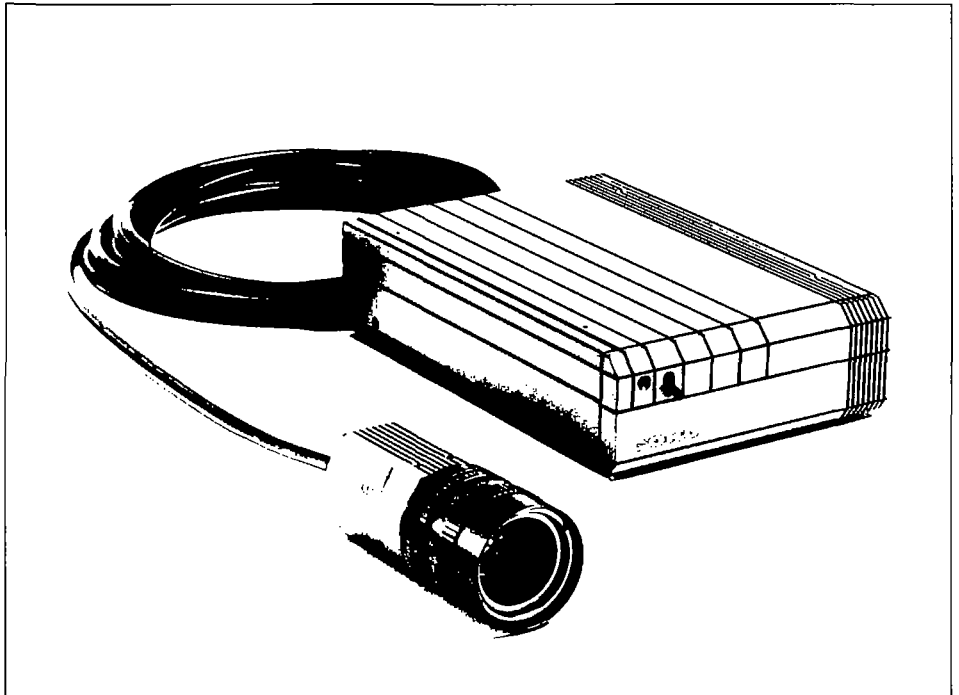
Cohu's new 4990 Series High Performance Monochrome Remote-Head CCD Cameras are the perfect solution for video applications requiring high performance in a compact package. The lightweight remote head is easily incorporated into microscopes, medical instruments, and machine vision systems, and is ideal for specialized security/surveillance applications.

Available in RS-170 and CCIR models, these high resolution cameras employ a half-inch format HAD interline transfer imager with on-chip microlenses for unparalleled sensitivity and minimal blooming. For additional sensitivity in low-light conditions, they provide 26 dB AGC and variable field/frame integration capabilities.

For video applications prone to streaking problems, the sensor provides a 1000:1 overload capability, which allows transmission of clear video signals even when bright incidental light is present in the scene.

4990 Series cameras are backed by a full two-year warranty. They're rugged, yet lightweight and compact — ideal for easy system integration. For easy access to camera controls, they have a removable trim plate on the camera control unit.

Cohu has been a leading U.S. manufacturer of closed circuit video cameras and systems for over 40 years. We welcome requests for special products and complete CCTV systems.



Cohu 4990 Series Monochrome High Performance Interline Transfer CCD Camera

FEATURES AND BENEFITS

- **Compact, Lightweight Remote Head** — maximum flexibility for end users or OEMs
- **High Resolution** — for better definition, error-free results
- **On-Chip-Microlens Interline Transfer Imager** dramatically increases sensitivity and virtually eliminates streaking and blooming.
- **Eight-Speed Electronic Shutter** reduces blurred images of fast-moving objects.
- **High Sensitivity** permits operation over a broad range of light levels.
- **Choice of Synchronization Options** for greater versatility
- **High Signal-to-Noise Ratio** for clear, noise-free video
- **Asynchronous Reset** provides random vertical reset capability for production line applications.
- **Optional Electronic Iris** automatically controls exposure
- **Made in U.S.A.** — direct factory support
- **1000:1 Overload Capability** permits incidental light overloads up to ten times that of other CCD cameras.
- **No Lag or Image Retention** — provides fast, clean images
- **Zero Geometric Distortion** for consistent corner-to-corner linearity
- **26 dB AGC** for increased sensitivity at low light levels
- **Optional IR Filter**
- **Field or Frame Integration** — for added sensitivity in low-light-level imaging applications
- **State-of-the-Art Design and Construction** for total, solid-state

APPLICATIONS

- **Image Processing**
- **Machine Vision**
- **Microscopy**
- **Endoscopy**
- **Process Control**
- **Quality Control**
- **Image Analysis**
- **Security/Surveillance**

4990 SERIES HIGH PERFORMANCE REMOTE-HEAD CCD CAMERA

SPECIFICATIONS

ELECTRICAL

Image Area

6.4 x 4.8 mm (corresponding to 1/2" image tube)

Active Picture Elements

RS-170: 768H x 494V

CCIR: 752H x 582V

Imager Type

HAD interline transfer CCD with on-chip microlenses

Cell Size

RS170: 8.4 x 9.8 microns

CCIR: 8.6 x 8.3 microns

Resolution

RS170: 580 horizontal TVL, 350 vertical TVL

CCIR: 560 horizontal TVL, 450 vertical TVL

Sensitivity (faceplate) @2850 K

0.65 lux at full video, AGC off
0.05 lux at 80% video, AGC on

Electronic Shutter

Eight steps from 1/50 or 1/60 to 1/10,000 second (1/50 or 1/60, 1/125, 1/500, 1/1,000, 1/2,000, 1/4,000, and 1/10,000 second)

Integration

Integration period controllable through external input pulse
Grab pulse output
Field (1/60 or 1/50 second) or Frame (1/30 or 1/25 second) integration selected by internal jumper

Video Output

1.0 V p-p @75 ohms, unbalanced

AGC

20 dB, variable gain

Signal-to-Noise Ratio

≥56 dB at gamma 1, gain 0 dB
38 dB at gamma 1, AGC On

Auto Lens

Separate lens video signal tracks AGC peak/average adjustment to eliminate AGC/auto lens interaction
Power: +15V, 35 mA maximum

Gamma

Variable 0.45 to 1.0

Synchronization

Genlock, revert to variable phase line lock with zero crossing detector
Genlock, revert to crystal
Crystal Lock
H & V Drive
Asynchronous Reset
Internal Clock Speeds
RS170: 28.6363 MHz
CCIR: 28.375 MHz

Power Requirements

12V ac or dc (standard)
115V ac (optional on RS-170 models, includes wall transformer and connector)
230V ac (optional on CCIR models, includes wall transformer and connector)
4.2 watts dc power consumption
LED Power Indicator, Green

MECHANICAL

Dimensions (less lens)

Camera Head: 1.50" dia. x 2.00" length (38.1 x 50.8 mm)
CCU: 1.7"(H) x 5.0"(W) x 6.9"(D) (43.2 x 127 x 175.3 mm)

Weight

Camera Head (less lens and cable): 4 ounces (113 grams)
15' Remote Cable: 17 ounces (483 grams)
CCU: 27.5 ounces (780 grams)

Lens Mount

Adjustable "C" mount

CCU Controls

Electronic Shutter
AGC peak/average
AGC On/Off
Manual Gain
Gamma
Sharpness

Connectors

Video (BNC)
Power (2 circuit screw terminal)
Lens (3 pin Mini-DIN)
External Sync (8 pin DIN)
Pin 1. External Vertical Trigger In
Pin 2. External Sync/Horizontal Trigger In
Pin 3. Grab Pulse Out ()
Pin 4. Ground
Pin 5. Ground
Pin 6. Vertical Reset In
Pin 7. Grab Pulse Out (+)
Pin 8. Integrate Input
Camera Head (15 pin "D" subminiature)

ORDERING INFORMATION

499X	—	X	X	X	X	XXXX
Power Options		Sync Options	Optical Filters	Options	Video Format	Lens Options
2 12V ac or dc		2 Genlock* (revert to crystal)	0 None	0 None (Standard TV Rate)	1 RS-170 (EIA)	Manual Iris, C Mount
3 230V ac, 50 Hz, with ac wall adapter (CCIR models)		3 Genlock* (revert to phase adjustable line lock)	1 IR Filter (Non-removable)	1 Frame Integration Mode	5 CCIR	*AL04 4.5mm, f/2.0, 2/3"
5 115V ac, 60 Hz, with ac wall adapter (RS-170 models)		8 Asynchronous Reset		3 Electronic Iris*		*AL08 8mm, f/1.4, 2/3"
		* Genlock can be composite sync or separate H & V drive		* Electronic Iris opt. on is designed for use with manual iris lenses only. With this option, the camera operates in the field integration mode. Use of the electronic iris defeats electronic shutter positions		AL16 16mm, f/1.4, 2/3"
						AL25 25mm, f/1.4, 1"
						AL50 50mm, f/1.4, 1"
						* Wide Angle
						Auto Iris, C Mount
						ES04 4.2mm, f/1.6, 1/2"
						ES05 4.8mm, f/1.8, 2/3"
						ES08 8mm, f/1.4, 2/3"
						ES12 12.5mm, f/1.4, 1"
						ES16 16mm, f/1.4, 2/3"
						ES25 25mm, f/1.4, 1"
						EH35 35mm, f/1.4, 2/3"
						ES50 50mm, f/1.4, 1"
						EH75 75mm, f/1.8, 1"
						Other lenses are available. Please consult factory.

COHU RESERVES THE RIGHT TO CHANGE SPECIFICATIONS WITHOUT NOTICE.

ENVIRONMENTAL

Ambient Temperature Limits

Operating: -20 to 60 °C (-4° to 140° F)

Storage: -30 to 70 °C (-22° to 157° F)

Humidity

Up to 95% relative humidity

Vibration

Sine vibration from 5 to 2,000 Hz, 5 g's peak, all 3-axis, 1/2 hr. per axis per MIL-E-5400T, para 3.2.24.5.1.2, fig. 2, curve IIIa.

Random vibration from 10 to 2,000 Hz, 11 g's rms, all 3-axis, 1/2 hr. per axis, per MIL-E-5400T, para 3.2.24.5.1.2, category 6.

Shock

Up to 15 g's in any axis under nonoperating conditions



5755 Kearny Villa Road • San Diego, CA 92123

Telephone: (619) 277-6700 • FAX: (619) 277-0221 • TWX: 910-335-1244



**TWO-YEAR
WARRANTY**

REMOTE-HEAD MONOCHROME FRAME-TRANSFER CCD CAMERAS

6400 & 6700 SERIES

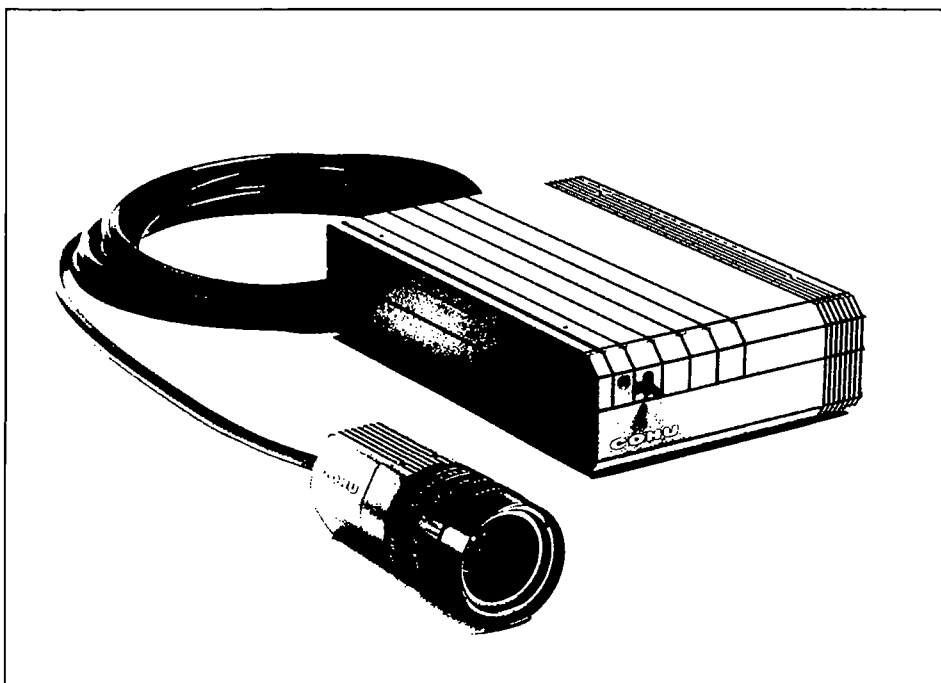
**Compact, Lightweight
Electronic Shutter**

Cohu's Monochrome Remote-Head Frame-Transfer CCD Cameras offer all the outstanding performance characteristics of Cohu's 4800 and 4700 Series standard monochrome frame-transfer cameras, with the added benefits of a two-piece configuration, electronic shutter, and enhanced signal-to-noise characteristics. The lightweight remote camera head is ideally suited for mounting on microscopes, robots, and other equipment with size and weight limitations.

Both the 6400 Series RS-170 and the 6700 Series CCIR cameras provide high resolution and high sensitivity. The blemish-free CCD sensor provides pixel-to-pixel contrast variation of less than 5%, with zero geometric distortion and no lag or image retention.

Connected to the camera control unit by an integral 15-foot cable, the remote camera head weighs only 113 grams, and measures only 38mm in diameter and 51mm in length.

As with all Cohu CCD cameras, the 6400 and 6700 Series cameras are designed and manufactured in U.S.A., and are backed by a full two-year warranty.



Cohu 6400 Series Remote-Head Monochrome Frame Transfer CCD Camera

APPLICATIONS

- **Microscopy**
- **Machine Vision**
- **Medical Imaging**
- **Process Control**
- **Quality Control**
- **Image Analysis**
- **Security/Surveillance**

FEATURES AND BENEFITS

- **Compact, Lightweight Remote Head** — maximum flexibility for end users or OEMs
- **High Resolution** — for better definition, error-free results
- **Two-Speed Electronic Shutter** reduces blurred images of fast-moving objects.
- **High Sensitivity** permits operation over a broad range of light levels.
- **Genlock, H & V Drive, Pixel Clock Outputs** for machine vision interface
- **High Signal-to-Noise Ratio** for better dynamic range.
- **Auto Black** for contrast enhancement
- **100% Blemish-Free Frame-Transfer Image Sensor** — no dead pixels.
- **Made in U.S.A.** — direct factory support
- **No Lag or Image Retention** — provides fast, clean images
- **Zero Geometric Distortion** for consistent corner-to-corner linearity
- **Selectable AGC Ranges** for better control under varying light conditions
- **Optional IR Filter**
- **State-of-the-Art Design and Construction** for high performance, reliability and long life
- **Choice of RS-170 & CCIR Models**
- **Two-Year Warranty**
- **15' Remote Cable** facilitates system design and installation.
- **Special Configurations** for OEMs and end users

Designed and Manufactured in U.S.A.

COHU
Cohu, Inc./Electronics Division

6400 & 6700 SERIES REMOTE-HEAD FRAME-TRANSFER CCD CAMERAS

SPECIFICATIONS

ELECTRICAL

Imager Type

Single CCD using frame-transfer method

Image Area

6.4 x 4.8 mm (corresponding to 1/2" image tube)

Active Picture Elements

RS-170: 755H x 242V

CCIR: 699H x 288V

Cell Size

RS170: 8.5(H) x 19.5 (V) microns

CCIR: 9.2(H) x 16.8(V) microns

Resolution

RS170: 550 horizontal TV lines, 350 vertical TV lines

CCIR: 525 horizontal TV lines, 415 vertical TV lines

Sensitivity (faceplate) @2850 K

0.25 lux at full video, AGC off
0.009 lux at 80% video, AGC on

Contrast Variation

<5% overall at gamma 1, gain 0 dB

Electronic Shutter

Switch selectable, 1/1,000 second, 1/2,000 second, and Off

Video Output

1.0 V p-p @75 ohms, unbalanced

AGC

Switch selectable, Off/Low Gain/High Gain
Peak-average adjustable
Low Gain: 0 - 6 dB
High Gain: 0 - 20 dB

Auto Black

Maintain set-up level at 7.5 ±5 IRE units if picture contains at least 10% black

Signal-to-Noise Ratio

≥56 dB at gamma 1, gain 0 dB
38 dB at gamma 1, AGC On

Auto Lens

Separate lens video signal tracks
AGC peak/average adjustment to eliminate AGC/auto lens interaction
Power: +9V, 100 mA maximum

Gamma

0.5 or 1.0 jumper selectable

Synchronization

Genlock, revert to crystal
Genlock, revert to phase adjustable line lock
External H & V Drive
Internal Clock Speeds
RS170: 14.31818 MHz
CCIR: 14.375 MHz

Power Requirements

4.5 watts dc (without lens)

MECHANICAL

Dimensions (less lens)

Camera Head: 1.50" dia. x 2.00" length (38.1 x 50.8 mm)
Cable: 15 feet (4.57 meters)
CCU: 1.7"(H) x 5.0"(W) x 7.3"(D) (43.7 x 127 x 189 mm)

Weight

Camera Head (less lens and cable): 4 ounces (113 grams)
Remote Cable: 17 ounces (483 grams)
CCU: 29 ounces (822 grams)

Lens Mount

Adjustable "C" mount, 16mm format

Connectors

BNC connector — Video Out
Switchcraft TB4M — Lens Drive
Switchcraft TB3M — Power In
Hirose SR30-10R-7S — Auxiliary

ENVIRONMENTAL

Ambient Temperature Limits

Operating: -10 to 50°C (14 to 122°F)
Storage: -30 to 70 °C (-22 to 157°F)

Humidity

Up to 95% relative humidity

Vibration

5 to 60 Hz with 0.082 inch total excursion (15 g's @ 60 Hz). From 60 to 1,000 Hz, 5 g's rms random vibration without damage.

Shock (less lens)

Remote head: Up to 30 g's.
CCU: Up to 15 g's in any axis under nonoperating conditions, MIL-E-5400T, paragraph 3.2.24.6

Altitude

Sea level to the equivalent of 3,000 meters or 10,000 feet (508mm/20 inches of mercury)

ORDERING INFORMATION

6X Video Format	1X Power Options	—	X Sync Options	XXX Optical Filters	/	XXXX Lens Options
4 RS-170 (EIA)	2 12V ac or dc		2 Genlock (revert to crystal)	000 None		Manual Iris, C Mount
7 CCIR	3 230V ac, 50 Hz, with ac wall adapter (CCIR models)		3 Genlock (revert to phase adjustable line lock)	100 IR Filter (non-removable)		*AL04 4.5mm, f/1.4, 2/3"
	5 115V ac, 60 Hz, with ac wall adapter (RS-170 models)		7 External H & V Drive (revert to crystal)			*AL08 8mm, f/1.4, 2/3"
						AL09 9mm, f/1.4, 2/3"
						AL16 16mm, f/1.4, 2/3"
						AL26 25mm, f/1.6, 2/3"
						AL51 50mm, f/1.8, 2/3"
						* Wide Angle
						Auto Iris, C Mount
						ES04 4.2mm, f/1.6, 1/2"
						ES06 6mm, f/1.2, 1/2"
						ES08 8mm, f/1.4, 2/3"
						ES13 12mm, f/1.2, 1/2"
						ES16 16mm, f/1.4, 2/3"
						ES25 25mm, f/1.4, 1"
						EH35 35mm, f/1.4, 2/3"
						NOTE: Auto iris lenses require auto iris cable assembly 8352-1, to be ordered separately.

COHU RESERVES THE RIGHT TO CHANGE SPECIFICATIONS WITHOUT NOTICE.



PO Box 85623 San Diego, CA 92186-5623

Telephone: (619) 277-6700 • FAX: (619) 277-0221

COHU
Cohu, Inc./Electronics Division

**MicroLens Sensor
Technology**

HIGH PERFORMANCE COLOR MINI-REMOTE-HEAD CCD CAMERAS

8280 & 8380 SERIES

**Cable Lengths to 100 Feet
Reduced Head Size**

Cohu's new 8280 and 8380 Series High Performance Color Mini-Remote-Head CCD Cameras are the perfect solution for remote-head camera applications requiring extended cable lengths and reduced head size. The mini-remote camera head connects to the camera control unit with a fully detachable cable, which can be ordered in lengths of 10, 25, 50, or 100 feet. The light-weight remote head is easily incorporated into microscopes, medical imaging systems, and machine vision systems.

Available in NTSC/Y-C, PAL/Y-C, and RGB models, these high resolution cameras use on-chip microlens technology, which dramatically increases sensitivity by placing an individual lens on each pixel of the sensor.

Designed and manufactured in the U.S.A., 8280 and 8380 Series High Performance Color Mini-Remote-Head CCD Cameras are backed by a two-year warranty.



Cohu High Performance Color Mini-Remote-Head CCD Camera with 50' Cable (less lens)

FEATURES AND BENEFITS

- **Compact, Lightweight Mini-Remote Head** — 1.125" diameter facilitates camera operation and integration
- **Selectable Cable Lengths** — up to 100 feet
- **On-Chip Microlens Sensor** enhances sensitivity and dynamic range, reduces vertical smear
- **High Resolution** — 460 horizontal TV lines for sharper images
- **High Sensitivity** — permits operation over a wide range of light levels
- **Convenient External Adjustments** for shutter speed, integration period, AGC, white balance controls
- **Two Year Warranty**
- **Eight-Speed Electronic Shutter** reduces blurring of fast-moving objects or provides electronic iris capability
- **Selectable Integration Periods with Grab Pulse** — for low light level microscopy applications.
- **1000:1 Overload Capability** permits incidental light overloads up to ten times that of other CCD cameras
- **AGC with Peak-Average Adjustment** for clear images in varying light level applications
- **Made in U.S.A.** — direct factory support, quality design and construction.

APPLICATIONS

- **Microscopy**
- **Image Processing**
Medical and Industrial
- **Machine Vision**
Pattern Recognition
Non-Contact Measurement
3-D Imaging
Inspection
- **Robotics**
- **Computer Graphics**
- **Remote Sensing**
- **Mapping**
- **Teleradiology**
- **Quality Control**
- **Teleconferencing**
- **Security/Surveillance**

8280 & 8380 SERIES MINI-REMOTE-HEAD COLOR CCD CAMERAS

SPECIFICATIONS

ELECTRICAL — NTSC and PAL Models

Imager

Single interline transfer CCD with matrix filter (cyan, yellow, magenta, green)

Image Area

6.4 x 4.8 mm (1/2" format)

Active Picture Elements

NTSC/Y-C: 768(H) x 493(V)

PAL/Y-C: 752(H) x 582(V)

Resolution

NTSC/Y-C: Horizontal 460 TV lines
Vertical 350 TV lines

PAL/Y-C: Horizontal 450 TV lines
Vertical 415 TV lines

Sensitivity

3200 K faceplate illumination.
6.5 lux at full video, AGC Off.
0.5 lux at 80% video, AGC On.

Electronic Shutter

Switch selectable, 1/60 second (off)
to 1/10,000 second (8 steps)

Integration

Switch selectable, 2 to 16 fields
(8 steps). Grab pulse available

Gamma

0.6

AGC

0-20 dB
Peak-average adjustable

Signal-to-Noise Ratio (AGC Off)

48 dB (NTSC with 4.5 MHz filter)
45 dB (PAL with 5 MHz filter)

Video Outputs

Encoded: NTSC and PAL

1 V p-p @75 ohms, unbalanced,
composite

S Video:

Y: 1 V p-p @75 ohms, unbalanced,
composite
C: 0.285 V p-p

Auto Lens Output

Peak-average characteristic tracks
AGC adjustment to eliminate
AGC/auto lens interaction

Color Lock

Burst phase adjustment
Horizontal phase adjustment

Color Balance

Through-the-lens type
Less than 10 IRE units unbalance from
2850 to >5800 K

Synchronization

NTSC or PAL crystal, color lock
standard

Power Requirements

12V ac or dc (standard)
115V ac, 60 Hz for NTSC models
(optional, with wall transformer)
230V ac, 50 Hz for PAL models
(optional, with wall transformer)

Power Consumption

4.5W

ENVIRONMENTAL

Ambient Temperature Limits

Operating: -20 to 50 °C
(-4° to 122° F)
Storage: -30 to 70 °C
(-22° to 157° F)

Humidity

Up to 95% relative humidity,
non-condensing

Vibration (less lens)

5 to 60 Hz with 0.082 inch total
excursion (15 g's @ 60 Hz). From
60 to 1000 Hz, 5 g's rms random
vibration without damage

Shock (less lens)

Up to 15 g's in any axis under
nonoperating conditions,
MIL-E-5400T, paragraph 3.2.24.6

Altitude

Sea level to equivalent of
3,000m/10,000 feet (508mm/20
inches of mercury)

MECHANICAL

Dimensions (less lens/cable)

Camera Head: 1.125" dia. x 2.41"
length (38.1 x 60 mm)
CCU: 2.63" (H) x 5.75" (W) x 7.75"(D)
(65 mm x 148 mm x 200mm)

Weight

Camera Control Unit (12 V model):
36 ounces (1000 grams)
Camera Head (less lens and cable):
1.75 ounces (49 grams)
10' Remote Cable: 7.5 ounces (205
grams)

Lens Mount

"CS" mount standard, "C" mount
adapter furnished

Connectors (NTSC and PAL Models)

BNC connector—Video Out
4 Circuit MINI-DIN — Y-C
3 Circuit MINI-DIN — Lens Drive
2 Circuit Terminal Strip — Power In
15 Circuit "D" — Camera Head
8 Circuit MINI-DIN — Remote
Pin 1: Auto/Man White Balance
Pin 2: White Balance
Pin 3: Sync/Video In
Pin 4: Shutter On/Off
Pin 5: +5
Pin 6: Ground
Pin 7: Ground
Pin 8: Grab Pulse

ORDERING INFORMATION

8X8 X — X XX X / XXXX

Video Format	Power Options	Config-uration	Board Options	Cable Options	Lens Options
2 NTSC/Y-C	2 12V ac/dc	1 NTSC or PAL	00 None	1 10 feet	Manual Iris, CS Mount
3 PAL/Y-C*	3 230V ac, 50 Hz. with wall transformer (8380 Series only)	2 RGB*	30 Electronic Iris**	2 25 feet 3 50 feet 4 100 feet	AO03 3.7mm, f/1.6, 1/2" AO06 6mm, f/1.4, 1/2" AO13 12mm, f/1.4, 1/2"
	4 24V ac/dc, 28V dc		** For use with manual iris lenses only. When enabled, this option disables the electronic shutter and integration positions.		Manual Iris, C Mount
	5 115V ac, 60 Hz with wall transformer (8280 Series only)				AL04 4.5mm, f/2.0, 2/3" AL06 6.5mm, f/1.8, 2/3" AL08 8mm, f/1.4, 2/3" AL12 12.5mm, f/1.4, 1" AL16 16mm, f/1.4, 2/3" AL26 25mm, f/1.6, 2/3" AL51 50mm, f/2.8, 2/3" AL75 75mm, f/1.8, 1"

*Contact factory prior to placing order.

Please consult
factory for additional
lens selections.



P.O. Box 85623 San Diego, CA 92186-5623
Phone: 619/ 277-6700 • FAX: 619/ 277-0221

COHU
Cohu, Inc./Electronics Division

**NEW! On-Chip
Microlens Sensor**

HIGH PERFORMANCE COLOR REMOTE-HEAD CCD CAMERAS

8290 & 8390 SERIES

**NTSC/Y-C, PAL/Y-C, or RGB
On-Chip Microlens Sensor**

Cohu's new 8290 and 8390 Series High Performance Color Remote-Head CCD Cameras are the perfect solution for applications requiring high performance in a compact package. The lightweight remote head is easily incorporated into microscopes and machine vision systems, and is ideal for specialized security/surveillance applications.

Available in NTSC/Y-C, PAL/Y-C, and RGB models, these high resolution cameras use on-chip microlens HAD sensor technology, which enhances dynamic range and sensitivity while reducing vertical smear.

An easily removable trim plate on the camera control unit provides convenient access to electronic shutter timing, integration, AGC, and white balance controls.

Designed and manufactured in the U.S.A., 8290 and 8390 Series High Performance Color Remote-Head CCD Cameras are backed by a two-year warranty. OEM engineering requests are welcomed.



Cohu High Performance Color Remote-Head CCD Camera

FEATURES AND BENEFITS

- **Compact, Lightweight Remote Head** — for easy installation and operation
- **On-Chip Microlens Sensor** enhances sensitivity and dynamic range, reduces vertical smear
- **High Resolution** — 460 horizontal TV lines for sharper images
- **High Sensitivity** — permits operation over a wide range of light levels
- **Convenient External Adjustments** for control of shutter speed, integration period, AGC, and other critical parameters
- **Zero Geometric Distortion** ensures precision measurement.
- **Two Year Warranty**
- **Choice of Video Formats** — including Y-C and RGB outputs for specialized applications
- **Eight-Speed Electronic Shutter** reduces blurring of fast-moving objects
- **Selectable Integration Periods with Grab Pulse** — for low light level microscopy applications.
- **1000:1 Overload Capability** permits incidental light overloads up to ten times that of other CCD cameras
- **AGC with Peak-Average Adjustment** for clear images in varying light level applications
- **Made in U.S.A.** — direct factory support, quality design and construction.

APPLICATIONS

- **Microscopy**
- **Image Processing**
Medical and Industrial
- **Machine Vision**
Pattern Recognition
Non-Contact Measurement
3-D Imaging
Inspection
- **Robotics**
- **Computer Graphics**
- **Remote Sensing**
- **Mapping**
- **Teleradiology**
- **Quality Control**
- **Teleconferencing**
- **Security/Surveillance**

8290 AND 8390 SERIES REMOTE-HEAD COLOR CCD CAMERAS

SPECIFICATIONS

ELECTRICAL — NTSC AND PAL MODELS

Imager

Single interline transfer CCD with matrix filter (cyan, yellow, magenta, green)

Image Area

6.4 x 4.8 mm (1/2" format)

Active Picture Elements

NTSC/Y-C: 768(H) x 493(V)

PAL/Y-C: 752(H) x 582(V)

Resolution

NTSC/Y-C: Horizontal 460 TV lines
Vertical 350 TV lines

PAL/Y-C: Horizontal 460 TV lines
Vertical 415 TV lines

Sensitivity

3200 K faceplate illumination.
6.5 lux at full video, AGC Off.
0.55 lux at 80% video, AGC On.

Electronic Shutter

Switch selectable, 1/60 second (off)
to 1/10,000 second (8 steps)

Integration

Switch selectable, 2 to 16 fields
(8 steps). Grab pulse available

Gamma

0.5

AGC

0-20 dB
Peak-average adjustable

Signal-to-Noise Ratio (AGC Off)

48 dB (NTSC with 4.5 MHz filter)
45 dB (PAL with 5 MHz filter)

Video Outputs

Encoded: NTSC and PAL
1 V p-p @75 ohms, unbalanced,
composite

S Video:

Y: 1 V p-p @75 ohms, unbalanced,
composite
C: 0.285 V p-p

Auto Lens Output

Peak-average characteristic tracks
AGC adjustment to eliminate
AGC/auto lens interaction

Color Lock

Burst phase adjustment
Horizontal phase adjustment

Color Balance

Through-the-lens type
Less than 10 IRE units unbalance
from 2850 to >5800 K

Synchronization

NTSC or PAL crystal, color lock
standard

Power Requirements

12V ac or dc (standard)
115V ac, 60 Hz for NTSC models
(optional, with wall transformer)
230V ac, 50 Hz for PAL models
(optional, with wall transformer)

Power Consumption

4.5W

ENVIRONMENTAL

Ambient Temperature Limits

Operating: -20 to 50 °C
(-4° to 122° F)
Storage: -30 to 70 °C
(-22° to 157° F)

Humidity

Up to 95% relative humidity,
non-condensing

Vibration (less lens)

5 to 60 Hz with 0.082 inch total
excursion (15 g's @ 60 Hz). From
60 to 1000 Hz, 5 g's rms random
vibration without damage

Shock (less lens)

Up to 15 g's in any axis under
nonoperating conditions,
MIL-E-5400T, paragraph 3.2.24.6

Altitude

Sea level to equivalent of
3,000m/10,000 feet (508mm/20
inches of mercury)

MECHANICAL

Dimensions

Please see dimensional drawings.

Weight

Camera Control Unit (12 V model):
36 ounces (1000 grams)
Camera Head (less lens and cable):
4 ounces (113 grams)
15' Remote Cable: 17 ounces (483
grams)

Lens Mount

Adjustable "C" mount

Connectors

Please see dimensional drawings

Top Panel Adjustments

Shutter/Off/Integrate
8-Position Shutter/Integrate Switch
AGC On/Off *
AGC Peak/Average Adjustment
Auto/Manual/Remote White Balance
Switch *
White Balance Adjustment*
Horizontal Phase/Color Lock*
SC Phase Switch*
SC Phase Adjustment*
AGC/Manual/Remote**
Gain**
Vertical Phase Adjustment**
Horizontal Phase Adjustment**

* NTSC/Y-C and PAL/Y-C Models
Only

** RGB Models Only

ELECTRICAL — RGB MODELS

Imager

Single interline transfer CCD with matrix filter (cyan, yellow, magenta, green)

Image Area

6.4 x 4.8 mm (1/2-inch format)

Active Picture Elements

RGB/60: 768(H) x 493(V)

RGB/50: 752(H) x 582(V)

Resolution

RGB/60: Horizontal 460 TV lines
Vertical 350 TV lines

RGB/50: Horizontal 460 TV lines
Vertical 415 TV lines

Sensitivity

3200 K faceplate illumination.
6.5 lux at full video, AGC Off.
0.55 lux at 80% video, AGC On.

AGC

0-20 dB
Peak-average adjustable

Gamma

0.5 or 1.0

Electronic Shutter

Switch selectable, 1/60 second (off)
to 1/10,000 second (8 steps)

Integration

Switch selectable, 2 to 16 fields
(8 steps); grab pulse available

Power Requirements

12V ac or dc (standard)
115V ac 60 Hz (optional, with wall
transformer)
230V ac 50 Hz (optional, with wall
transformer)

Power Consumption

4.5W

Video Outputs

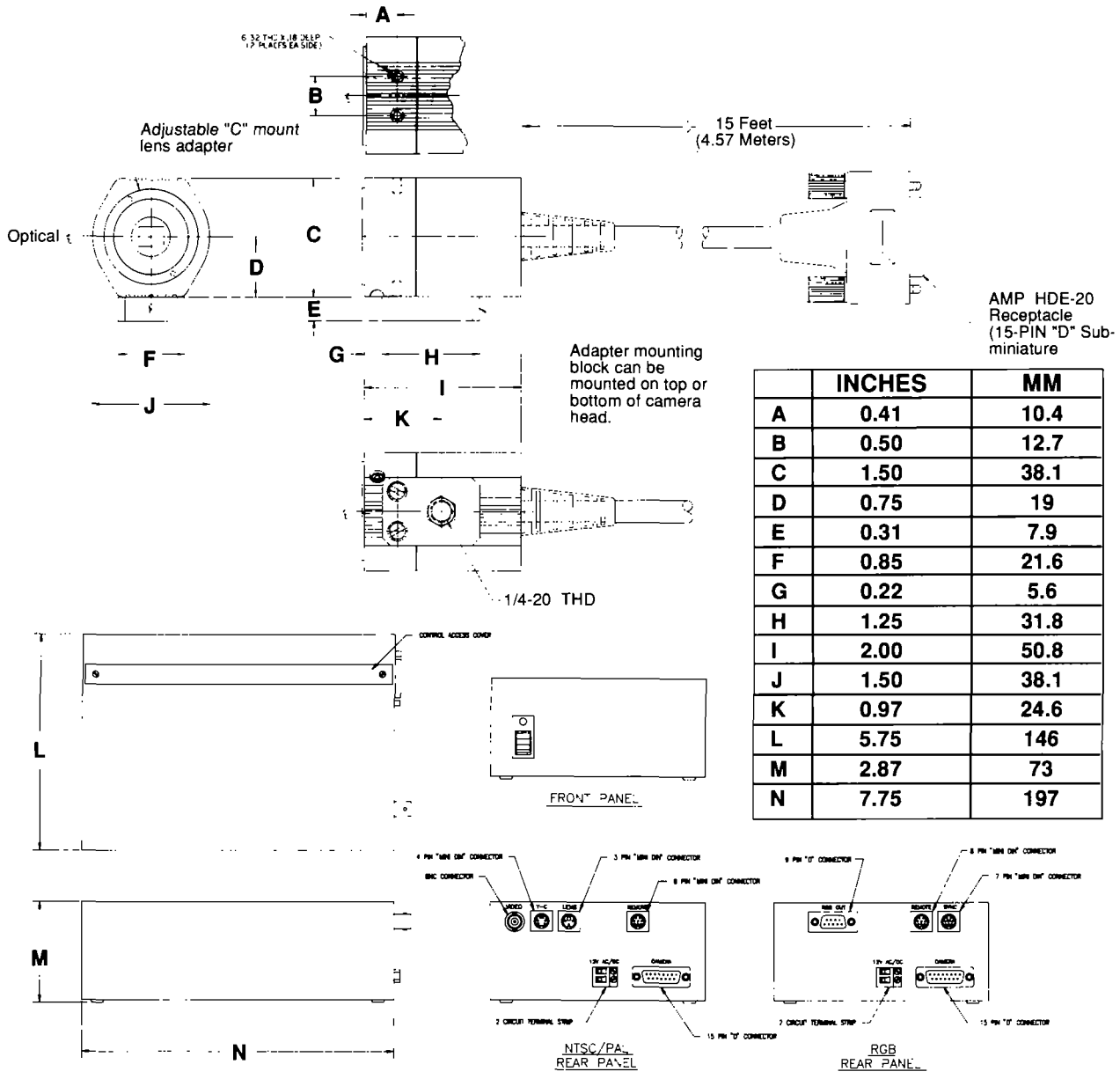
RGB, per channel: 0.714 V p-p
@75 ohms, unbalanced; sync
on green, jumper selectable

Sync: 0.4 V p-p @75 ohms,
unbalanced

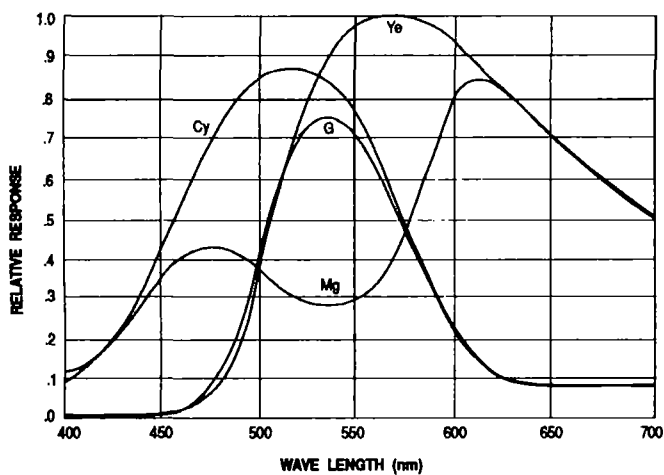
Synchronization

Genlock, H & V drive

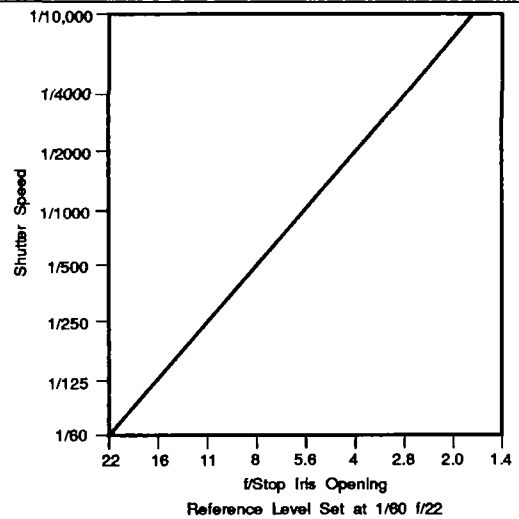
DIMENSIONS



MATRIX FILTER COLOR RESPONSES



TYPICAL f/STOP VS. SHUTTER



8290 AND 8390 SERIES REMOTE-HEAD COLOR CCD CAMERAS

ORDERING INFORMATION

8X9

X

—

XXXX

/

XXXX

Format Options

- 2 NTSC Format (60 Hz)
- 3 PAL Format (50 Hz)

Power Options

- 2 12V ac/dc
- 3 230V ac, 50/60 Hz, with wall transformer, (8390 Series only)
- 4 24V ac/dc, 50/60 Hz
- 5 115V ac, 50/60 Hz, with wall transformer (8290 Series only)

Configuration Options

- 1000 NTSC/Y-C or PAL/Y-C
- 2000 RGB/60 or RGB/50

Lens Options

- 0000 None

Manual Iris, C Mount

- AL04 4.5mm, f/2.0, 2/3"
- AL06 6.5mm, f/1.8, 2/3"
- AL08 8mm, f/1.4, 2/3"
- A014 12mm, f/1.2, 1/2"
- AL16 16mm, f/1.4, 2/3"
- AL25 25mm, f/1.4, 1"
- AL50 50mm, f/1.8, 1"

Auto Iris, C Mount*

- ES05 4.8mm, f/1.8, 2/3"
- ES08 8mm, f/1.4, 2/3"
- ES16 16mm, f/1.4, 2/3"
- EH35 35mm, f/1.4, 2/3"

PLEASE NOTE: Cohu welcomes the opportunity to provide special features to better serve your particular requirement. For example, custom painting, silkscreen and logo for OEM customers and special connector pin configurations can be ordered. Please contact Cohu for details.

* Customers supplying their own auto iris lenses must order lens connector separately. Please consult factory.

COHU RESERVES THE RIGHT TO CHANGE SPECIFICATIONS WITHOUT NOTICE.

NTSC & PAL CONNECTOR CONFIGURATIONS

LENS

- 1 Power
- 2 Lens Video
- 3 Ground

Y-C

- 1 Y—Ground
- 2 C— Ground
- 3 Y
- 4 C

REMOTE

- 1 Auto/Man
- 2 White Balance
- 3 Sync/Video In
- 4 Shutter On/Off
- 5 +5
- 6 Ground
- 7 Ground
- 8 Grab Pulse

RGB CONNECTOR CONFIGURATIONS

REMOTE 1

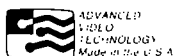
- 1 Blue Level
- 2 Red Level
- 3 Sync/Horizontal In
- 4 Shutter On/Off
- 5 +5
- 6 Vertical In
- 7 Ground
- 8 External Gain

SYNC

- 1 Grab Pulse
- 2 V Drive Out
- 3 H Drive Out
- 4 Clock Out
- 5 Ground
- 1 Ground
- 2 Ground
- 3 R
- 4 G
- 5 B
- 6 NC
- 7 Sync
- 8 NC
- 9 NC

RGB

NOTE: The RGB connector layout is directly compatible with Targa[®], Vista[®], and other image capture boards.



5755 Kearny Villa Road • San Diego, CA 92123
 FAX: (619)277-0221 • Telephone: (619)277-6700 • TWX: 910-335-1244

COHU
 Cohu, Inc./Electronics Division

**2-YEAR
WARRANTY!**

REMOTE-HEAD COLOR CCD CAMERA

6800 SERIES

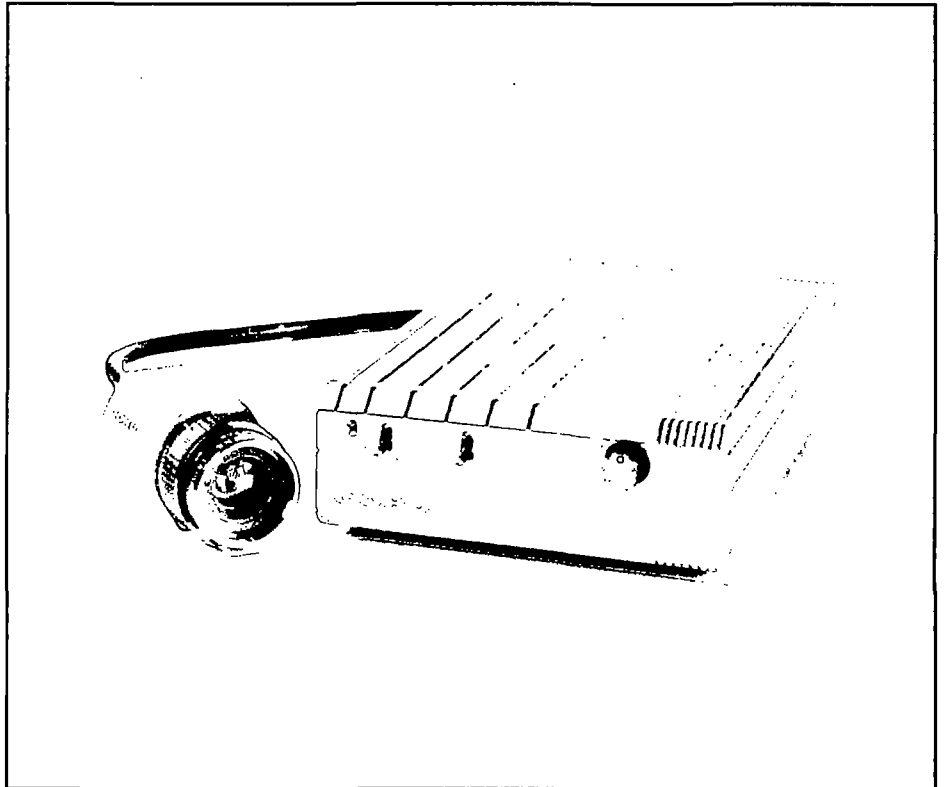
**RGB, NTSC, and Y-C Outputs,
High S/N, Electronic Shutter**

Cohu's new 6800 Series Remote-Head Monochrome CCD Camera offers excellent performance characteristics in a compact, two-piece configuration. The small, lightweight remote imager and choice of RGB, Y-C, or NTSC outputs offer optimum capability to both OEM design engineers and end users across a broad range of scientific and industrial applications.

The 6800 Series Remote-Head CCD Camera features state-of-the-art frame transfer technology with an RGB stripe filter for reliable, high-sensitivity true color video. Cohu's unique, 1/2-inch format blemish-free image sensor provides over 357,000 picture elements for greater resolution. The high signal-to-noise ratio ensures excellent dynamic range, while the two-speed electronic shutter greatly reduces problems associated with blurred images of fast moving objects.

The compact, rugged 6800 Series consists of the remote camera head with integral 15-foot control cable, and the camera control unit. The remote head weighs a mere 4 ounces, and measures only 1.5 inches in diameter and two inches in length with standard C-mount adapter.

As with all Cohu CCD cameras, the new 6800 Series is designed and manufactured in the U.S.A., and comes with a two-year warranty.



Cohu 6800 Series Remote-Head Solid-State Color CCD Camera

FEATURES AND BENEFITS

- **Small, Lightweight Remote Imager** ensures maximum flexibility in system design and installation.
- **Electronic Shutter** reduces blurring of fast-moving objects.
- **Separate RGB, NTSC, and Y-C outputs** to support a wide range of applications. For S-VHS recording applications, Y-C outputs permit a minimum of 300 TV lines horizontal resolution.
- **Horizontal and Vertical Aperture Correction** for sharper pictures.
- **100% Blemish-Free Sensor** - no dead pixels.
- **High Resolution** with 1/2-inch format sensor
- **High, 50 dB Signal-to-Noise Ratio** provides better dynamic range.
- **Color Lock** provides consistent color rendition in multi-camera applications.
- **15' Remote Cable** facilitates system design and installation.
- **Auto/Manual White Balance** enhances color control.
- **Selectable AGC Ranges** for better control under varying light conditions.

APPLICATIONS

- **Image Processing**
- **Microscopy**
- **Borescopes**
- **Machine Vision**
Pattern Recognition
Non-contact measurement
Inspection
- **Medical Imaging**
- **Robotics**
- **Security/Surveillance**

Designed and manufactured in U.S.A.

COHU
INC
ELECTRONICS DIVISION

6800 SERIES REMOTE-HEAD COLOR CCD CAMERA

SPECIFICATIONS

ELECTRICAL		ENVIRONMENTAL
<p>Imager Single CCD using frame transfer method</p> <p>Image Area 6.4 x 4.8 mm (1/2-inch format)</p> <p>Active Picture Elements 739 x 484 (frame transfer)</p> <p>Cell Size 8.5µm(H) x 19.75µm(V)</p> <p>Resolution (RGB or NTSC) Horizontal >300 TV lines Vertical >350 TV lines</p> <p>Sensitivity Please see Table 1, below.</p> <p>Contrast Variation <5% overall at gamma 1, gain 0 dB</p> <p>Video Output Levels (Note 1)</p> <p>NTSC: 1.0 V p-p @75 ohms, unbalanced, composite</p> <p>Y-C: Y: 1.0V p-p @75 ohms, unbalanced, composite C: .258 V p-p @ 75 ohms</p> <p>Component (RGB): R: 0.714 V p-p @75 ohms, unbalanced G: 0.714 V p-p @75 ohms, unbalanced B: 0.714 V p-p @75 ohms, unbalanced Sync: .4V p-p @75 ohms, unbalanced</p> <p>Gamma 0.5 or 1.0 jumper selectable</p> <p>Aperture Correction Jumper selectable in or out</p>	<p>Signal to Noise Ratio 50 dB at gamma 1, AGC Off, encoded output</p> <p>Color Lock Burst phase adjustment Horizontal phase adjustment</p> <p>Color Balance Through-the-lens type. Less than 10 IRE units unbalance from 2850 to 6400 K</p> <p>Electronic Shutter Switch selectable, 1/1000 second, 1/2000 second, or Off</p> <p>AGC Switch selectable, Off/Low Gain, High Gain Low Gain: 0 - 12 dB High Gain: 8 - 20 dB</p> <p>Auto Lens Output Peak/Average ratio tracks AGC adjustment</p> <p>Synchronization RS-170 crystal, 14.31818 MHz clock output, with color lock standard</p> <p>Remote White Balance Auto/Manual White Balance Shutter On/Off Sync/Horizontal Trigger In Vertical Trigger In Master Clock Output 14.31818 MHz</p> <p>Power Requirements AC 115V ±10%, 60 Hz Fuse protected 12V ac/dc, 60 Hz</p> <p>Power Consumption 4.2W</p>	<p>Ambient Temperature Limits Operating: -10 to 50 °C (14° to 122° F) Storage: -30 to 70 °C (-22° to 157° F)</p> <p>Humidity Up to 95% relative humidity</p> <p>Vibration 5 to 60 Hz with 0.082 inch total excursion (15 g's @ 60 Hz). From 60 to 1000 Hz, 5 g's rms random vibration without damage</p> <p>Shock (less lens) Up to 15 g's in any axis under nonoperating conditions, MIL-E-5400T, paragraph 3.2.24.6 Remote Head: Up to 30 g's.</p> <p>Altitude Sea level to equivalent of 3,048m/10,000 feet (508mm/20 inches of mercury)</p>
		MECHANICAL
		<p>Camera Control Unit Dimensions: See Figure 1. Weight: 29 ounces</p> <p>Camera Head Dimensions: See Figure 1. Weight: 4 ounces Cable Length: 15 feet</p> <p>Lens Mount "C" mount, 16mm format</p> <p>Connectors BNC Connector - Video Out Switchcraft TB3M - Power In 3 Pin Mini-Din - Lens Drive 4 Pin Mini-Din - Y-C output (Industry Standard Configuration) 7 Pin Mini-Din - R-G-B-Sync Output 8 Pin Mini-Din - Remote</p>
<p>NOTE: 1. Simultaneous output of all video signals is provided. Up to four outputs may be terminated at one time.</p>		

SENSITIVITY, 3200 K ILLUMINATION		
	Faceplate Illumination	Minimum Scene Illumination, f/1.4 lens
AGC Off, 100% video	1.7 fc (17 lux)	17 fc (170 lux)
Lo AGC, 12 dB, 70% video	0.35 fc (3.5 lux)	3.5 fc (35 lux)
Hi AGC, 20 dB, 70% video	0.1 fc (1 lux)	1.0 fc (10 lux)
Useable picture, 35% video	0.05 fc (0.5 lux)	0.5 fc (5 lux)

Table 1

DIMENSIONS

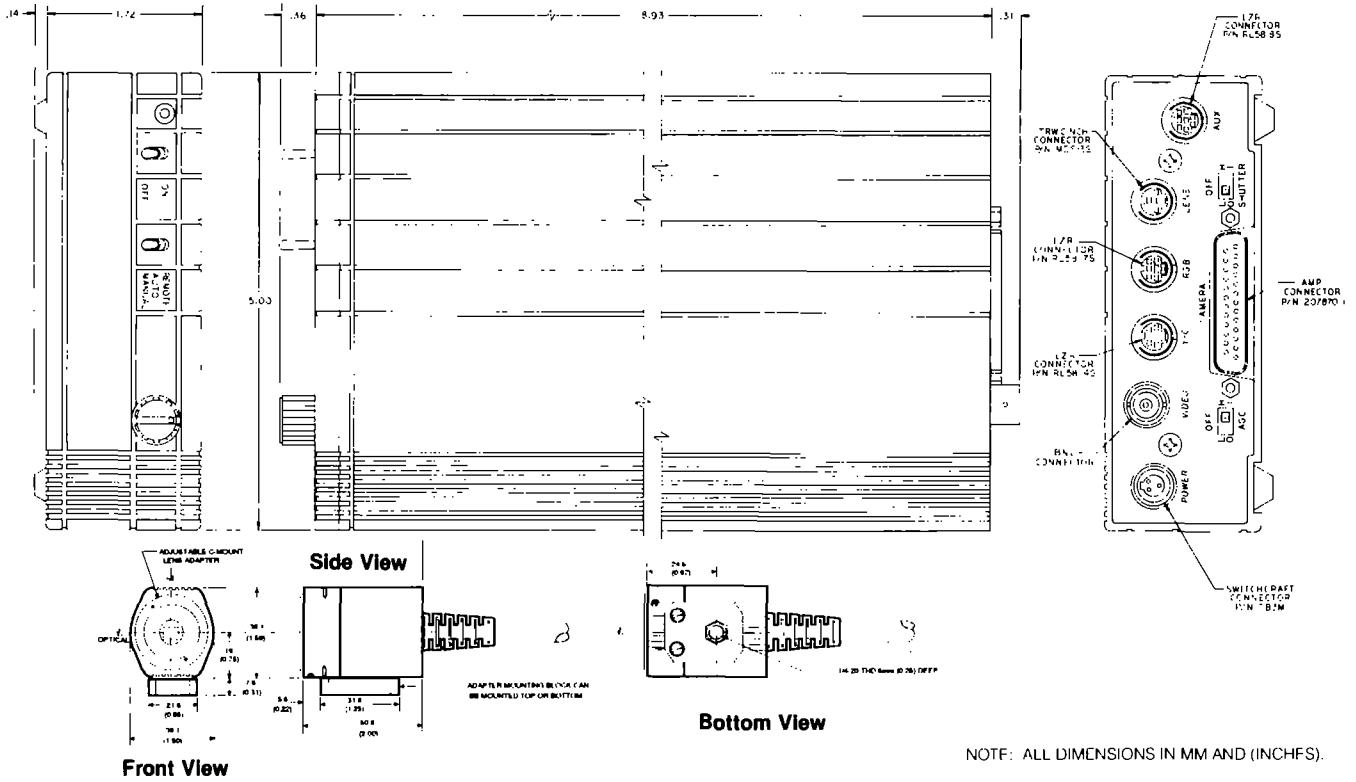


Figure 1

CONNECTOR CONFIGURATIONS

LENS 3-Pin Mini-Din

1	Power
2	Lens
3	Ground

Y - C 4-Pin Mini-Din

1	Y - Ground
2	C - Ground
3	Y
4	C

(BNC - Encoded Video)

RGB 7-Pin Mini-Din

1	Ground
2	Ground
3	SYNC
4	Blue
5	Green
6	Ground
7	Red

REMOTE 8-Pin Mini-Din

1	Auto/Manual
2	White Balance
3	SYNC/ H.Trigger In
4	Shutter ON/OFF
5	+5
6	Vertical Trigger In
7	Ground
8	Clock Out

6800 SERIES REMOTE-HEAD COLOR CCD CAMERA

ORDERING INFORMATION

681X

-

2100

/

XXXX

Power Options

- 2** 12 VAC/DC, 60 Hz
- 5** 115 VAC, 60 Hz

Standard Configuration

Lens Options

0000 None

Manual Iris Lenses

- AL04** 4.5mm, f/2.0 (2/3")
- AL06** 6.5mm, f/1.8 (2/3")
- AL08** 8mm, f/1.4 (2/3")
- AL09** 9mm, f/1.4 (2/3")
- AL12** 12mm, f/1.4 (1")
- AL16** 16mm, f/1.4 (2/3")
- AL26** 25mm, f/1.6 (2/3")
- AL51** 50mm, f/2.8 (2/3")
- AL75** 75mm, f/1.8 (1")

Auto Iris Lenses

- ES05** 4.8mm, f/1.8 (2/3")
- ES06** 6mm, f/1.2 (1/2")
- ES08** 8mm, f/1.4 (2/3")
- ES13** 12mm, f/1.2 (1/2")
- ES16** 16mm, f/1.4 (2/3")
- ES28** 28mm, f/1.2 (1/2")
- ES35** 35mm, f/1.4 (2/3")
- ES50** 50mm, f/1.4 (1")
- ES75** 75mm, f/1.8 (1")

NOTE: Auto iris lenses require auto iris cable assembly 8307-8, to be ordered separately.

Please consult factory for other lens selections.

COHU RESERVES THE RIGHT TO CHANGE SPECIFICATIONS WITHOUT NOTICE.

SPECIAL FEATURES

Cohu welcomes the opportunity to provide special features to better serve your particular requirement. For example, the remote camera head can be sealed to allow immersion in liquids for sterilization or other purposes. Other special features include custom painting, silk screen and logo for OEM customers and special connector pin configurations. Please contact Cohu for other special features.

**NEW! With Surge
Protection!**

MICROPROCESSOR CAMERA CONTROL SYSTEM

MPC SERIES

**For Color or Monochrome
CCTV Systems**

The Microprocessor Camera Control (MPC) System has been designed and manufactured by Cohu to reduce the cost of CCTV system installations and improve command and control for security/surveillance operations.

The MPC can reduce total equipment and installation costs by up to 20% for systems that exceed 1,000 feet in distance (cameras to monitors). For systems that reach 5,000 feet, the savings are 50% or more compared to traditional multi-conductor cable systems. This is accomplished by installing lower-cost individual video and control cables and by eliminating separate control units.

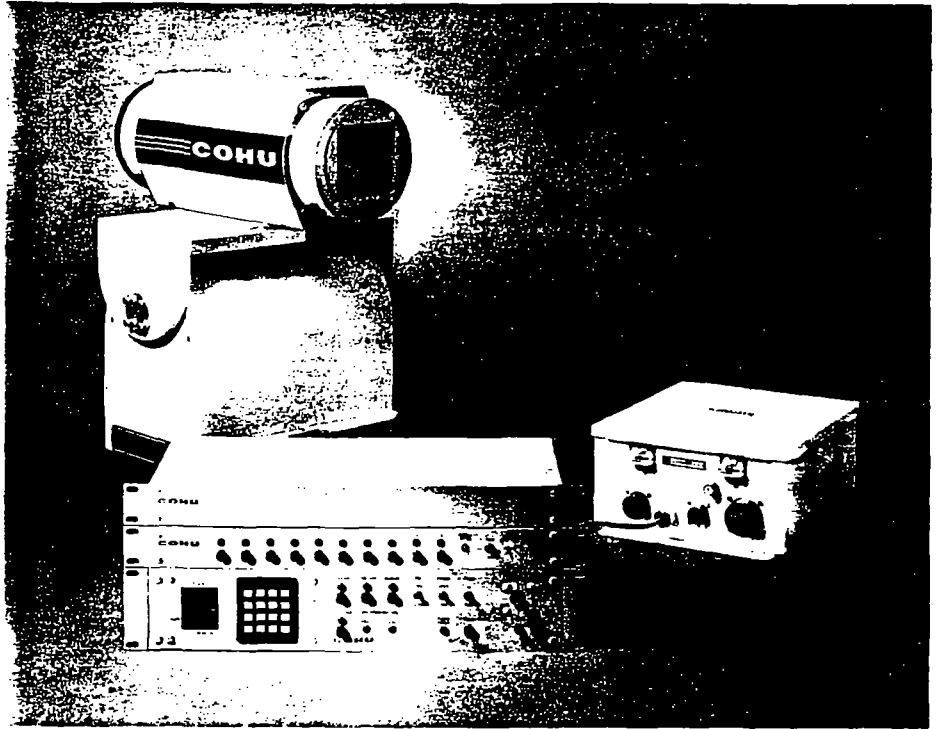
The MPC makes use of state-of-the-art technology, with flexibility to fit most users' custom needs. A standard mini-system of one-camera site control is expandable to 223 camera sites, 32 monitors, and 32 multi-operator Master and Remote stations. Larger system configurations are available upon request.

The MPC utilizes a microprocessor-based CPU, and controls the following:

Camera and Monitor selection, lens operation (iris, focus, and zoom functions), and all pan/tilt commands. Digital control signals are transmitted from the MPC by one or more of three formats: RS-422 serial-data balanced line, RS-232 serial line, or DTMF signals over a twisted pair. The MPC transmitter is compatible with existing systems where receivers utilize one of these transmission formats.

The MPC incorporates the latest technology for surge protection to protect power and data inputs against voltage surges caused by lightning and other sources.

Options available to the user are the Preset Option and the Camera Video Switching Option. The Preset Option controls up to 10 preset positions for each camera. The camera video switching Option allows manual switching or random camera sequencing of up to 16 cameras per monitor for as long as 60 seconds per camera. In addition to these, autoscan, color, and bright light limiter control options are also available. For additional information on expansion capabilities, options, and accessories, consult the Cohu Applications Engineering Group in San Diego or your local Cohu representative.



Typical MPC System Components: Camera on Pan/Tilt Unit, Microprocessor Control Unit, Preset Panel, CPU Receiver Box, RS-422 Distribution Unit

FEATURES

- Controls up to 223 camera sites
- Expand to 31 remote operator stations
- Compatible with RS-422, RS-232, DTMF
- Operator control of pan/tilt, lens functions
- Digitized control signals
- Operator programmable
- Distances up to 5 miles (8 km) with shielded twisted pair
- Power and data line surge protection

OPTIONS

- Preset control for up to 10 positions
- Autoscan, color and bright light limiter controls
- Video switching/sequencing
- RS-422 balanced-line service
- Multiple RS-232 ports

MPC — MICROPROCESSOR CAMERA CONTROL SYSTEM

THE MPC SYSTEM

The Conu microprocessor control (MPC) system provides the latest technology in a computer controlled system. Programming and operating the MPC system is simple and requires no special training.

The MPC control system includes master control panels, remote control panels, preset control panels, control receivers, and RS-422 distribution units. Commands to the control receivers at the camera site are via a single twisted pair cable (shielded if preferred) using RS-422 digital data or optional DTMF or by other communication channels if RS-232. All of the units in the system may be connected in a "daisy chain," or by the use of an RS-422 distribution unit, in a "star" pattern with up to ten legs.

Cameras, monitors and limited camera selection access can be assigned to a specific MPC station with our unique systems approach.

The standard control priority is first call up priority. When the camera site is in use, a busy indicator is illuminated on the numeric display readout.

THE MPC MASTER CONTROL PANEL

The MPC master control panel performs as the system CPU.

The functions performed include:

- 1) polling remote control panels for command/camera selection input.
- 2) routing operator commands to correct control receiver.
- 3) controlling video switchers.
- 4) implementing commands received via RS-232.
- 5) implementing control priority.
- 6) setting system parameters such as the RS-422 baud rate.
- 7) non-volatile storage of camera sequence and camera selection data.
- 8) selection of data transfer (RS-422 2-way, RS-422 1-way, or DTMF) for each camera site.
- 9) implementing functions unique to a particular system (such as priority lockout or camera/monitor access assignment) that may be defined to implement non-standard requirements on a system by system basis.
- 10) RS-232 (single or dual), and * * * DTMF control.

Other system options may be tailored as appropriate for any user system.

THE MPC CONTROL PANEL

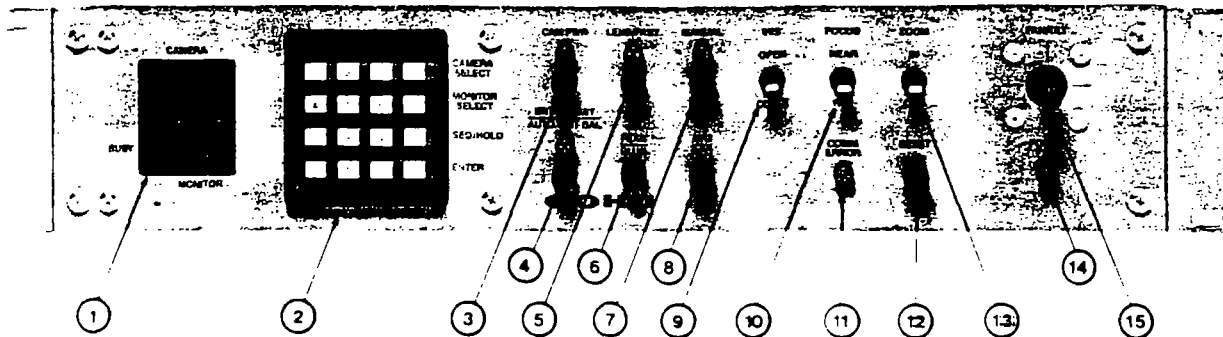
The MPC master control panel and MPC remote control panels serve as operator control units. The MPC control panel is designed for fast, efficient use with little operator training. The layout and clearly designated functions provide the operator quick command and control.

A digital keypad is used to enter monitor/camera selection, sequence programming, sequence/hold commands, and system parameter programming (master only). A numeric display indicates the camera and monitor selection. The busy LED indicator illuminates if the camera is already under control by another operator.

A joystick is used for pan/tilt control, toggle switches for zoom, focus and iris, and push button switches and LED status indicators for camera power, lens speed, and automatic/manual iris select.

Up to three auxiliary push buttons and LED indicators are also available as options for control of bright light limit on/off, peak/avg adjust, auto color balance on/off, manual white balance, or other user defined controls.

COMMAND/CONTROL FOR SELECTED CAMERA SITE



1. NUMERIC DISPLAY

CAMERA
Indicates camera site selected

BUSY
Indicates camera site in use

MONITOR
Indicates which monitor the selected camera out is being directed to

2. PUSHBUTTON KEYPAD

Provides selection of:

- CAMERA SELECT KEY**
Activates camera selection function
- MONITOR SELECT KEY**
Activates monitor select function
- ENTER KEY**
Completes the selection function

3. CAMERA POWER

Starts and stops sequence

C KEY
Clears the selection function

0-9 KEYS
Numeric input for selection function

Selects power on/off. Lamp indicates power on.

4. BRIGHT LIGHT LIMITER/AUTO WHITE BALANCE

B&W—turns bright light limiter on/off. Lamp indicates bright light limiter on.

Color—select auto or manual white balance. Lamp indicates auto.

5. LENS/FAST

Select lens speed for focus and zoom functions. Lamp on indicates fast mode.

6. PEAK/BLUE

B&W—adjusts peak average toward peak.

Color—adjusts more blue in manual white balance.

7. MANUAL

Select automatic, manual iris selection. Lamp on indicates manual control mode.

8. AVERAGE/RED

B&W—adjusts peak average toward average

Color—adjusts more red in manual white balance

9. IRIS OPEN-CLOSE

Opens and closes lens iris when MANUAL mode is activated

10. FOCUS NEAR-FAR

Controls lens focus

11. COMM ERR LAMP

Communication error — indicates communication failure with camera control receiver.

12. RESET SWITCH

Restarts the microprocessor

13. ZOOM IN-OUT

IN brings subject closer on monitor. **OUT** moves it farther away.

14. POWER LAMP

Green indicates the control panel has power. (On-Off switch is on rear panel.)

15. PAN/TILT JOYSTICK

Moving joystick to any position through a full 360° activates the panning (right-left) and/or tilting (up-down)

MPC CONTROL RECEIVER

The MPC control receiver receives command data from the MPC master control panel and decodes the command data, performs error checking, and acts on valid data to drive the pan/tilt unit (if applicable) and camera controls.

MPC PRESET CONTROL PANEL

The preset control panel, installed near the MPC control panel, provides push buttons for operator call-up and programming of presets. LEDs display status or preset positions.

MPC RS-422 DISTRIBUTION UNIT

The RS-422 distribution unit provides for ten twisted pair connections for MPC system data communication to control receivers and remote control panels if a single daisy chain is not convenient.

SPECIFICATIONS

ELECTRICAL

Input Voltage

- (a) 105-130V ac, 50-60 Hz
- (b) 210-260V ac, 50-60 Hz

Input Power

- Control Panel: 30 Watts
- Receiver: 25 Watts, exclusive of camera, heater, and pan/tilt power
- Preset Panel: 0.025 Watts (from control panel)
- RS-422 Dist. Unit: 15 Watts

Surge Protection

- Power Line: 20 amps, peak current: 2500 amps
- Data Line: 100 amps for 1 ms half value pulse width

ENVIRONMENTAL

Ambient Temperature Limits

- Operating:
 - Control Panel: 0 to 50 C (32 to 122 F)
 - Receiver: -40 to 60 C (-40 to 140 F)
 - Preset Panel: -10 to 50 C (14 to 122 F)

- RS-422 Dist. Unit:
 - 20 to 60 C (-4 to 140 F)
- Storage:
 - Control Panel and Receiver: -40 to 85 C (-40 to 185 F)
 - Preset Panel: -30 to 70 C (-22 to 157 F)
 - RS-422 Dist. Unit: -54 to 70 C (-65 to 157 F)

Ambient Air Pressure

Sea level to equivalent of 10,000 feet (3,000m)

Humidity

- Control Panel: 95% relative
- Receiver: 100% relative

Vibration

5 to 30 Hz with 0.03 inches total excursion. From 30 to 1,000 Hz with peak random vibrations of 5 g's without damage or degradation.

Shock

15 g's in any axis under non-operating conditions. MIL-E-5400T paragraph 3.2.24.6

MECHANICAL

Dimensions

Control Panel: 3.5"H x 12.5"D x 19.0"W (8.9cm x 26.7cm x 48.3cm)

Receiver: 5.4"H x 10.0"D x 13.5"W (13.3cm x 25.4cm x 34.3cm)

Preset Panel: 1.72"H x 8.25"D x 19.0"W (4.4cm x 21.0cm x 48.3cm)

RS-422 Dist. Unit: 1.72"H x 8.25"D x 19.0"W (4.4cm x 21.0cm x 48.3cm)

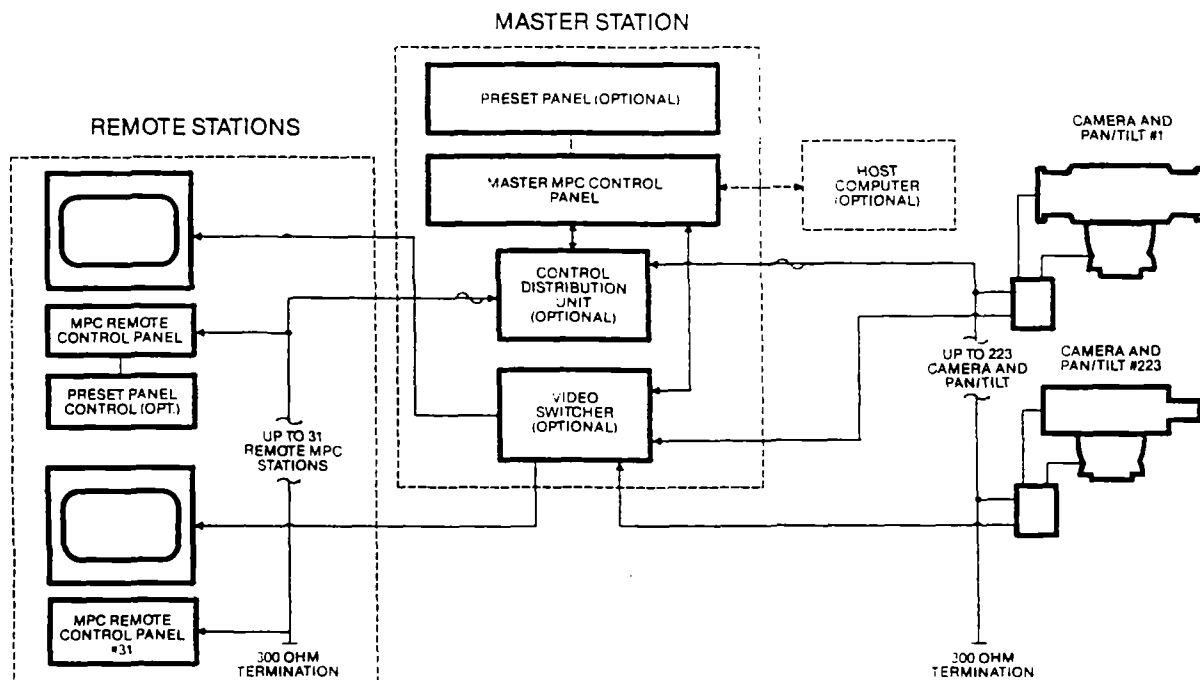
Weight

- Control Panel: 10.4 lbs. (4.7 kgs)
- Receiver: 17.3 lbs. (7.8 kgs)
- Preset Panel: 2.3 lbs. (1.02 kg)
- RS422 Distribution Unit: 4.2 lbs. (1.9 kg)

Enclosure

- Control Panel, Preset Panel, RS-422 Dist. Unit: 19" (48.3cm) rack mount
- Receiver: NEMA-4 weatherproof box

TYPICAL MPC SYSTEM



MPC — MICROPROCESSOR CAMERA CONTROL SYSTEM

ORDERING INFORMATION

CONTROL PANEL

MPC	-	X	-	X		XX	/	XX/---/XX
System		Panel Configuration		Input Power		Front Panel Options (*)		System Options (As required)
MPC		M Master R Remote		0 None 1 115 VAC, 50/60 Hz 2 230 VAC, 50/60 Hz		00 Basic MPC (0) 01 Bright Light Limiter (1) 02 BLL/Peak/Avg (3) 03 Auto Scan (1) 04 White Balance (3) 05 BLL/Peak/Avg/White Balance (3)		51 Preset 52 RS-232, Single° 53 RS-232, Dual° 54 Video Switcher, Parallel° 56 DTMF°

* Number of positions required for options — 3 Positions Max
° Master or Remote
° Master Only

Note: Multiple Options require slash (/) between numbers

CONTROL RECEIVER

MPC-D	-	X		X		X	/	XX
System		Input Power		Camera Power		Pan/Tilt Power		Options (As required)
MPC-D		1 115 VAC, 60 Hz 2 230 VAC, 50/60 Hz		1 115 VAC 2 230 VAC 4 12 VAC 5 12 VDC 6 24 VAC 7 24 VDC		0 None 1 115 VAC 2 230 VAC 3 115 VDC 6 24 VAC		56 DTMF

AUXILIARY EQUIPMENT & CABLES

MPC	-	XX		-	XXX
System		Configuration		Auxiliary Equipment	Cables
MPC		AE Auxiliary Equipment CA Cable		000 None 001 Preset Panel 102 RS-422 Distribution Unit (115 VAC, 60 Hz) 202 RS-422 Distribution Unit (230 VAC, 50/60 Hz)	234 Master Control Panel to RS-422 Distributor Unit 236 Control Receiver to Camera 237 Control Receiver to Vicon Pan/Tilt 238 Control Receiver to Pelco Pan/Tilt (with-PP opt.) 239 RS-232 Type (Null Modem) 240 Master Control Panel to Remote Control Panel Remote Control Panel to Remote Control Panel 241 Control Panel to Preset Panel 242 Remote Control Panel to RS-422 Distribution Unit 243 Control Receiver to RS-422 Distribution Unit 244 Master Control Panel to Control Receiver 245 Control Receiver to Pelco Pan/Tilt (without-PP opt.)

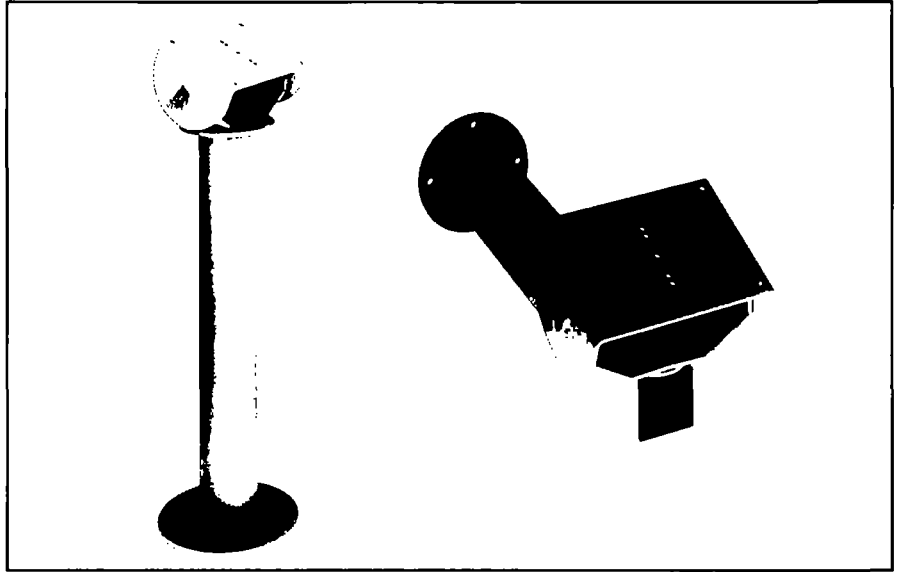
CCTV MOUNTING EQUIPMENT

MOUNTS AND ACCESSORIES

Cohu offers a selection of light-, medium-, and heavy-duty mountings for CCTV cameras and monitors. Indoor and outdoor versions are available to suit the environment of the intended application. Each unit has been designed for dependability and long life.

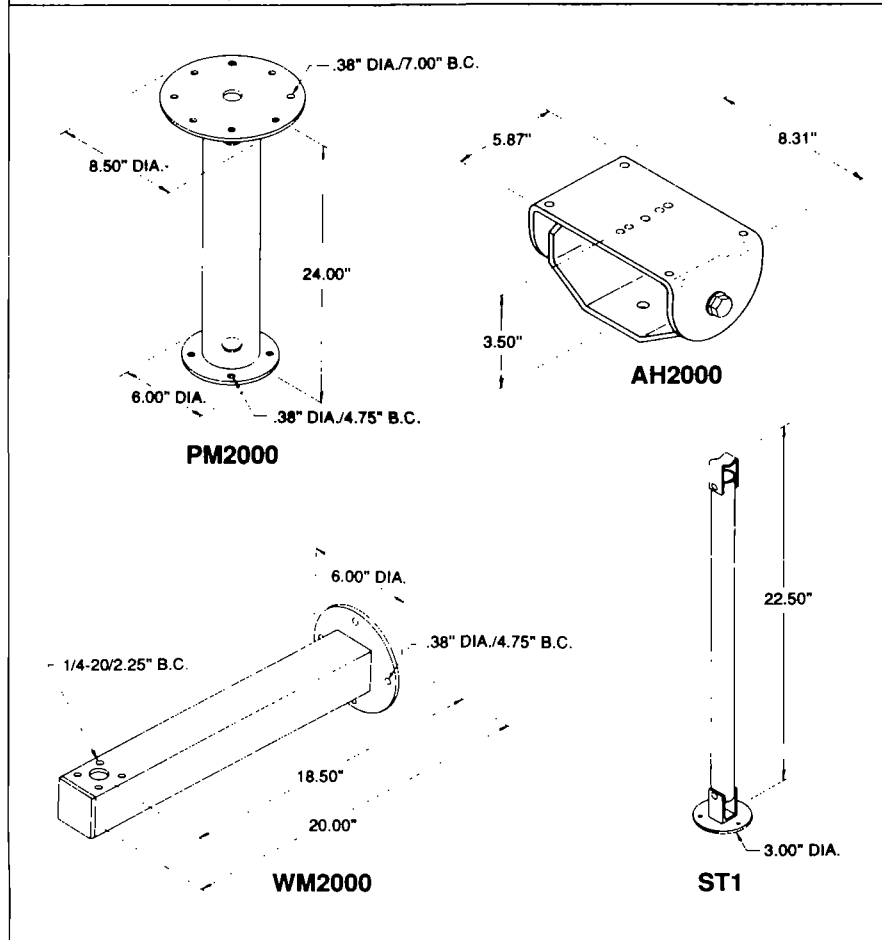
Where an adjustable head is required, be sure to include its separate model number when ordering the basic mount.

If you need assistance in determining the proper accessories for your particular CCTV installation, please call your Cohu representative, or call the factory and ask to speak with one of our experienced applications engineers.



Model PM2000 Pedestal Mount and WM2000 Wall Mount With Model AH2000 Manually Adjustable Pan/Tilt Head Adapter

PM2000, WM2000, AH2000, and ST1 DIMENSIONS



SPECIFICATIONS

WM2000 WALL MOUNT

The WM2000 is a universal wall arm mount designed for wall mounting medium- to heavy-duty pan/tilts or heavy-duty camera enclosures. The WM2000 will support loads of up to 75 lbs. When used with an optional ST1 support strut, maximum load capacity is increased to 150 lbs.

PM2000 PEDESTAL MOUNT

The PM2000 is a universal pedestal mount designed for use with all medium- and heavy-duty pan/tilts. Its aluminum construction ensures load capacity up to 125 lbs. ST1 struts can be used to increase horizontal stability in windy areas. The PM2010 is the same as the PM2000 except it is 10" high.

AH2000 HEAD ADAPTER

The AH2000 adjustable head adapter is designed for use with WM2000 and PM2000 mounts. It provides 360° horizontal movement. For certain installation applications, the AH2000 can be used alone.

INDOOR/OUTDOOR MOUNTS AND ACCESSORIES

PEDESTAL AND WALL MOUNTS

CM1700 LIGHT-DUTY MOUNT

The CM1700 is a light-duty low-cost universal mount primarily designed for ceiling or pedestal mounting. It can also be used as a wall mount. The CM1700 features an easily adjustable ball/swivel head for camera positioning and is finished in black anodized and beige enamel. Its 6.75" stem supports up to 10 lbs.

CM1400/PM14 WALL MOUNT

Designed for interior use in banks, offices and similar installations, the CM1400/PM14 will easily accommodate light-duty cameras and other equipment up to 20 lbs. This economical mount measures 9.75" from the base to its mounting point, and is made of die-cast aluminum. The CM1400 features an easily adjustable ball/swivel head which allows unlimited pan rotation and 90° tilt down angle. The PM14 is identical to the CM1400 except that it has an adapter plate in place of the ball/swivel head.

EM1400 WALL MOUNT

This light duty wall mount is designed for use with light- to medium-weight cameras and camera enclosures up to 20 lbs. It features a 9.71" die-cast aluminum arm with an adjustable head which allows mechanical positioning of the camera or enclosure.

EM22 and MM22 ENCLOSURE MOUNTS

For loads up to 40 lbs., the EM22 Wall Mount and the MM22 Pedestal/Ceiling Mount are economical solutions. Both mounts have fully adjustable swivel heads and are made of sturdy cast aluminum. The EM22 measures 16.50" from base to mounting point; the MM22 measures 6.86" in height.

MOUNTING ACCESSORIES

PAN/TILT ADAPTER PLATES

The PA2000 is the adapter plate for medium-duty pan/tilts and scanners and the PA2010 will adapt to all heavy-duty pan/tilts. Both are for use with the WM2000 Universal Wall Mount.

POLE MOUNT ADAPTERS

The PA100 Series Pole Mount Adapters permit the use of a standard wall mount when installation of CCTV equipment is required on a pole. Lightweight and easily installed, the rugged one-piece aluminum construction provides a strong, stable mounting surface for the accessory equipment. The Model PA100 is designed for use with CM1400, EM22, and EM1400 mounts. Minimum pole diameter is 1.5". Model PA102 is for use with WM2000 mounts, and requires a pole with a 3" minimum diameter. The SPA102 Pole Mount Adapter is for use with the ST1 Support Strut in installations requiring additional support: minimum pole diameter is 3 inches.

PARAPET MOUNT ADAPTER

Model PP100 Parapet Mount Adapter eliminates the expense and hazards of installing and servicing CCTV equipment mounted on parapets. Supporting up to 175 lbs., the PP100 fastens to the inside of the parapet and is rotatable a full 360° so the equipment can be installed and serviced in safety from the rooftop. It can be installed on any parapet wall at least 18" high, and is compatible with most wall mounts.

CORNER MOUNT ADAPTERS

Model CM100 Corner Mount Adapters are compatible with WM2000 Wall Mounts. In installations requiring the addition of an ST1 Support Strut, a Model SCM100 Corner Mount Strut Adapter must also be used.

COHU RESERVES THE RIGHT TO CHANGE SPECIFICATIONS WITHOUT NOTICE.



5755 Kearny Villa Road • San Diego, CA 92123
FAX: (619)277-0221 • Telephone: (619)277-6700 • TWX: 910-335-1244

COHU
Cohu, Inc./Electronics Division

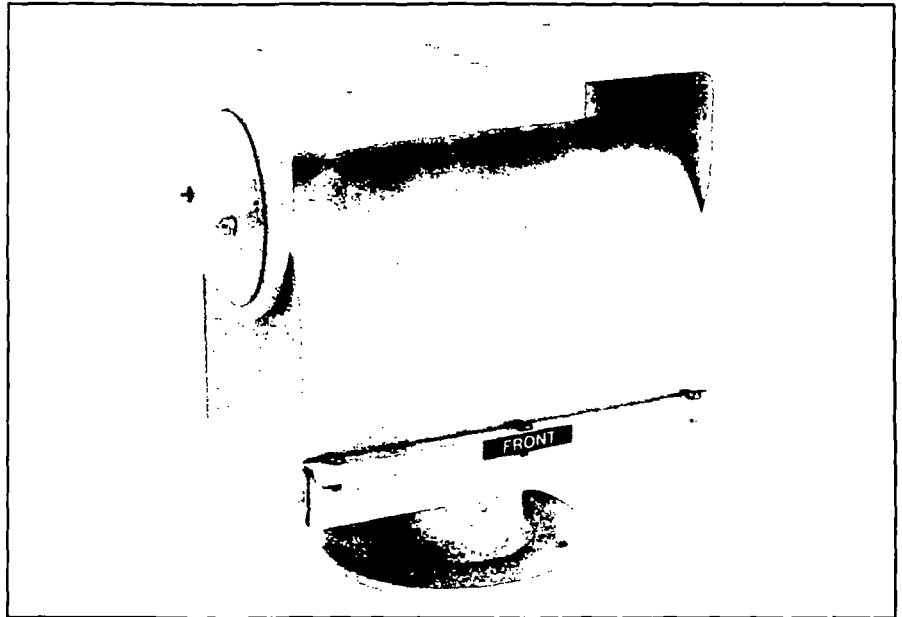
CCTV REMOTE POSITIONING DEVICES

PAN AND TILT UNITS

Cohu offers a selection of pan and tilt units for a wide array of applications and environmental conditions. Outdoor units are built to withstand harsh conditions such as rain, snow, and extreme temperatures. Some indoor applications may require environmental pan and tilt units due to extreme conditions.

In selecting the proper unit for your application, the most important consideration is weight. Be sure to include the total weight of the camera/lens package. Also, be sure to factor in high winds and other conditions that might put additional strain on the unit.

For assistance in determining the correct equipment for your application, please call your Cohu representative, or call the factory and ask to speak with one of our experienced applications engineers.



Model PT550P Medium Duty Outdoor Pan and Tilt Unit

PT175-24P LIGHT DUTY

- **Indoor/Outdoor Operation**
- **Inverted Operation**
- **External Limit Adjustment**
- **Pan**
0—355° movement in horizontal plane at 9°/second $\pm 1^\circ$ (No-load condition)
- **Tilt**
 $\pm 90^\circ$ movement in vertical plane at 3°/sec. $\pm 0.5^\circ$ (No-load condition)
- **Maximum Load**
20 lbs. at 5" from tilt table surface to center of gravity
- **Gearing**
Chain and sprocket pan drive; worm gear tilt drive
- **Input Voltage**
24V ac, 50/60 Hz
- **Power Requirements**
Running: 0.47 amp, 30.8 VA
Starting: 1.81 amps, 43.5 VA
- **Construction**
Aluminum casting and plate, all internal parts corrosion protected
- **Temperature**
-10°F to 140°F (-23°C to 60°C)
- **Weight**
18 lbs (8.1 kg)

PT270P MINI PAN/TILT

- **For Indoor Operation**
- **Inverted Operation**
- **External Limit Adjustment**
- **Pan**
0—355° movement in horizontal plane at 9°/second $\pm 1^\circ$ (No-load condition)
- **Tilt**
 $\pm 90^\circ$ movement in vertical plane at 3°/sec. $\pm 0.5^\circ$ (No-load condition)
- **Maximum Load**
15 lbs. at 5" from tilt table surface to center of gravity
- **Gearing**
Chain and sprocket final drive
- **Input Voltage**
115V ac, 50/60 Hz or 24V ac, 50/60 Hz (Model PT270-24P)
- **Power Requirements**
24V units: 0.74 amp (running)
115V units: 0.13 amp (running)
- **Construction**
Aluminum plate, all internal parts corrosion protected
- **Temperature**
-10°F to 140°F (-23°C to 60°C)
- **Weight**
9 lbs (4 kg)

PT550P MEDIUM DUTY

- **For Outdoor Operation**
- **Easy Serviceability**
- **Inverted Operation**
- **Dynamic Braking for Instantaneous Stopping**
- **Adjustable Worm Gear Final Drive to Prevent Drift and Minimize Backlash**
- **Pan**
0—355° movement in horizontal plane at 6°/second $\pm 1^\circ$ (No-load condition)
- **Tilt**
 $\pm 90^\circ$ movement in vertical plane at 3°/sec $\pm 0.5^\circ$ (No-load condition)
- **Maximum Load**
40 lbs. at 5" from tilt table surface to center of gravity
- **Input Voltage**
115V dc
- **Power Requirements**
0.88 amp, 102 VA maximum
- **Construction**
Aluminum plate, all internal parts corrosion protected
- **Temperature**
-10°F to 140°F (-23°C to 60°C)
- **Weight**
22 lbs (9.9 kg)
- **Preset Position Option**

Designed and manufactured in the U.S.A.

COHU
INC
ELECTRONICS DIVISION

PAN AND TILT UNITS

SPECIFICATIONS

PT570P MEDIUM DUTY

- **For Outdoor Operation**
- **Easy Serviceability**
- **Inverted Operation**
- **External Limit Adjustment**
- **Adjustable Worm Gear Final Drive to Prevent Drift and Minimize Backlash**
- **Pan**
0—355° movement in horizontal plane at 6°/second $\pm 1^\circ$ (No-load condition)
- **Tilt**
 $\pm 90^\circ$ movement in vertical plane at 3°/sec. $\pm 0.5^\circ$ (No load)
- **Maximum Load**
40 lbs. at 5" from tilt table surface to center of gravity
- **Input Voltage**
115V ac, 50/60 Hz or 24V ac, 50/60 Hz (Model PT570-24P)
- **Power Requirements**
24V units: 1.8 amps running, 2.70 amps maximum
115V units: 0.36 amps running
- **Construction**
Aluminum plate, all internal parts corrosion protected
- **Temperature**
-10°F to 140°F (-23°C to 60°C)
- **Weight**
22 lbs (9.9 kg)
- **Preset Position Option**

PT1250P HEAVY DUTY

- **Indoor/Outdoor Operation**
- **Easy Serviceability**
- **Rugged Construction**
- **Explosion-Proof Models**
- **External Limit Adjustment**
- **Adjustable Worm Gear Final Drive to Prevent Drift and Minimize Backlash**
- **Pan**
0—355° movement in horizontal plane at 6°/second $\pm 1^\circ$ (No-load condition)
- **Tilt**
 $\pm 90^\circ$ movement in vertical plane at 3°/sec. $\pm 0.5^\circ$ (No load)
- **Maximum Load**
100 lbs. at 5" from tilt table surface to center of gravity
- **Input Voltage**
115V ac, 50/60 Hz; 220V ac option for Explosion-Proof Models); 115V dc (Model PT1250DC)
- **Power Requirements**
Standard 115V ac models: 0.70 amps running, 1.20 amps
Explosion-Proof Models: 1.0 amp running, 1.48 amps maximum
115V dc models: 0.66 amps running, 1.0 amp maximum
- **Construction**
Aluminum casting and plate, all internal parts corrosion protected
- **Temperature**
-10°F to 140°F (-23°C to 60°C)
- **Weight**
55 lbs (25 kg)
- **Preset Position Option**

PT2000L EXTRA HEAVY DUTY

- **Outdoor Operation**
- **Dynamic Braking for Instantaneous Stopping**
- **Rugged Construction**
- **External Limit Adjustment**
- **Adjustable Worm Gear Final Drive to Prevent Drift and Minimize Backlash**
- **Pan**
0—355° movement in horizontal plane at 6°/second $\pm 1^\circ$ (No-load condition)
- **Tilt**
 $\pm 90^\circ$ movement in vertical plane at 6°/sec. $\pm 0.5^\circ$ (No load)
- **Maximum Load**
150 lbs. at 5" from tilt table surface to center of gravity
- **Input Voltage**
115V dc
- **Power Requirements**
Running: 2.4 amps, 276 VA
Starting: 3.6 amps, 414 VA
- **Construction**
Aluminum casting and plate, all internal parts corrosion protected
- **Temperature**
-10°F to 140°F (-23°C to 60°C)
- **Weight**
110 lbs (50 kg)
- **Preset Position Option**

COHU RESERVES THE RIGHT TO CHANGE SPECIFICATIONS WITHOUT NOTICE.

PRESET POSITION OPTION

The Preset Position Option is a position feedback modification which allows pan and tilt to be automatically positioned to various preset positions. This feature requires the use of a Cohu MPC Microprocessor Control System or related equipment.

ALPHANUMERIC DISPLAY SYSTEM

SID-100 & UDC-111

Cohu's Model SID-100 Source ID Generator is designed to provide positive identification of the source of the video signal displayed on a monitor screen. The more cameras utilized in a closed-circuit television system, the more desirable it is to be certain you know which camera view is being observed. Typical applications include security/surveillance, airport ground traffic control, penal institutions, mass transit facilities, and other complex monitoring operations.

A 16-character alphanumeric display is produced by each SID-100 Source ID Generator and superimposed on the appropriate video image. Each character is 28 TV lines high and is derived from a standard 5x7 dot matrix. The particular display information is programmed into an erasable EPROM using a PROM programmer. This information is inserted into the video signal by raising the appropriate portions of the signal to whiter-than-white voltage levels without overdriving the monitor. Vertical position of the display is determined by jumper selection and horizontal position is determined by the potentiometer. Once installed, the programmed ID is automatically displayed with its associated video signal.

EPROMs are installed in the appropriate SID-100 Source ID Generator boards which are, in turn, installed into an 18-board capacity Model UDC-111 rackmountable display chassis. EPROMs may be erased with an ultra-violet light EPROM eraser. Programming of EPROMs is available from Cohu. In addition, Cohu can provide, as a special ER feature, a PROM programmer and PC-compatible software to enable user programming.

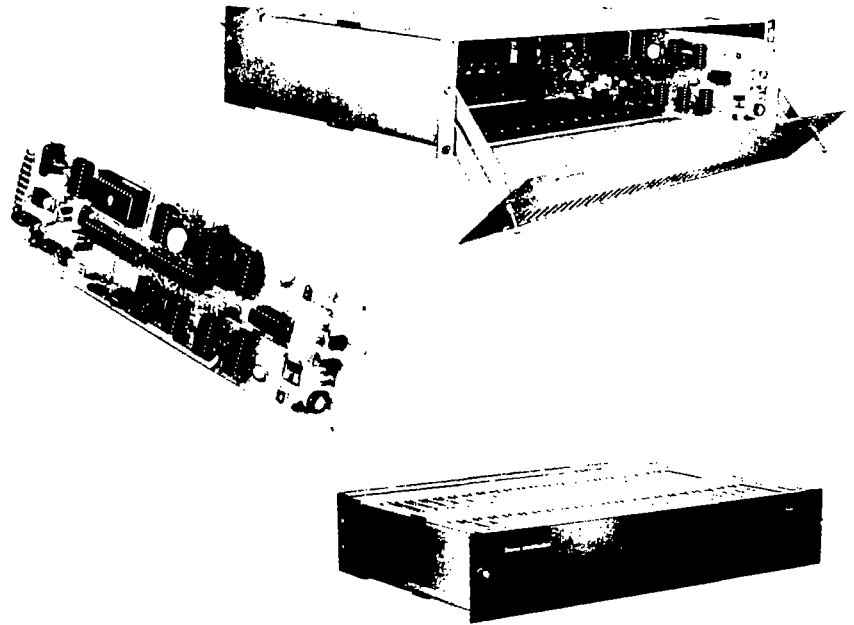
ELECTRICAL

Each Source ID Generator board separates the composite sync from the video input for use in providing timing for its digital logic and memory circuits. Display information

is inserted into the video output without distorting any other signal characteristics. Any Source ID Generator board may be removed without disturbing the video signal. The SID-100 is compatible with all closed-circuit television systems utilizing either EIA standard RS-170 or CCIR specifications.

MECHANICAL

Up to 18 individual SID-100 boards may be installed in a Cohu Model UDC-111 rackmountable chassis, which fits in a standard 19" rack with a 3.5" panel height. Video is cabled to and from the chassis through 36 BNC connectors located on the back panel.



Shown clockwise from top: The Cohu SID-100 Source ID Generator and UDC-111 chassis; the UDC-111 chassis; and the SID-100 module.

FEATURES

- Video source identification at a glance
- 16-character white alphanumeric display
- Field programmable
- Display location on monitor screen, jumper selectable
- Capatible with EIA RS-170 and CCIR specifications
- Up to 18 separate Source ID Generator boards in a single 19" rackmount chassis

Designed and manufactured in U.S.A.

COHU
INC
ELECTRONICS DIVISION

SID-100 & UDC-111 — ALPHANUMERIC DISPLAY SYSTEM

SPECIFICATIONS

ELECTRICAL

Input Power

115 VAC/20 W (18 modules installed)

Input Signal Level

-4 dB; nominal 1.0 V p-p composite video, EIA RS-170 (CCIR special order only)

Characters

Alphanumeric; 28 lines high; white

Number of Characters

16 per module, including blanks

MECHANICAL

Chassis Dimensions

19.0" x 13.0" x 3.5"
(48.26 cm x 33.02 cm x 8.89 cm)

Chassis Connectors

36 BNC Type Connectors

Number of ID Generator Modules per Chassis

Up to 18, maximum

ENVIRONMENTAL

Ambient Temperature Limits

Operating: 0° to 50°C (32° to 122°F)

Storage: -40° to 85°C (-40° to 185°F)

Ambient Air Pressure

Sea level to equivalent of 10,000 feet (3,048 m) above sea level (24.4 cm of mercury)

Humidity

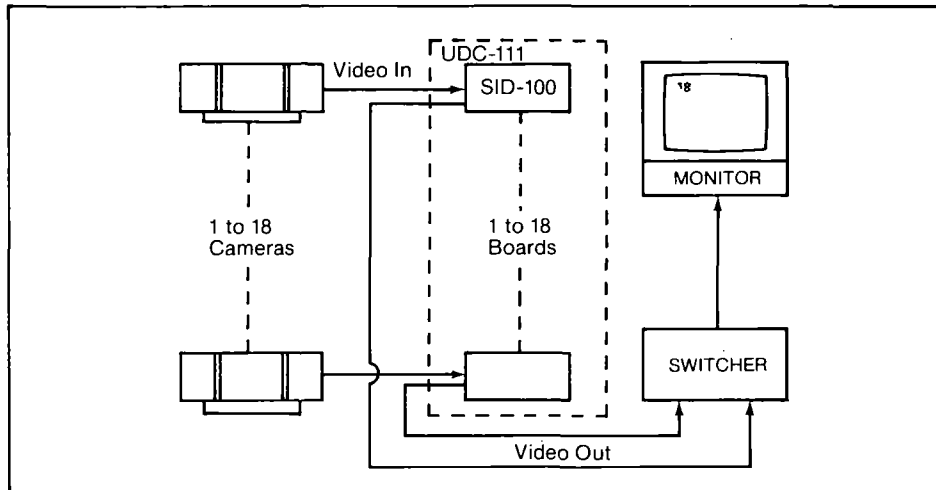
95% relative humidity (without condensation)

Shock

15 g's in any axis under non-operating conditions, MIL-E-5400R, para. 3.2.24.6.

ORDERING INFORMATION

MODEL NUMBER	DESCRIPTION
SID-100	Source ID Generator Module (specify EPROM programmed or unprogrammed)
UDC-111	Display Chassis, with power supply



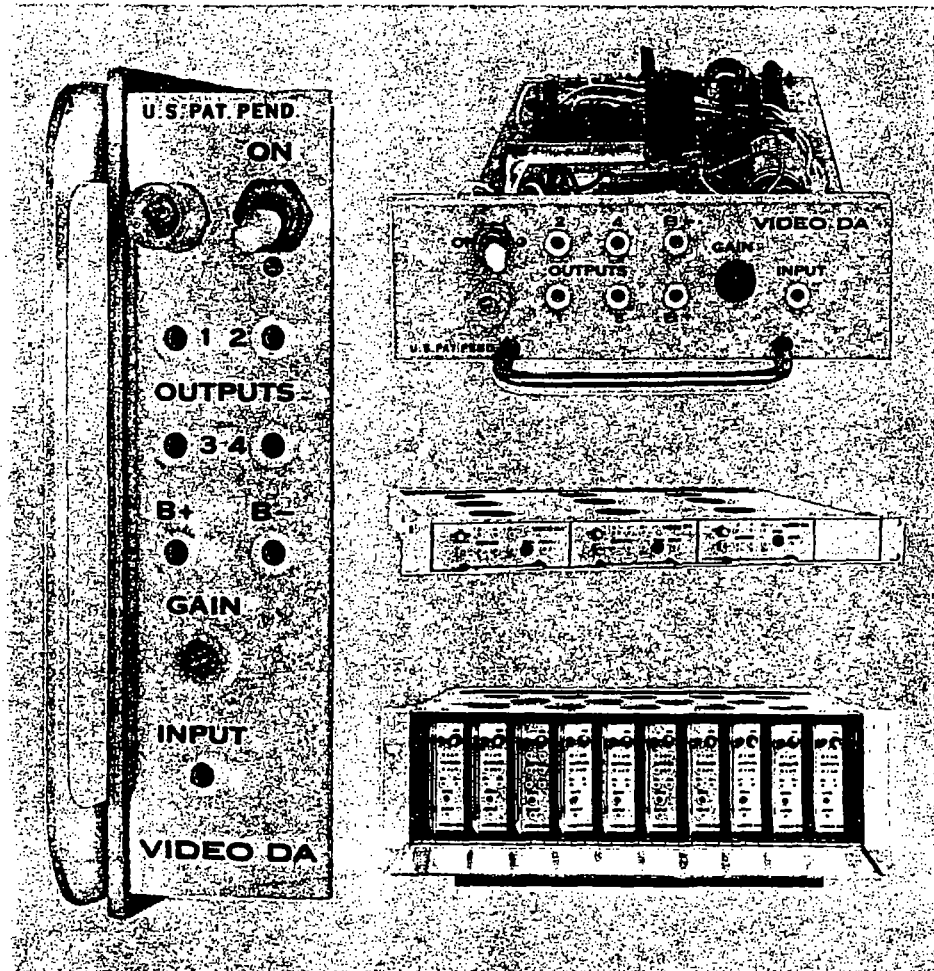
COHU RESERVES THE RIGHT TO CHANGE SPECIFICATIONS WITHOUT NOTICE.



VIDEO DISTRIBUTION AMPLIFIERS

9800 SERIES

The Cohu 9800 Series Video Distribution Amplifier is a solid-state, side-band video amplifier that amplifies and distributes video signals from one input to four output channels. The input may be composite or noncomposite, monochrome or color video. Each amplifier has an integral power supply; AC on-off switch and indicator; front panel test points for input, output and power supply; and a video gain adjustment on the front panel. Individual connector panels, one for each amplifier, fasten to the rear of the enclosure and have six BNC or UHF connectors, one connector for each output and two for the bridging (loop-thru) input.



FEATURES

- Modular Construction With Total Solid-State Active Circuitry
- Choice of Vertical or Horizontal Configuration
- Fits Standard 19-inch Rack or Cabinet
- Integral Power Supply on Each Module

9800 SERIES — VIDEO DISTRIBUTION AMPLIFIERS

SPECIFICATIONS

ELECTRICAL

Type of Input

Video, composite or noncomposite (monochrome or color)

Input Level

Composite: 1V p-p or 1.4V p-p (nominal)

Noncomposite: 0.7V p-p or 1V p-p (nominal)

Number of Inputs

One

Input Characteristics

Bridging greater than 50K ohms at 1 KHz. (Provision for loop-through of 75-ohm line. Less than 2 nanoseconds delay.)

Reflection Coefficient

Less than 2%

Output Level

Composite: 1V p-p or 1.4V p-p (nominal)

Noncomposite: 0.7V p-p or 1V p-p (nominal)

Number of Outputs

Four

Output Impedance

75-ohm source-terminated

Isolation Between Outputs

Greater than 35 dB at 3.58 MHz

Isolation Between Amplifiers

Greater than 60 dB to 10 MHz, greater than 50 dB to 20 MHz

Video Gain

20 MHz \pm 0.25 dB (can be adjusted for 30 MHz \pm 1 dB)

Differential Gain

Less than 0.2% at 10%, 50% and 90% APL (average picture level)

Differential Phase

Less than 0.2° at 10%, 50% and 90% APL

Tilt

Less than 1% (to all-white picture)

Noise

Less than 0.5mV rms, 20 Hz to 20 MHz

Delay Time

15 nanoseconds at 3.58 MHz

ENVIRONMENTAL

Power Requirements

105–125V, 50–60 Hz, 3W max. per PDA, 4W max. per VDA or 5W max. per SDA

Operating Temperature

-20°C to +50°C

Humidity

To 95%

MECHANICAL

Dimensions

Amplifiers: 1¼" W × 4½" H × 10½" D

Vertical-Chassis: 19" W × 5¼" H × 16" D

Horizontal-Chassis: 19" W × 1¼" H × 16" D

Weight

Amplifiers: 1 lb. 6 oz. net, 3 lb. shipping max

Vertical-Chassis: 12 lbs. net, 25 lbs. shipping

Horizontal-Chassis: 5 lbs. net, 10 lbs. shipping

ORDERING INFORMATION

VIDEO DA MODEL NO.	ENCLOSURE	
9850-000	Vertical Chassis	Holds 10 DAs
9860-000	Horizontal Chassis	Holds 3 DAs
	DISTRIBUTION AMPLIFIERS	
9800-152	For Horizontal Chassis	With BNC connector assembly, 1 input (with loop-thru) and 4 outputs
9800-352		With UHF connector assembly, 1 input (with loop-thru) and 4 outputs
9800-151	For Vertical Chassis	With BNC connector assembly, 1 input (with loop-thru) and 4 outputs
9800-351		With UHF connector assembly, 1 input (with loop-thru) and 4 outputs

Two types of enclosures are available for mounting in a standard 19-inch rack or cabinet. The vertical chassis accommodates up to ten vertically plugged-in amplifiers and the horizontal chassis holds up to three amplifiers. The line cord and fuse are attached to the rear of the chassis and power distribution to all amplifiers is via interconnection board. The vertical chassis requires 5¼" of rack space and the horizontal chassis requires 1¼" of space.

COHU RESERVES THE RIGHT TO CHANGE SPECIFICATIONS WITHOUT NOTICE.

5755 Kearny Villa Road • P.O. Box 85623 • San Diego, CA 92138-5623
Telephone: (619) 277-6700 TWX: 910-335-1244

COHU
INC
ELECTRONICS DIVISION

VIDEO CABLE EQUALIZER

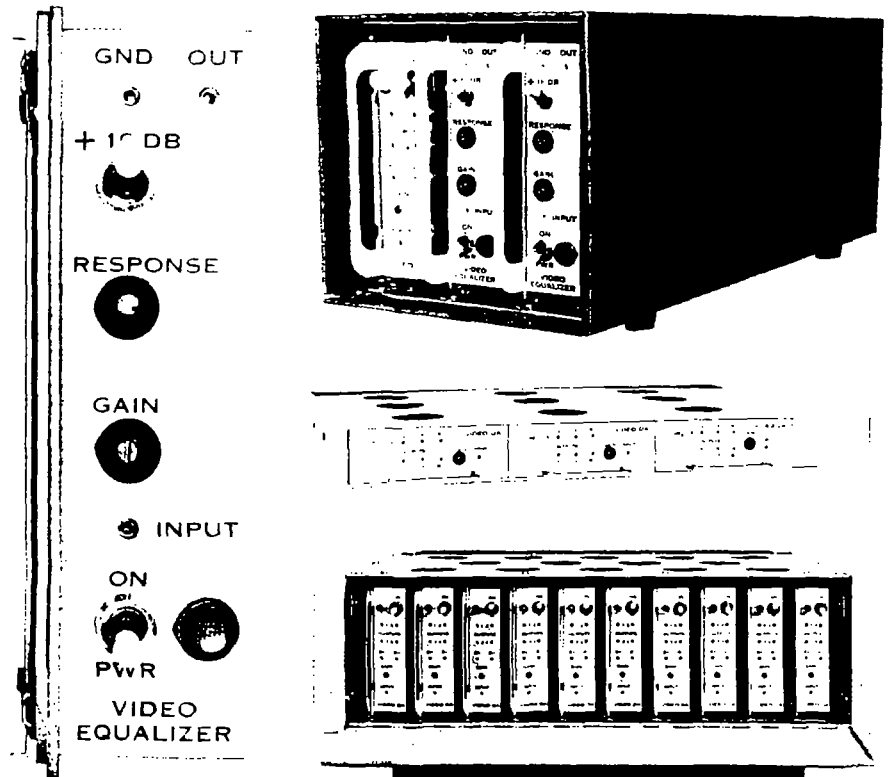
9800 SERIES

The Cohu 9800 Series Video Cable Equalizer compensates for high frequency losses due to long runs. Equalization is sufficient for up to 6000 feet of RG-11/U foam dielectric cable. Longer distances can be equalized by using polyfoam dielectric cables having even lower losses.

The equalizer is a self-contained, plug-in module, having its own integral regulated power supply. All circuitry is contained on an etched, glass epoxy circuit board. All components, test points and adjustments are prominently marked.

Equalization to 30 dB at 10 MHz is provided by three convenient front panel controls, variable RESPONSE control, a variable GAIN control, and a fixed +15 dB toggle switch. Equalization of 0 to 15 dB is made using the RESPONSE control. Equalization above 15 dB requires activating the +15 dB toggle switch and using the variable RESPONSE control. Activating the +15 dB toggle switch introduces a fixed 15 dB of equalization to which the variable RESPONSE control will add the necessary signal for up to a total of 30 dB equalization at 10 MHz. Should low frequency gain compensation be necessary, the variable GAIN control will provide from -4 dB to +6 dB adjustment, which shifts the entire equalization curve, low frequency to high frequency.

The Cohu 9800 Series Equalizer, when used at the receiving end of a cable, provides excellent results with both color and monochrome video signals. The equalizer will accept either a 75-ohm unbalanced or 124-ohm balanced input, producing an equalized 75-ohm unbalanced output. Differential input provides rejection of hum caused by ground loops. The equalizer may also be used at the transmitting end with similar excellent performance.



Shown clockwise from left: The Cohu 9800 series Video Cable Equalizer, Portable Cabinet, Horizontal Frame and Vertical Frame.

FEATURES

- Up to 30 dB Equalization at 10 MHz
- Dependable Operation Over a Wide Environmental Range
- Front Panel Variable Equalization Adjustments
- Total Solid State Active Circuitry
- Exceptional Low Hum and Noise Level
- Integral, Regulated Power Supply on Each Module

3800 SERIES — VIDEO CABLE EQUALIZER

SPECIFICATIONS

ELECTRICAL

Video Inputs

One 75-ohm coaxial input, grounded or differential alternate, one 124-ohm balanced input

Video Output

1V p-p maximum, 75-ohm source-terminated

Compensation at 10 MHz

30 dB total, 0 to 15 dB adjustable, 15 dB fixed

Frequency Response (Amplifier plus Cable)

Gain increase shall be proportional to the square root of the frequency to within ± 0.5 dB, ± 0.1 dB per MHz up to 10 MHz

Tilt

None (direct coupling)

Amplifier Voltage Gain

Adjustable from -4 dB to +6 dB

Common Mode Rejection

55 dB at 50 to 60 Hz up to 3 volts peak-to-peak

Differential Gain

2% maximum, 10%, 50%, 90% APL

Differential Phase

$\pm 1^\circ$ maximum, 10%, 50%, 90% APL

Hum and Noise

50 dB RMS below 0.7V p-p

Power Requirements

100/130, 200/260VAC, 50-60 Hz, 10W max

Connectors

Input 75-ohm UHF, 124-ohm twin UHF; Output 75-ohm BNC

ENVIRONMENTAL

Operating Temperature

-20° to +60°C (-4° to +140°F)

Humidity

To 90%, noncondensing

Shock Limits

15 g's on any axis under non-operating conditions per MIL-E-5400R, para. 3.2.24.6

Vibration Limits

0.03 inches total excursion from 5 to 30 Hz and peak random vibration of 5 g's from 30 to 1,000 Hz

MECHANICAL

Dimensions

Equalizer: 1.1"W x 4.4"H x 10.75"D (2.79 x 11.17 x 20.30 cm)

Vertical Frame: 19.9"W x 5.25"H x 14.1"D (48.26 x 13.33 x 35.82 cm)

Horizontal Frame: 19.0"W x 1.74"H x 13.8"D (48.26 x 4.44 x 35.05 cm)

Portable Cabinet: 5.6"W x 5.4"H x 13.5"D (14.22 x 13.71 x 34.29 cm)

Weight

Vertical Frame: 12 lbs. net, 25 lbs. shipping

Horizontal Frame: 5 lbs. net, 10 lbs. shipping

Equalizer Module: 1.5 lbs.

Cabinet: 2 lbs.

ENCLOSURES

The Cohu Video Cable Equalizer Module may be mounted in any of three enclosures. A 10 module vertical frame, a 3 module horizontal frame or a 3 module self-contained portable cabinet. The 10 module vertical or 3 module horizontal frame will mount into a standard 19-inch rack.

MODEL NUMBERS

ENCLOSURE DESCRIPTION	MODEL NUMBER
10 Module Vertical Frame	9850-000
3 Module Horizontal Frame	9860-000
3 Module Portable Cabinet	9870-000
VIDEO CABLE EQUALIZER	AMPLIFIERS
Vertical Amplifier	9800-855
Horizontal Amplifier	9800-856

COHU RESERVES THE RIGHT TO CHANGE SPECIFICATIONS WITHOUT NOTICE.

HIGH RESOLUTION CCTV MONITORS

9600C SERIES

Monochrome Monitors

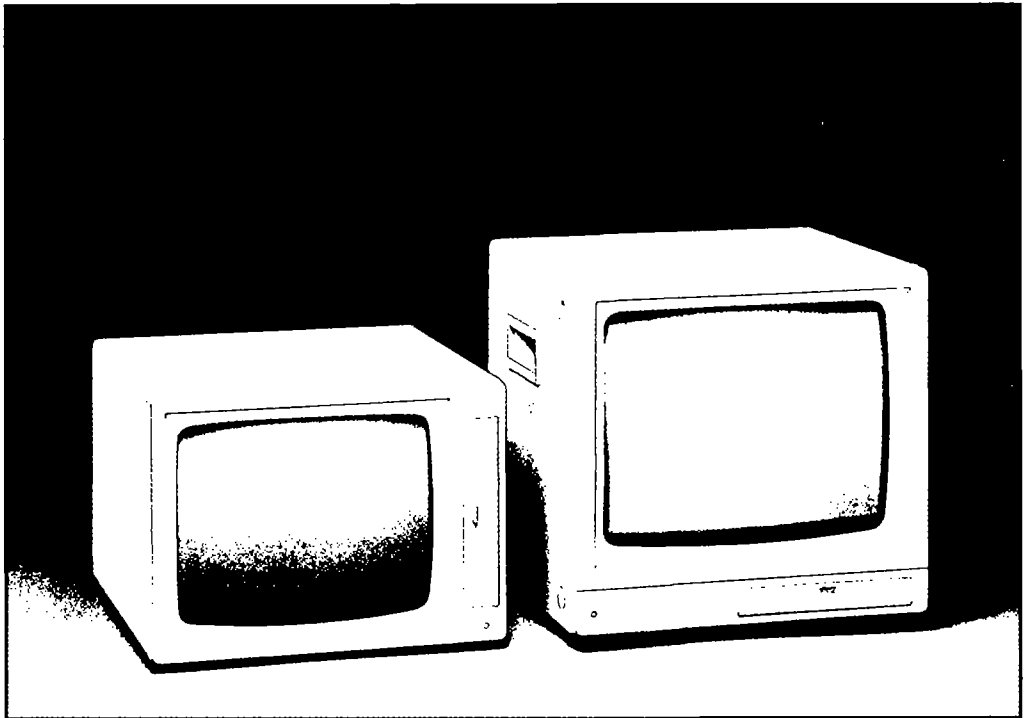
Cohu 9600C Series monochrome monitors are high quality, high performance raster scan displays built to international performance standards. They give stable and reliable performance for virtually every surveillance, industrial, medical, or educational CCTV application. They are extremely rugged, with exceptional geometry, and an average MTBF of 60,000 hours.

Cohu 9600C monitors are offered in 9", 12", 15", 17", and 23" (diagonal) models with P4 white phosphor anti-glare faceplate standard and feature a minimum center resolution of 1000 TV lines.

A full selection of rack, ceiling, and wall mounts is available.

STANDARD FEATURES

- **Variable scanning** to ensure signal reliability
- **High resolution** linear grey scale (16 discernible levels of black and white)
- **Rugged** metal case construction
- **Easy access** front panel controls
- **BNC connectors** for loop through of multiple monitors
- **UL, FCC, and CSA listed** for 120 V models
- **4:3 aspect ratio**
- **Switchable picture size** from 105% to approx. 85%
- **Composite Input** compatible with any EIA standard RS-170 input (0.5 - 2 V p-p)
- **Differential Input Amplifier** provides increased common mode rejection better than 40 dB up to 6 V p-p
- **Switchable Power Supply** for 110/220/240 V operation; 50/60 Hz 525/60 NTSC and 625/50 CCIR scan operations



Cohu offers a range of monitors to fit nearly every CCTV application, including 9" and 12" models, shown.

MOUNTING ACCESSORIES

9609C/RBL or RBR

Rack mounting kit for 9609 monitors to fit standard EIA equipment rack. Holds one 9609C or two side by side with the blank panel removed. Color: brown. Dimensions: 18.97" (482 mm) W x 8.75" (222 mm) H.



9617C/R

Rack mounting kit for one 9617C monitor, with access door at bottom. Color: brown. Dimensions: 18.97" (482 mm) W x 15.74" (400 mm) H.



9615C/R

Rack mounting kit for one 9615C monitor. Model 1915/R places access door at right (shown). Color: Brown. Dimensions: 18.97" (482 mm) W x 12.20" (310 mm) H.



9617C/YC or 9623C/YC

Ceiling mount for suspended 9617C and 9623C monitors. Fits standard 1.5" steel pipe and fittings (not included). Comes complete with mounting studs and allows monitor to tilt to desired angle. Color: black.



9617C/YW or 9623C/YW

Wall mount bracket for use with 9617C and 9623C monitors. Color: black.

COHU
Cohu, Inc./Electronics Division

9" AND 12" HIGH RESOLUTION MONOCHROME MONITORS

Maximum Resolution

1050 TV lines at 31.5 KHz
1024 pixels at 36 KHz

Bandwidth

30 MHz -3 dB @ 25 V

Horizontal Frequency

15.5 - 40.0 KHz

Vertical Frequency

40-90 Hz

Power

90-264 VAC, 50/60 Hz

User Controls

On/Off
Horizontal Centering
Vertical Centering
Brightness
Contrast
Vertical Linearity
Vertical Size
Horizontal Size
Focus
Sub-brightness

Interfaces

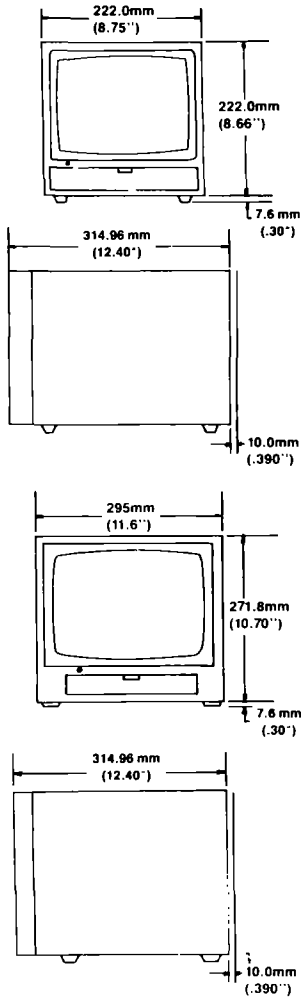
1. One BNC input, 75 ohm terminated
2. Two BNC inputs, with loophrough, A/B switchable from front panel.

Weight

9": 12 lb. (5.45 kg)
12": 19 lb. (8.64 kg)

Dimensions

As illustrated



15" AND 17" HIGH RESOLUTION MONOCHROME MONITORS

Maximum Resolution

1000 TV lines at center
800 TV lines at corner

Bandwidth

30 MHz

Horizontal Frequency

15.5 - 16 KHz

Vertical Frequency

50-70 Hz

Power

90-270 VAC, 50/60 Hz

User Controls

On/Off
Horizontal Centering
Vertical Centering
Brightness
Contrast
Vertical Size
VTR Switch
A/B Switch

Interfaces

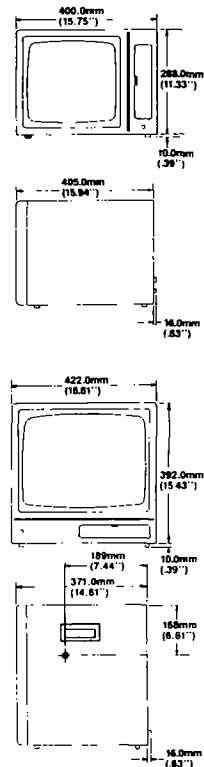
A/B BNC inputs, with loophrough, auto terminating

Weight

15": 10.8 lb. (4 kg)
17": 37.5 lb. (17 kg)

Dimensions

As illustrated



23" HIGH RESOLUTION MONOCHROME MONITORS

Maximum Resolution

1000 TV lines at center

Bandwidth

30 MHz

Horizontal Frequency

15 - 40 KHz

Vertical Frequency

45-90 Hz

Power

90-270 VAC, 50/60 Hz

User Controls

Same as above

Interfaces

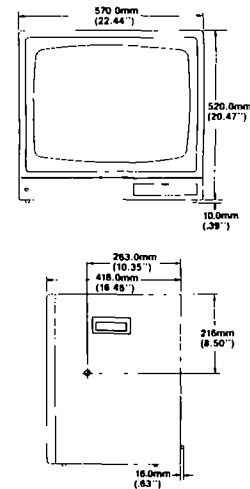
A/B BNC inputs, with loophrough, auto terminating

Weight

66 lb. (30 kg)

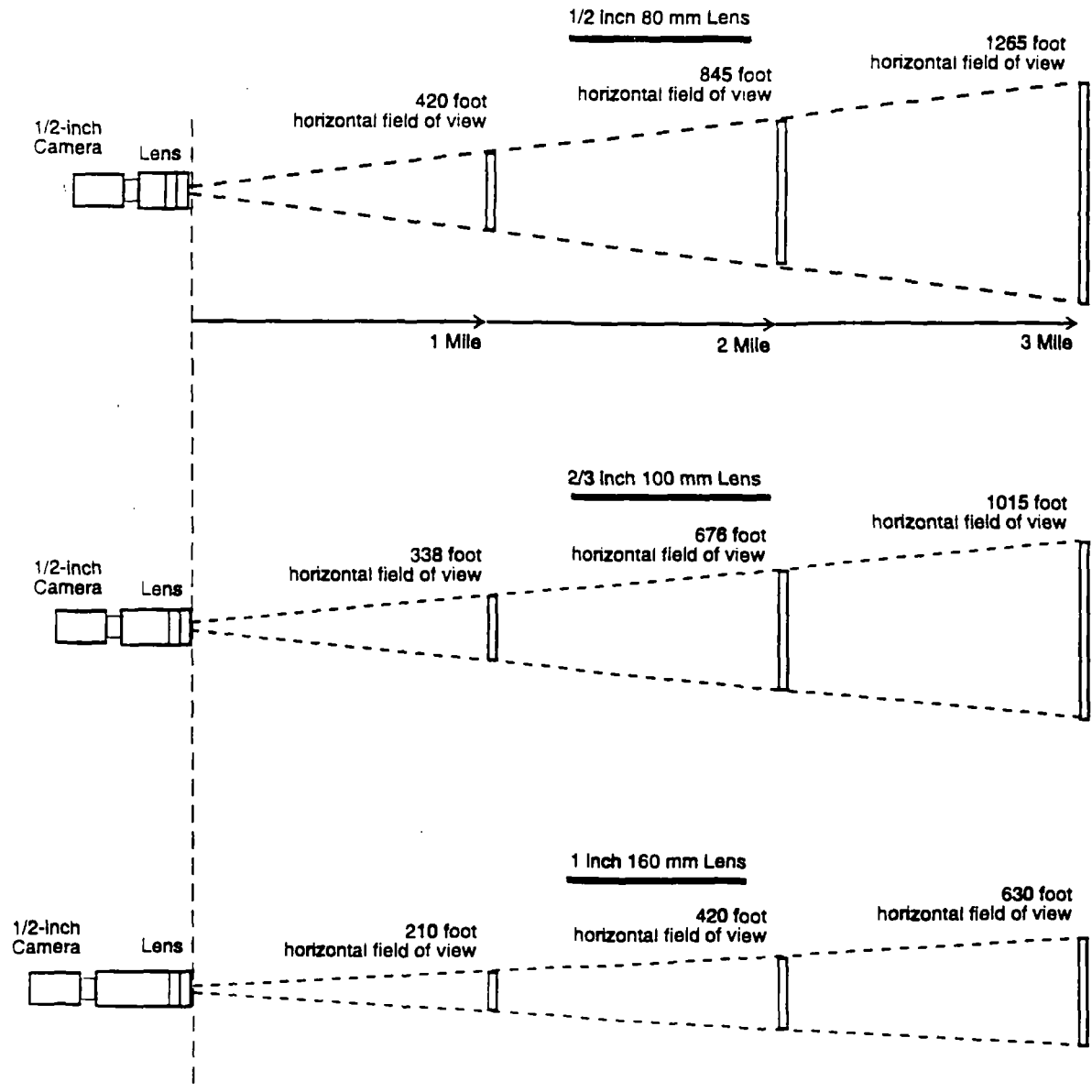
Dimensions

As illustrated



ORDERING INFORMATION

96	XXC /	X	
9600 C Series	09 9" Tube	C	Mounted in standard cabinet
	12 12" Tube	R	19" rack mount assembly
	15 15" Tube	2R	Dual rack mount for 9" monitor
	17 17" Tube	RBL	Rackmount with blank left panel
	23 23" Tube	RBR	Rackmount with blank right panel
		YC	Yoke mount for ceiling installation (17" and 23" only)
		YW	Yoke mount for wall installation (17" and 23" only)



Horizontal fields of view, using three different lenses, at three distances.

Security System Sees Color In The Dark

SUMMARY: There are many video systems that see in the dark. Here's a low-cost system that does it in color.

By Glen Southworth

• THE COMBINATION of a single-chip color TV camera, timer, and solid state memory have made possible a 1,000-to-one improvement in the ability to see color images at very low light levels.

Applying a technique long used in astronomy, that of making time exposures through the use of special television camera tubes, a new generation of CCTV cameras have made low-cost video systems with exceptional sensitivity practical.

The secret is in allowing the light entering the camera lens to build up a charge on the camera sensor over an extended period of time, as opposed to continually scanning and destroying the charge image at a rate of 30 times per second, as is the case in normal operation. By delaying the scanning process for a number of frames, the sensor charge will continue to build up and deliver a dramatic increase in sensitivity.

This process is very similar to making time exposures with photographic film, and has much the same limitations in that the subject viewed by either type of camera must be stationary and that care must be taken to avoid overexposure.

A major difference, however, is that, in the case of the television system, the time-exposure readout consists of a single field or frame of video with the need for a means of capturing and displaying the brief image produced.

A frame counter can be incorporated into a high-quality solid state video memory and be used to control the interval during which the camera sensor remains unscanned. At the end of a preset time, the sensor readout signal is released and the resulting single

field or frame of video is scanned out. At the same time scanning commences, a high-speed analog-to-digital converter digitizes the image from the camera. From there it is stored in a Colorado Video Model 440 memory for continuous viewing.

An example of the effectiveness of such a system is shown in the nighttime photograph, which is an off-the-screen shot (which accounts for the scanning lines and the soft-appearing resolution) of a time exposure captured by a single-chip COHU model 8215 color camera. Obviously, if the video camera had been a two- or three-chip low-light camera, the picture would have been even better. The system described here, however, can be put together for less than \$5,000.

The exposure time was set at 34 seconds with a lens opening of f1.8. The scene was shot at approximately 10:15 PM on a cloudy evening, with the only unnatural illumination being a small light bulb about 120 feet to the right of Santa.

A striking aspect of this video system arrangement is the ability to reproduce vivid color images under conditions where a human observer would see only a dim black and white picture. This technique also allows detection of faint fluorescence in biological specimens, rocks, or other materials when illuminated by ultraviolet light. This takes the camera's greatly improved sensitivity almost into infrared capabilities.

CONTACT: InfoCard #80, Glen Southworth, Colorado Video, Box 928, Boulder, CO 80306; (303) 530-9580; Fax: (303) 530-9569.



Screen shot of a nighttime photograph captured by a single-chip COHU color camera at 10:15 at night, with the only light being a small bulb placed approximately 120 feet away from Santa.

A striking aspect of this video system arrangement is the ability to reproduce vivid color images under conditions where a human observer would see only a dim black and white picture.

DEVELOPMENT OF A LOW-COST, MODULAR, WIRELESS COLOR TELEVISION SYSTEM FOR NUCLEAR RADIATION ENVIRONMENT

Nabin C. Panda
 Cohu, Inc./Electronics Division
 San Diego, CA USA

ABSTRACT

The system developed is an enhancement of an existing video system for process control and observation. It was developed to work within a nuclear radiation environment to identify locations and volumes of accumulated in-cell solids and to inspect the interior and exterior of the process vessel. It also performs remote integrity assessments of tanks and pipes routings that are required by regulatory agencies. System highlights are: operation in a highly radioactive environment; microwave transmission of video and control signals; low cost; low maintenance; and; modular design to enable future enhancements. Microwave transmission resolves the complications of a wired system while increasing reliability and safety. The video image is transmitted via microwave out of the cell to TV monitors at consoles in non-radiation zones.

INTRODUCTION

This remote TV inspection system has been developed as an enhancement to an earlier modular unit serving the same general purpose.

The previous systems were designed and shipped by Cohu, Inc./Electronics Division and Broadcast Microwave Services (BMS), and are

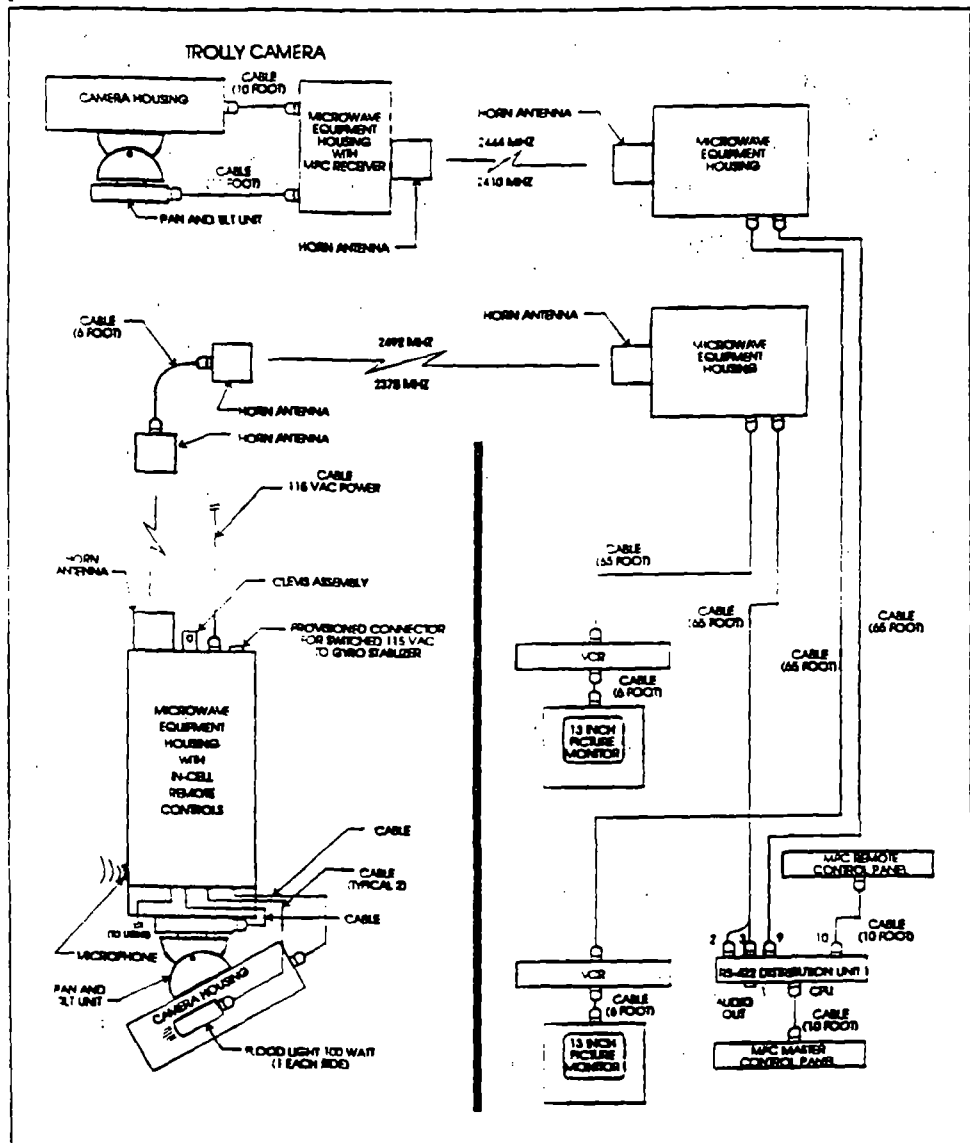


Figure 1

primarily used as a process observation tool for identifying locations and volume of accumulated in-cell solids. Due to the modular design of the basic unit, new modules are interaced to the basic unit to add additional capability for the process vessel interior/exterior inspection tasks. The new accessory module will allow insertion of the camera into 3" (75 mm) (ID) vertical process nozzles. The accessory is a 20' (6 m) stainless steel tube, consisting of four hinged sections, with a tilting TV camera and light assembly at the end of the tube. The accessory's flexible hinged sections will allow it to pass through congested piping arrangements before reaching the process vessel nozzle. The accessory will be attached to

unit. These signals are relayed through the passive horn antenna assembly. The in-cell unit hangs from a cable. The pan/tilt unit is bottom mounted, allowing the camera and light a full range of movement for observation.

The accessory described above is attached to the pan/tilt mechanism of the in-cell unit. **Figures 5 through 9** show the accessory for the process interior/exterior vessel inspection.

Remotely controlled functions are pan, tilt, zoom, camera on/off, light on/off, auto/manual white balance, and an auxiliary function for control of a film-camera shutter. The reserve capacity of the system allows for other functions to be controlled, too.

MODULAR DESIGN

The system is packaged largely from modules selected from standard catalog equipment. Primary components are a Cohu Color CCD Camera and microwave equipment supplied by the sister division of Cohu Inc., Broadcast Microwave Services (BMS).

Other components include various standard lens combinations packaged inside radiation shielded housings, a remotely controlled pan/tilt unit, a standard microwave transmitter/receiver, and other signal processing equipment for the telemetry control and video

signals.

The accessory module consists of a 20' (6 m) long, four-section, stainless steel hinged assembly, measuring 1.5" (38 mm) outer diameter (OD), with a tilting housing at the end. On this housing is mounted a 2.5" (64 mm) OD remote head camera and lights.

Figure 2 shows the major components of the original video inspection system: microprocessor control panel, in-cell unit, and top-side unit. **Figure 3** shows the accessory module interface to the original in-cell camera. **Figures 4 through 6** show the complete vessel interior camera with tilting camera and light head.

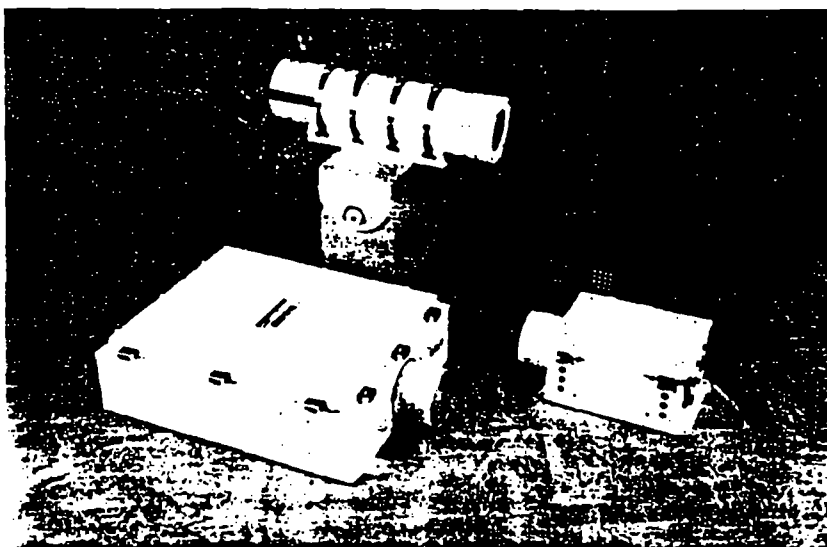


Figure 2

the original pan/tilt assembly with the tilt function disabled. The tilting of the camera head at the end of the tube is accomplished by a tilt motor mechanism at the camera end and is capable of tilting the camera head section $\pm 95^\circ$ from vertical.

Assembled from standard and modified standard components, the system creates a previously unavailable microwave-linked remote-control TV inspection system. **Figure 1** shows the three major equipment groups of the original system without the accessory. At the top-side operator's location are the control panel, TV monitor, and video receiver unit with its microwave horn antenna. It receives video from and also sends control telemetry to the in-cell

WIRELESS TRANSMISSION

Microwave transmission solves the complications inherent in a wired system while also increasing reliability and safety in the hazardous environment. Video images generated by the remote color TV camera are transmitted by microwave to TV monitors in non-radiation zone consoles and office spaces.

The in-cell unit includes a video transmitter, a telemetry receiver, horn antenna, diplex coupler, power supply, and interconnecting cables. All components mount in a standard environmentally sealed aluminum enclosure modified to meet system requirements.

The top-side video receiving unit consists of a video receiver, diplexer, FSK modem, telemetry transmitter, horn antenna, and 115 V ac to 28 V dc power supply mounted in a sealed enclosure.

Signals are relayed via back-to-back microwave horn antennas that target the radio frequency signals.

RADIOACTIVE ENVIRONMENT

The camera unit is designed to operate in a radiation field of 2×10^8 rad cumulative dose (with occasional exposure to 200 rad/hr to 1,000 rad/hour). To provide radiation shielding, the camera head and lens are housed in a sealed aluminum housing containing lead-shielding. The housing is constructed from 6061-T6 aluminum tubing with 4.5 inch (114 mm) outside diameter and 0.25 inch (6.4 mm) wall thickness. It has a 0.23 inch (5.8 mm) optical-quality glass window.

Inside the housing, the camera head is shielded by 0.25 inch (6.4 mm) of lead. Special radiation tolerant materials are used for various gaskets and seals in the environmental housing.

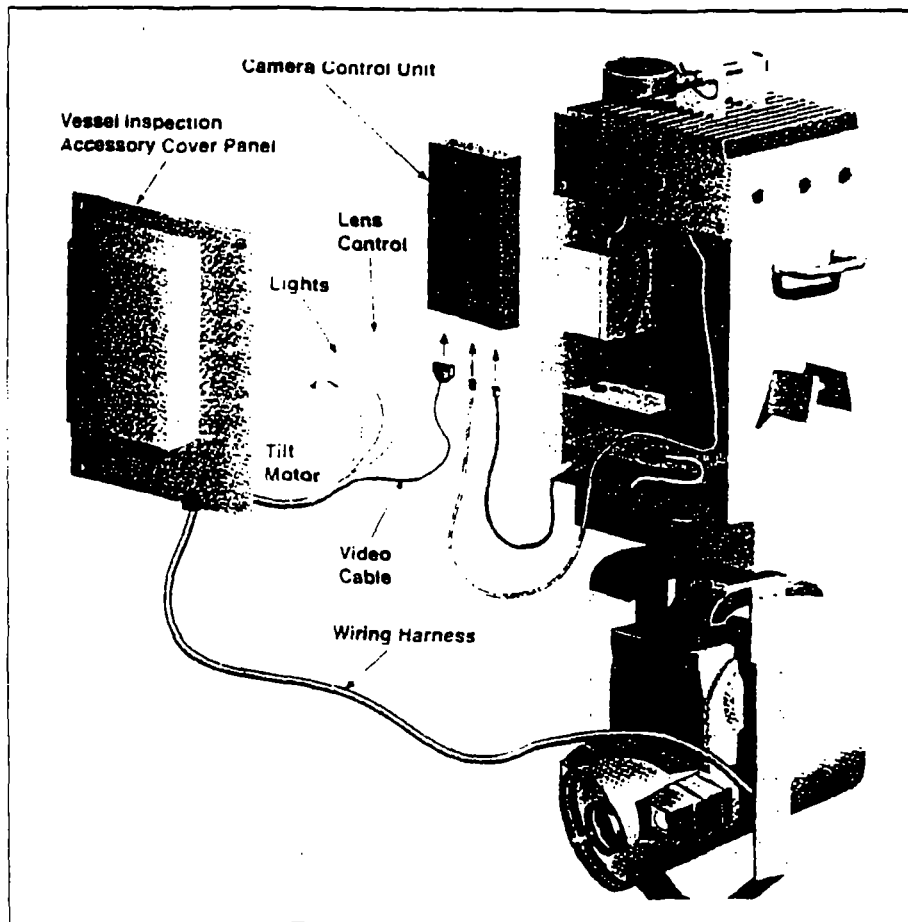


Figure 3

ACCESSORY MODULE FOR VESSEL INTERIOR INSPECTION CAMERA SYSTEM (VIICS)

The following is a description of the accessory module for the Vessel Interior Inspection Camera System (VIICS) Figures 3 through 6. With minor modification to the original in-cell inspection camera system, the VIICS will attach and detach easily and provide video of the process vessel interior and exterior.

Vessel Inspection Accessory Cover Panel Assembly: The vessel inspection accessory cover panel assembly (figure 3) contains the new camera control unit (CCU). The cover panel is compatible

with the original in-cell inspection camera when is desirable to detach the accessory and use only the in-cell camera.

Vessel Interior Inspection Camera System (VIICS): The VIICS Assembly is attached to the original in-cell inspection camera system pan/tilt unit (figure 3). The VIICS assembly is folded into position (figure 4) for storage after disconnecting from the original in-cell inspection camera

system pan/tilt unit. The VIICS accessory camera head is shown in figures 5 & 6.

The VIICS camera head assembly is a Cohu model 8280, consisting of a color video camera and auto iris lens, lead shielded housing, two (2) nuclear-grade sealed halogen lights, radiation resistant window glass, and necessary cables and connectors.

The housing end has a rounded centering aide to facilitate easy passage through congested piping arrangements. The centering aide is designed such that it will be at the bottom of the video display and will remain at the bottom during all tilt evolution. The lights provide a minimum of 50% video at a distance of 10' (3 m) with no thermal complications.

The original system to which the above accessory is attached consists of these components: Cohu 6800 series two-piece solid-state color camera;

Cohu Micro Processor Control (MPC) master control unit; 6061-T6 aluminum housing for remote unit; 12 V dc power supply; 15 V ac 13-inch color monitor; 15 V ac pan/tilt unit; 150 W, 20 lumens/watt environmentally sealed light and mating assembly; sealed and lead-shielded housing for remote camera head; Zoom lenses and auto iris lenses; Housing for external crane cab unit enclosing telemetry transmitter, video receiver, horn antenna, diplexer, 115 V ac to 28

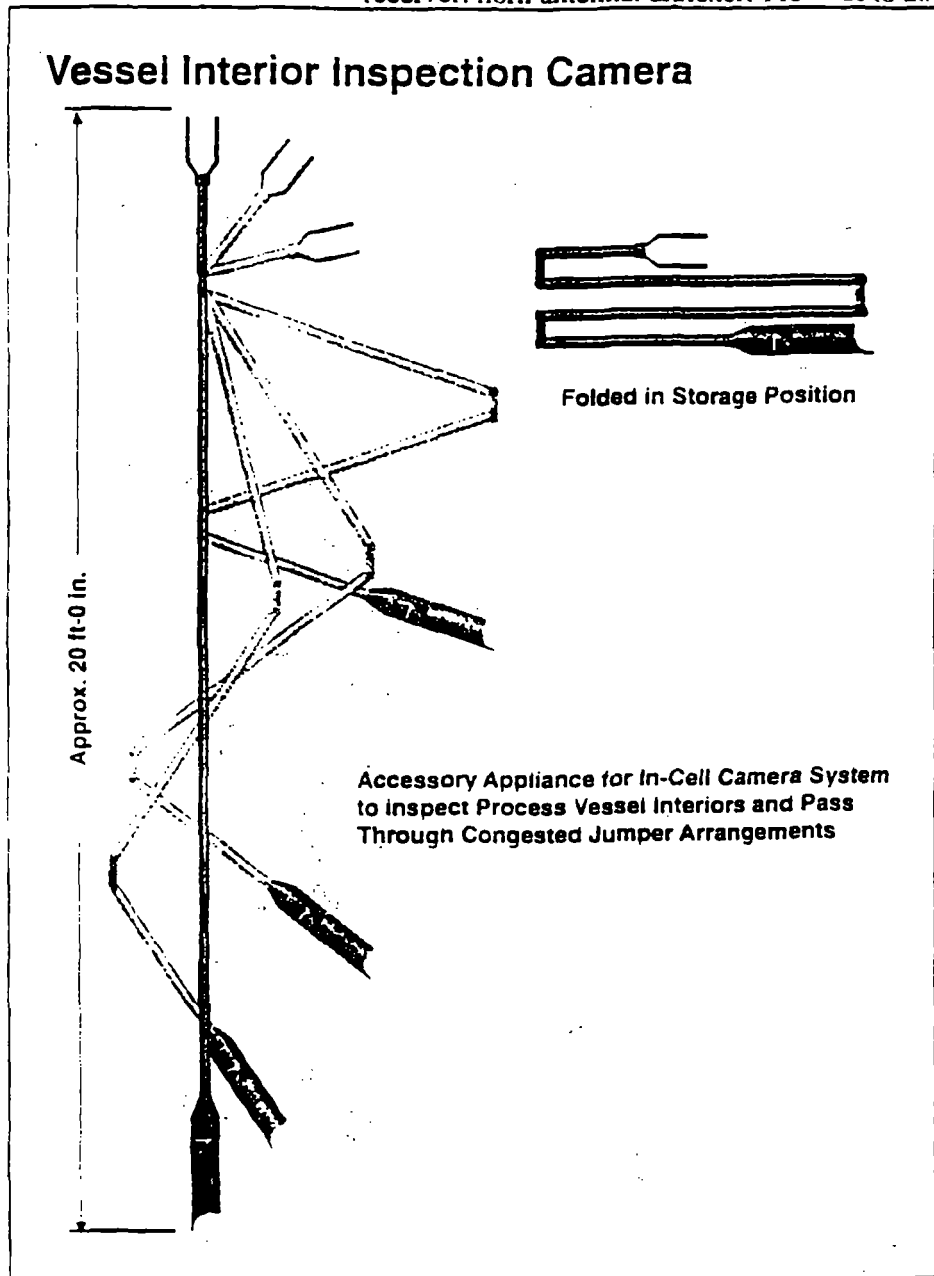


Figure 4

V dc power supply, and FSK modem; Environmentally sealed aluminum enclosure for in-cell video transmitting unit enclosing video transmitter, telemetry receiver, diplexer, pan/tilt board, 115 V ac to 28 V dc power supply, camera control, and MPC power supply; Video receiver 2450 MHz, BMS model BMR-50; Horn Antenna, BMS model BMA-10H; Telemetry transmitter, BMS model TBT-50-TL; Video Transmitter, BMS model TBT-50-VS; Telemetry Receiver, BMS model BMR-50-TL; BMS FSK Modem; Diplex Coupler, BMS model TDS-100; 115 V ac to 28 V dc power supply; Custom modified interconnection cables for video, RF and power.

REMOTE HEAD COLOR CAMERA

The Cohu compact, rugged 6800 Series camera consists of the remote camera head with integral 15-foot (4.6 m) control cable and the camera control unit (CCU). The CCU was mounted separately in a sealed enclosure with the power supply and microwave components of

the system. The assembly containing the camera head and lens can be replaced without the necessity for any adjustments. This offers an easy method of changing to a different type lens when required.

PAN/TILT UNIT

The mini pan/tilt mechanism is a standard product that was specifically modified to accommodate the lighter, smaller new-generation cameras. The camera head housing and supplemental light mount next to each other on the pan/tilt unit moving platform.

SUPPLEMENTAL LIGHT

The supplemental light is an off-the-shelf unit designed for applications such as inspection, workbench illumination, and TV lighting. The light has a broad uniform color-balanced beam pattern ideal for color TV and photographic applications.

HORN ANTENNA

The Horn antenna is a standard BMS model BMA-10H. This is a circularly-polarized horn constructed with micro strip techniques.

The gain of the horn is a nominal 10 dB at 2 GHz with 30 degree beam width. With reflector attached to the horn, gain is 16 dB with 20 degree of beam width. Isolation between feeds is 25 dB, minimum.

TELEMETRY

TRANSMITTER

The BMS model TBT-50 telemetry transmitter is a portable remote controlled transmitter available with operation at any frequency between 2 and 2.5 GHz. Power output is selectable from 2 to 12 watts. For this system the selected power output is 5 watts.

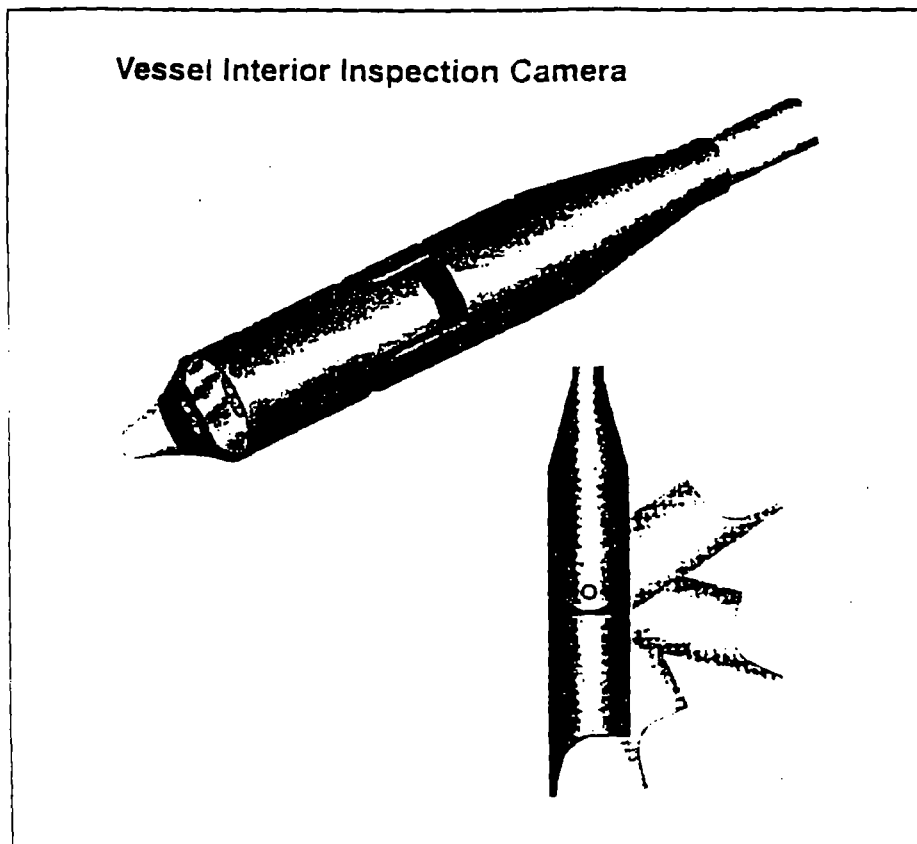


Figure 5

TELEMETRY RECEIVER

This BMS model BMR-50 is a standard-product single-channel receiver designed to receive and demodulate television broadcast signals at any designated operating frequency between 2 and 2.5 GHz. The receiver provides a standard video signal output and two independent audio outputs. An internal frequency-lock light indicates on-frequency conditions.

CONCLUSION

Although the system was developed for a specific application at Westinghouse Hanford in a high radiation environment, its adaptability for other uses at nuclear plants with similar requirements easily could be achieved. The low-cost modular design using off-the-shelf components provides relative ease in modifying the system.

Vessel Interior Inspection Camera To Pass Through 3" ID Vertical Ports

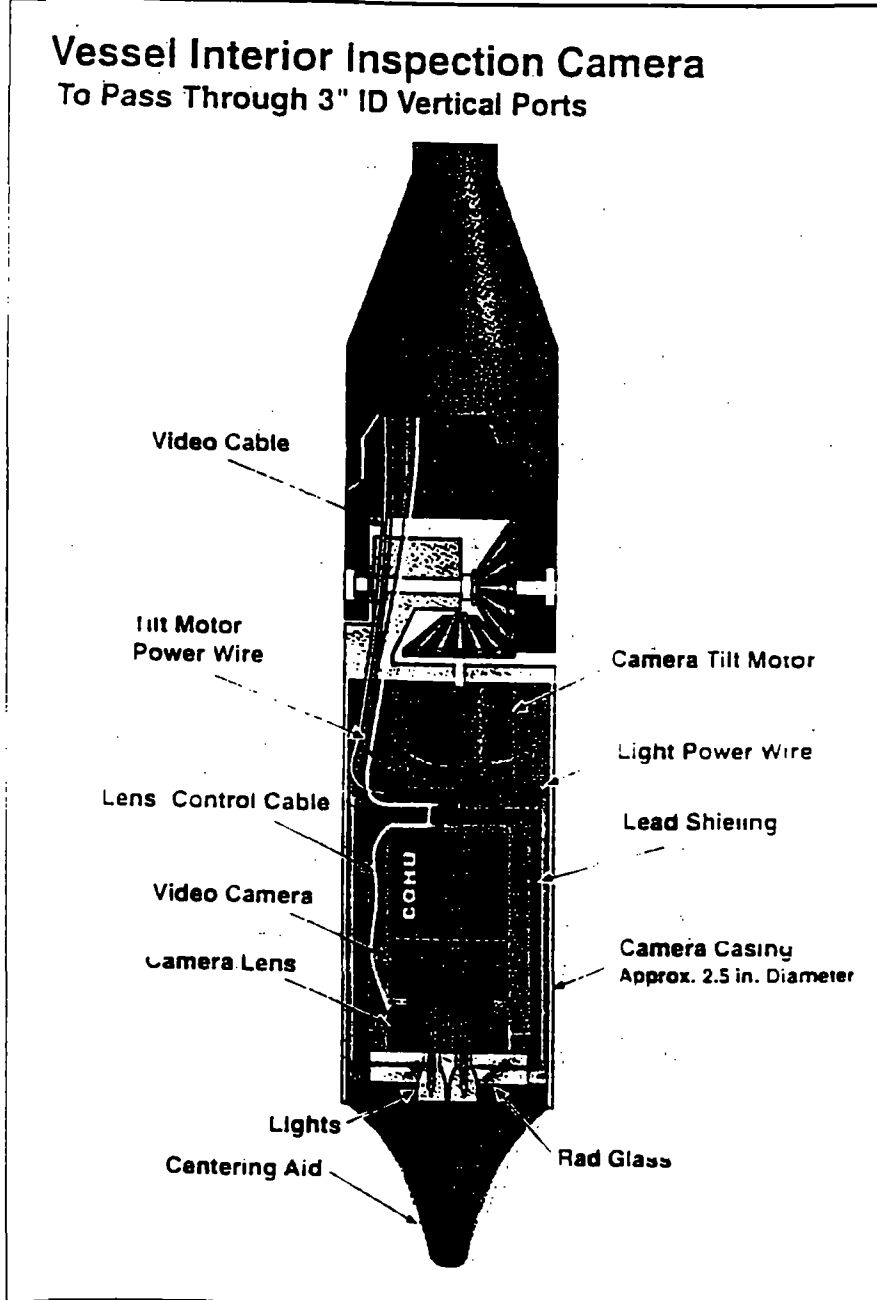


Figure 6

APPRECIATION

The author wishes to thank Westinghouse-Hanford for allowing the use of system details for this paper. The author is grateful to the following persons of Cohu Inc., Electronics Division, for their help in coordinating, editing, reviewing, and preparing the final draft for this paper: Gary Holmes of Publications; Jim Walrod and Eric Hilsen of Engineering; and Ronn Rohe of Marketing.

REFERENCES

1. Westinghouse Document No. WHC-S-043. REV. 2.1990.
2. Cohu Inc./Electronics Division. Broadcast Microwave Systems (BMS) Division. Standard parts Catalog.

Video Sensors: Picking a Solid-State Sensor Technology Depends on the Application

Joe Barrett
Cohu, Inc., Electronics Div.

Understanding the technology and capability of image sensors and video cameras allows identifying appropriate device solutions for measurement applications. This article examines CCD video camera technologies (frame, interline, progressive scan and charge-injection device) from an operational viewpoint.

The application of video in measurement solutions increases yearly. Understanding the features and benefits associated with video cameras allows a user to select the best technology to achieve the desired result.

Charge-coupled devices (CCDs) are two-dimensional fixed-geometry area arrays of photosites. Array sizes that are available for production-line applications (vs. scientific measurement) typically have 244, 485 and 1000 vertical lines of resolution. Each line has a specific number (typically 510, 768 or 1000) of pixels (picture elements). The greater the pixel count in each line, the higher the horizontal resolution.

Photons striking the silicon pixel generate a charge. This voltage level is referred to as a charge packet. The difference between sensor technologies is the method of construction and the path by which charge pack-

ets are transferred from the active array of the sensor chip to the camera circuits.

Frame transfer

A frame-transfer sensor may contain a field or a full frame of pixels on the active imaging area. A second array, called the storage register, also contains either a field or full frame of pixels. As photons strike the active array, a charge potential of electrons is built up in the pixel well. Clocking transfer pulses move the charge packets from the active register to the storage register (Figure 1). The time required to transfer the image from the active array to the storage register is dependent upon array size and clock speed.

A disadvantage of this transfer technique occurs when bright highlights are present. As each line of pixels moves through a bright point, the value of that pixel is altered. In an extreme case, streaking appears as a white vertical line.

The advantage of frame-transfer technology is near-100-percent fill factor: the ratio of active array area to total array area. In addition, these sensors incorporate a thicker surface substrate on each pixel, allowing their spectral response to extend into the near-infrared region (1100 nm).

Laser applications requiring a wide range of spectral response from 400 to 1100 nm are appropriate for this technology.

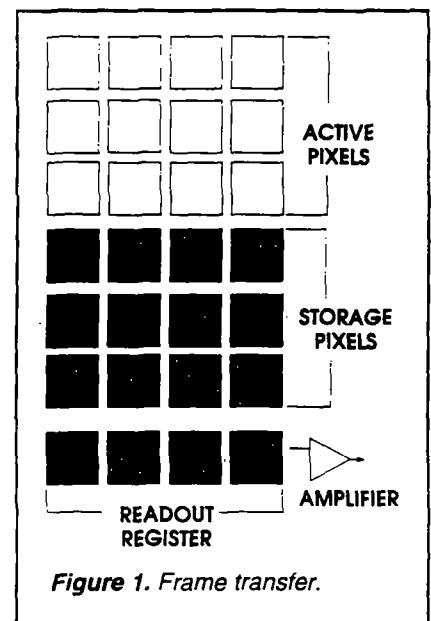


Figure 1. Frame transfer.

Progressive scan

In this technology, the lines of video on the sensor are read sequentially, rather than alternately.

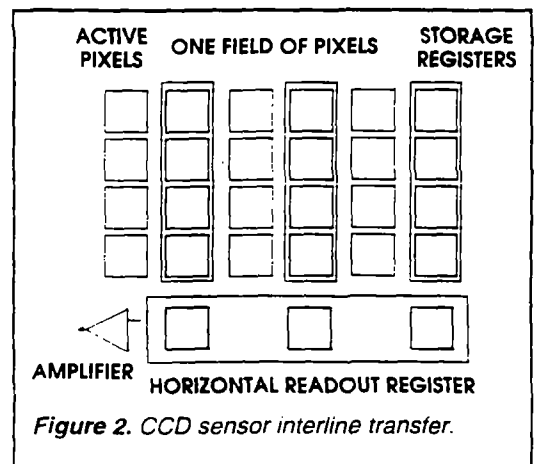


Figure 2. CCD sensor interline transfer.

as in interlaced cameras. The problem with interlaced cameras is that an object that is moving through the field of view will change positions between field 1 and field 2 relative to its speed of travel during the 16-ms time period. This movement can produce a blurred image.

Progressive-scan cameras such as those using the Eastman Kodak KAI-0370 Interline sensor can solve the problem. However, few monitors are available to directly view progressive scan, and progressive-scan output has not been standardized, so additional consideration is necessary when selecting hardware.

This is a high-cost solution (about \$1400), which is appropriate in machine-vision applications requiring a full frame of vertical resolution per integration period.

Interline transfer

The interline-transfer sensor's active pixel area and storage register are both contained within the active imaging area (Figure 2), and the active array of this device contains a full frame of pixels (494). Each column of active pixels is separated by a column of storage elements that can store one field. This configuration reduces size and cost in manufacturing the sensor but limits the ability to acquire full-frame vertical resolution, so a strobe or electro-optical/mechanical shutter is necessary for high-speed production lines.

Interline technology offers several advantages. The transfer of charge packets from active image pixels to the storage register happens in a fraction (6.5 μ s) of the time required by frame transfer, reducing the probability of highlight smearing. In addition, an effective antiblooming gate inhibits charges spilling over to adjacent pixels.

The disadvantages of this technology are that its spectral response peaks at 550 nm and falls off sharply before reaching the near-infrared region, and its fill factor is only about 35 percent. Placing microlenses above each pixel to focus the light onto the active portion of the sen-

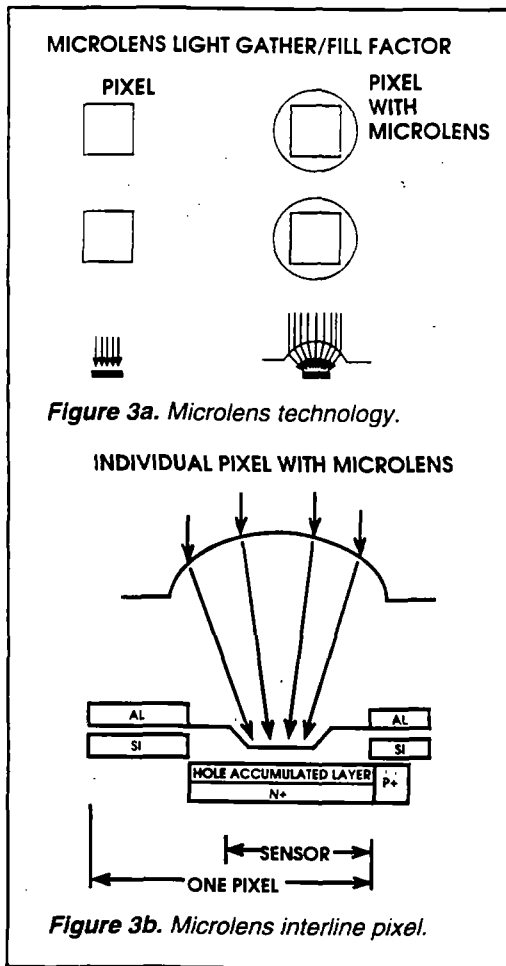


Figure 3a. Microlens technology.

Figure 3b. Microlens interline pixel.

sor raises the fill factor to 70 percent or more (Figure 3). This increases the light accumulating on the sensor by a factor of two.

This low-cost solution (about \$800) is ideal for fluorescence microscopy and applications requiring extended integration (multiple frames) for additional sensitivity, or for asynchronous capture of random events.

Charge-injection devices

The development of charge-injection devices (CIDs) focused on two features that were not available with CCDs: addressable pixels and nondestructive readout. The CID imager

allows users to select individual pixels by accessing row and column electrodes (Figure 4).

Nondestructive read is achieved when the charge potential is shifted between the electrodes of two capacitors of a single pixel. The difference between the two potentials is representative of the stored signal charge. The sensed potential is converted to a voltage for readout, not shifted to a transfer register.

The user or image-processing algorithm then makes a decision: Either use this value and clear the pixel to prepare for a fresh integration period, or resume collection on top of the previous charge.

This unique feature provides the means to image very bright objects and dim areas within the same scene by reading the highlights before they saturate and allowing additional integration time for dim areas.

This device also has a near-100-percent fill factor and responsiveness out to near-infrared (1100 nm).

Machine vision inspection of glass bottles, where bright light can cause bright reflections, is an ideal use of the antiblooming feature of this technology.

The future

Sensor engineering, manufacturing and quality continuously improve. Smaller-format imagers are fast becoming the norm. Smaller size allows higher yields and lower cost, with additional on-board gain and microlens technology compensating for the smaller pixel size. □

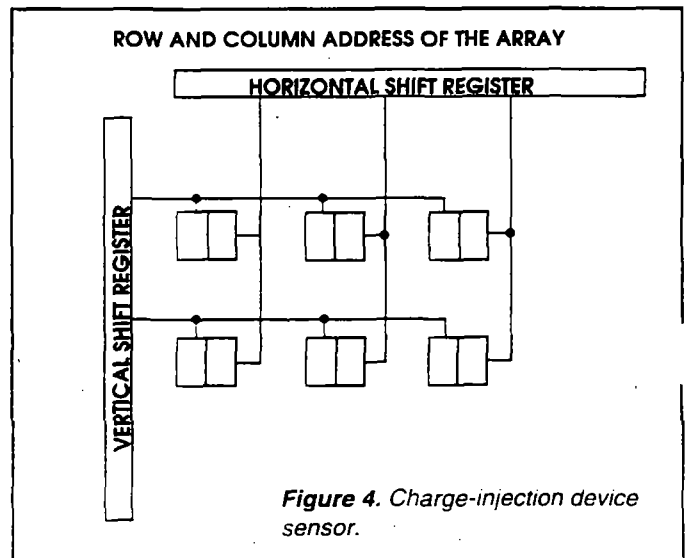


Figure 4. Charge-injection device sensor.

Selecting the Correct Video Camera for Test and Measurement Applications

Joe Barrett

ABSTRACT--Understanding the technology and capability of image sensors and video cameras allows identifying appropriate device solutions for measurement applications. This paper examines CCD video camera technologies (Frame, Interline, Progressive Scan, Charge Injection Device) from an operational view point. Video timing (RS-170) and camera features (resolution, sensitivity, shuttering, integration, asynchronous reset) are presented in a non-engineering format.

The application of video in measurement solutions increases yearly. Understanding the features and benefits associated with video cameras allows a user to select the best technology to achieve the desired result.

The goal of this paper is to deliver specific information on camera technologies that allows making an informed decision on integrating the camera into a vision system. Provided is a basic understanding of television and video cameras for optical measurement applications, including information on costs, design features, and benefits associated with using a video camera as a measurement tool. Advantages/disadvantages of the different technology options will be addressed. Information is presented in an operational/applications format rather than a design/engineering research format.

Topics covered include: television timing, technology of image sensors, including CCD and CID devices, operation of Frame Transfer, Interline Transfer, Progressive Scan and Addressable Arrays; Resolution, Modulation Transfer Function/Aliasing; Signal-to-Noise Ratio and Sensitivity (thermal noise); and Explanation of Basic Camera Variables — Gamma, Black Level, Gain, Sharpness, Integration, and Shuttering. Digital video and emerging camera technologies will close the discussion.

BACKGROUND

CCD image sensors were developed in the early 1970's by Bell Laboratories. The technology has progressively improved, resulting in higher yields, better performance, and lower cost. During the mid 1980's solid state technology surpassed video tubes as the primary means of acquiring video images. Chip size has progressively down-scaled in format from 2/3" to 1/2", and recently 1/3". Better manufacturing methods and innovative

485 ACTIVE LINES PER FRAME

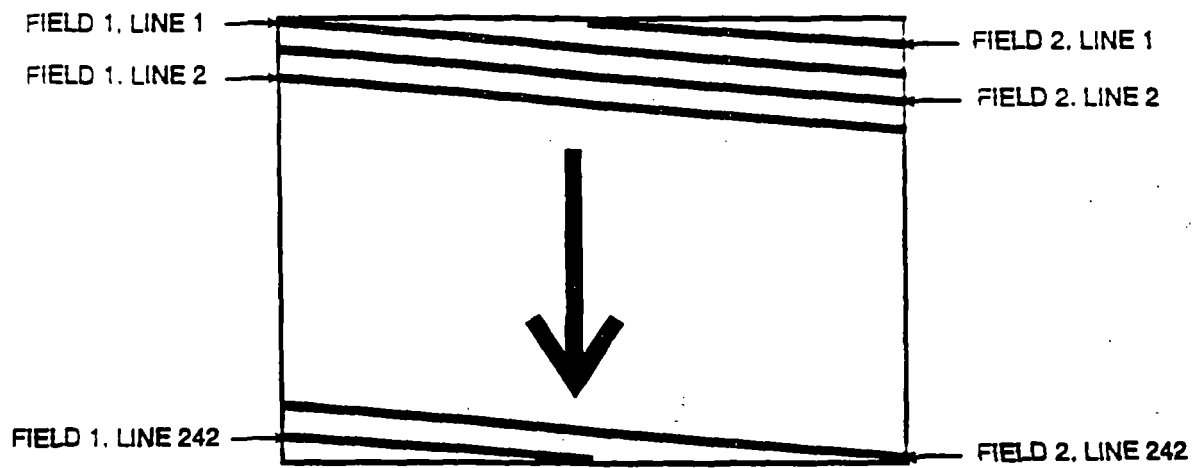


FIGURE 1. MONITOR RASTER

designs are preserving the sensitivity and resolution, as well as improving signal-to-noise ratio.

The basic video system requires an illumination source, scene or object to view, and a lens or point source of light. The sensor will convert photons of light to electrons, the camera electronics develop a signal that is output to a monitor for viewing, or image processing system for analysis.

The television timing format was defined by the EIA (Electronics Industries Association) for the purpose of standardization during the 1950's. This work resulted in television specification RS-170, defining the United States standard (525 line format). Certain technology limitations (transformer flyback time) during those years required greater separation between lines of video information. It takes 33.3ms to create a single frame of video; 20% of this time is consumed with synchronization pulses. If the standard were to be created using today's technology this percentage would be greatly reduce. So why do we chose this format for measurement? The answer lies in the availability of inexpensive hardware, off-the-shelf practical solutions, and adequate performance in image processing measurement applications.

BASIC TELEVISION

Standard television timing (RS-170) was optimized for viewing on a monitor by the human eye. The construction of the image onto the monitor is an interesting and important step in understanding video timing.

The television image is developed on the monitor by scanning an electron beam across the face of a monitor phosphor screen. The beam moves from left to right tracing one line at a time. Each beam trace slopes slightly downward from left to right as it paints a line (figure 1). 262½ lines of video will be completed when the beam reaches the bottom of the screen. The beam is reset to the top and proceeds to trace another 262½ lines in between the previous ones. (If 262½ lines are contained in each field, why are only 242½ shown on the monitor? The remaining 20 lines are consumed with synchronization pulses and do not contain visual information.) This is called 2:1 interlaced video. Field 1 is composed of lines 1, 2, 3, ...262½. Field 2 contains lines 1, 2, 3, ... 262½. Two fields are required to produce a single frame of information ($262\frac{1}{2} \times 2 = 525$ lines). The CCTV industry consensus is to refer to field 1 as the odd field, and field 2 as the even field. This is indexed to the last line in the field. Since field one ends in a half-line it is referred to as the odd field.

Phosphors have a specific decay time from excitation to discharge. This fact, plus the desire to reduce the "flicker effect" (appearance of a monitor flashing), deemed the 2:1 interlace as advantageous. 2:1 interlace was selected because it was the most cost effective method that produced a flicker free image. Another option, progressively scanning all 525 lines in 1/60s would have required twice the bandwidth. The 2:1 interlace solution presents a picture each 1/60s. This greatly reduces the flash effect when compared to updating each picture one 1/30s. This advantage for the human eye is not a benefit in the image processing

BEGINNING OF FIELD 2, END OF FIELD 1

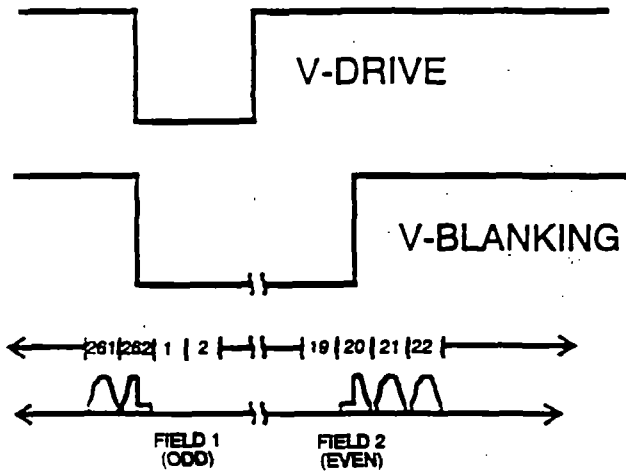


FIGURE 2. VERTICAL INTERVAL, BEGINNING FIELD 2

BEGINNING OF FIELD 1, END OF FIELD 2

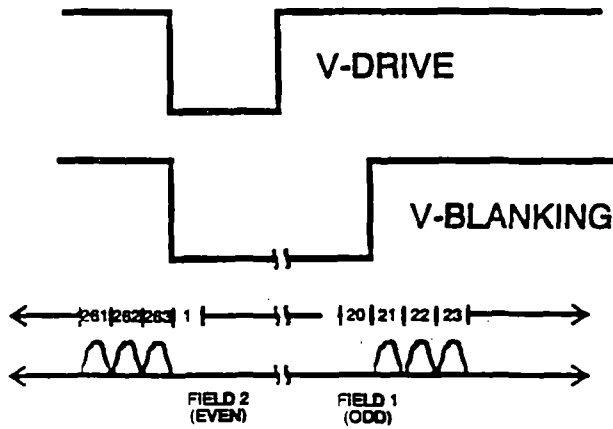


FIGURE 3. VERTICAL INTERVAL, BEGINNING FIELD 1

ONE HORIZONTAL PERIOD

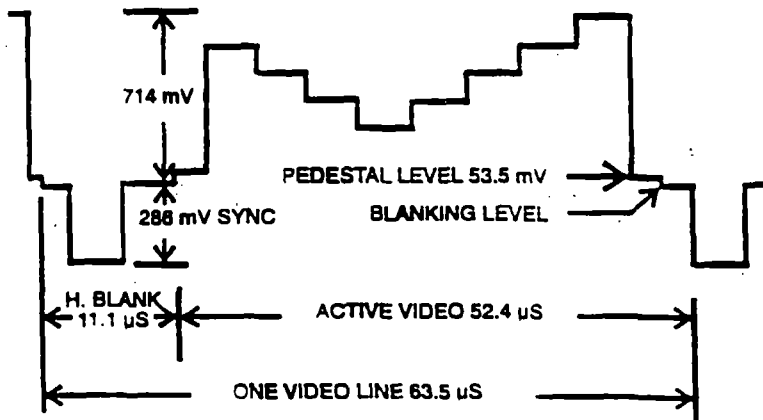


FIGURE 4. VIDEO LINE

environment where each image capture (one field) yields only fifty percent of the vertical information. A field is presented each 1/60s and it takes two fields (one frame) to acquire full vertical resolution. The imaging system's throughput is lowered by a constraint of this standard. Choosing to operate with only one field means the vertical resolution is cut in half (262½ lines), however, if 50% vertical resolution is sufficient, a benefit exists by processing at twice the rate.

TIMING SIGNALS

Video cameras use timing signals at both horizontal (line) and vertical (field) rates. Each vertical interval (1/60s) contains one field of information. Field 1 begins with a line and ends with a half-line (figure 2). Field 2 begins with a half-line and ends with a full line (figure 3). The half lines complete the picture on the top and bottom of the monitor. When referring to the line numbering system, two conditions prevail. If referring to monitor or image processor video, the first line of active video is called line 1. When discussing camera video, line 1 represents the beginning of the vertical interval, and the first line of active video starts at line 21. Twenty lines from each field are consumed by synchronization pulses. A full frame of video — 525 lines — contains 40 lines of synchronization signals. This leaves 485 active lines with video information. Standard 525-line monitors are designed to display these lines on the raster. Higher frame rates (875, 1023, 1125) require special cameras and multi-sync monitors.

Vertical drive is the signal that separates individual fields and is the monitor's indication to return the beam to the top of the raster. Vertical blanking separates active lines of video from one field to the next and is used by the monitor to blank (turn-off) the electron beam during non-video time.

HORIZONTAL RATE (LINE RATE)

The duration of one video line (1 H period) is $63.5\mu\text{s}$ (525 lines occur in 33.3ms, thus $33.3\text{ms} \div 525 = 63.5\mu\text{s}$). Each line is composed of synchronization and active video information (figure 4). 17.5 percent ($11.1\mu\text{s}$) of the line is blanked. This horizontal blanking signal separates the active video of adjacent lines and is used by the monitor to blank the beam during retrace. Horizontal drive separates each line, and in the monitor is the signal that begins retrace. Active video time is equal to the horizontal period ($63.5\mu\text{s}$) minus horizontal blanking ($11.1\mu\text{s}$), or $52.4\mu\text{s}$.

RS-170 VIDEO TIMING

Composite video is the combination of horizontal and vertical synchronization signals and active video information. This is normally provided as an output over a single 75-ohm coaxial cable. The synchronization information allows the receiving device to decode/display the information.

RS-170 timing specifications:

Frame = 33.3ms 525 H Lines 1/30s

Field	= 16.6ms	262.5 H Lines	1/60s
V Blanking	= 1.24ms	20 H Lines	
V Drive	= 666 μ s	10.5 H Lines	
H Line	= 63.5 μ s	15.750 Hz	
Active video	= 52.4 μ s		
H Blanking	= 11.1 μ s		
H Drive	= 6.35 μ s		

VIDEO FORMAT

Outputs are frequently specified in IRE (Institute of Radio Engineers) units. 140 IRE units is equivalent to a 1 Vp-p composite video signal. This is further sub-divided — 100 IRE (714mV) above blanking for active video and 40 IRE (286mV) below blanking for synchronization. A pedestal level is established above blanking at 53.5mV. This establishes a black reference and prevents video information from sinking below blanking. Increases in amplitude represent progressively lighter shades of gray until white is achieved at 714mV.

To determine actual video output in millivolts when given IRE units:

$$\text{mV of Video} = \frac{714\text{mV}}{100 \text{ IRE}} \times \text{IRE Units}$$

Camera manufacturers sometimes specify video output with automatic gain control (AGC) in IRE units (i.e., 80% video with 12dB of AGC).

$$\text{This equates to: } 80 \text{ IRE} \times \frac{714\text{mV}}{100 \text{ IRE}} = 571\text{mV}$$

CCD IMAGE SENSORS

CCD's are two-dimensional fixed geometry area arrays of photosites. The array contains 485 vertical lines, each line having a specific number of pixels (picture elements). The greater the pixel count in each line, the higher the horizontal resolution. The pixels convert light to an electrical charge. Photons striking the silicon pixel generate a charge proportional to the amount of light present during the integration period. This voltage level is referred to as a charge packet. The difference between sensor technologies is determined by the method of construction and the path by which the charge packets are transferred from the active array of the sensor chip to the camera circuits. The efficiency with which charge packets of electrons can be transferred from pixel of origin to the output without loss makes this technology an excellent measurement device.

Clocking of the charge packets contained within the pixels is at a rate sufficient to read a line (52.4 μ s) of pixel information while maintaining RS-170 timing. The greater the number of pixels per line the higher the clock speed. Moving the charge packets out of the

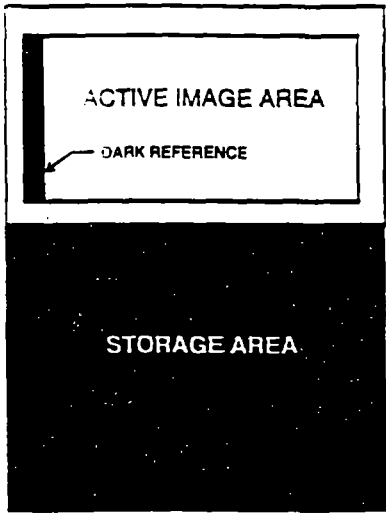


FIGURE 5. CCD SENSOR
FRAME TRANSFER

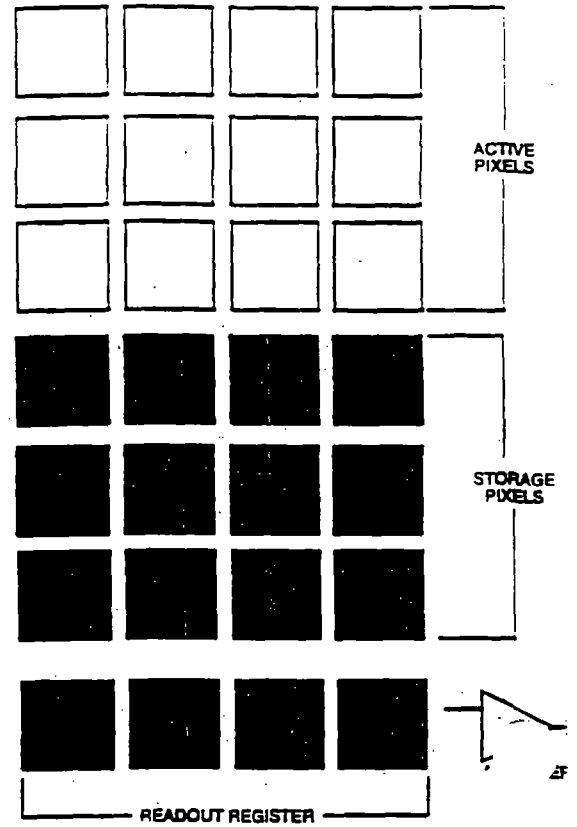


FIGURE 6. FRAME TRANSFER

sensor generates lines of analog information that are read serially one line at a time. The camera circuits will merge the video information with synchronization signals.

DARK SIGNAL

One of the noise characteristics is Dark Signal, which is produced by the image sensor independent of light input. It is a function of all semiconductor devices. Thermal energy causes a release of electron-hole pairs. The Dark Signal is one of the factors limiting the low end of sensitivity and maximum signal-to-noise ratio. Dark signal is random in distribution across the surface of the array and is a function of design and manufacturing tolerances. Typically, Dark Signal doubles for each 9°C increase in temperature. When integrated over time, or subjected to heat, the Dark Signal will increase and become an artifact of the output, observable as fixed pattern noise. The performance of the CCD can be enhanced by thermo-electrically cooling the sensor.

FRAME TRANSFER

RCA pioneered the development of the Frame Transfer CCD in the early 1980's. A Frame Transfer sensor contains two arrays of pixels (figure 5), one for active imaging, and a second to store the field previously collected during the 16ms integration period. Both arrays contain the same number of pixels. The storage register is covered with an opaque material to prevent stray light from changing the contents of any individual pixel during storage or readout. The name "Frame Transfer" seems to suggest that this technology provides complete frames (525 lines) each transfer or integration period. This is not true in most cases. The capacity of most frame transfer sensor storage registers is only one field (243 lines). If a storage register can hold the full 485 lines from the frame, then two fields integrated over an identical period of time can be imaged onto the sensor, stored, and readout.

Operation. As photons strike the silicon, a charge potential of electrons is built up in the pixel well. After 16mSec (one field) of integration, a series of clocking transfer pulses move the charge packets from the active register to the storage register (figure 6). During the vertical interval the active array is used as a shift register, moving each row of stored charges vertically one line at a time from the active area into the storage register. Each line moves down sequentially until the entire field (244 lines of pixels) is contained in the storage register. The time required for this transfer is approximately 180μs (for Texas Instruments TC-241 sensor).

A disadvantage of this transfer technique occurs when bright highlights are present. If a pin-point highlight source is impinging on a single pixel location or cluster of pixels, then as each line of pixels moves through the bright point, the value of that pixel will be altered. In an extreme case, streaking appears as a white vertical line on the monitor. Possible solutions are to inhibit imaging during transfer time with a mechanical shutter, or controlled lighting of the target.

When one field is in the storage register, the next field is being integrated onto the

SINGLE COLUMN OF PIXELS

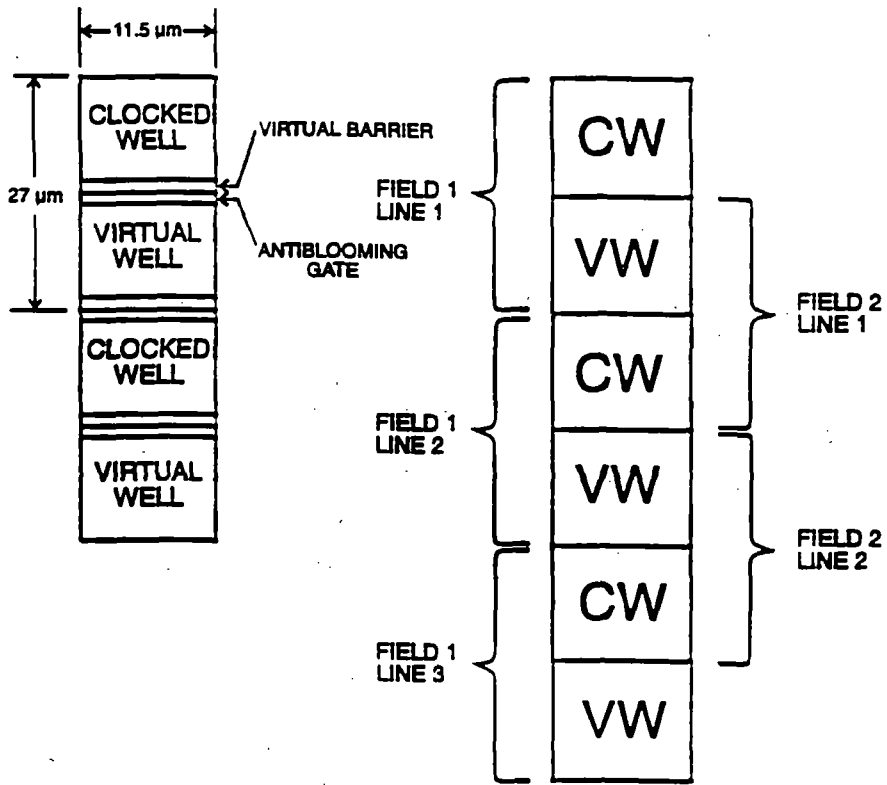


FIGURE 7. FRAME TRANSFER PSEUDO-INTERLACE

active array. The video information in the storage register is clocked into the horizontal readout register one line at a time. The readout rate for 768(H) pixel sensor is 14 Mhz.

The Texas Instruments Frame Transfer chip contains 244 pixels in the vertical direction. This is equivalent to one field. Providing full-frame resolution necessitates an interesting solution called pseudo-interlace. A proprietary technology called Virtual Phase was developed by Texas Instruments to increase the vertical resolution. Each pixel is composed of a Virtual Well and a Clocked Well (figure 7). This divides the pixels in half vertically. Changing the bias voltage to the pixels shifts the centroid by one-half pixel vertically during alternate fields, thus it is possible to increase the vertical resolution. A fifty percent overlap exists vertically between the two fields.

Advantages. Frame Transfer technology exhibits contiguous pixels (near 100% fill factor). Fill factor is the ratio of active area to total area on the surface of the sensor. Each pixel attaches to its neighbor vertically to facilitate the transfer process. Horizontally, thin channel stops separate each pixel to reduce bleed over. Large pixel size increases sensitivity.

The spectral response extends into the near IR region (1100nm). Frame Transfer sensors incorporate a thicker surface substrate on each pixel. The longer wavelengths of light penetrate deeper into the silicon and are still within the well of the pixel generating electrons proportional to the photon input.

The camera can be operated in the non-interlaced mode. The same pixels (no shift) are used for each field. The sensor exhibits 50% less noise under these conditions. Measurement repeatability is then directly tied to the same pixels.

Texas Instruments TC-241.

Picture Elements: 780(H) x 244(V)

Active Picture Elements: 754(H) x 488(V)

Pixel Size: 11.5 μ m(H) x 27 μ m(V)

Dynamic Range: 60dB

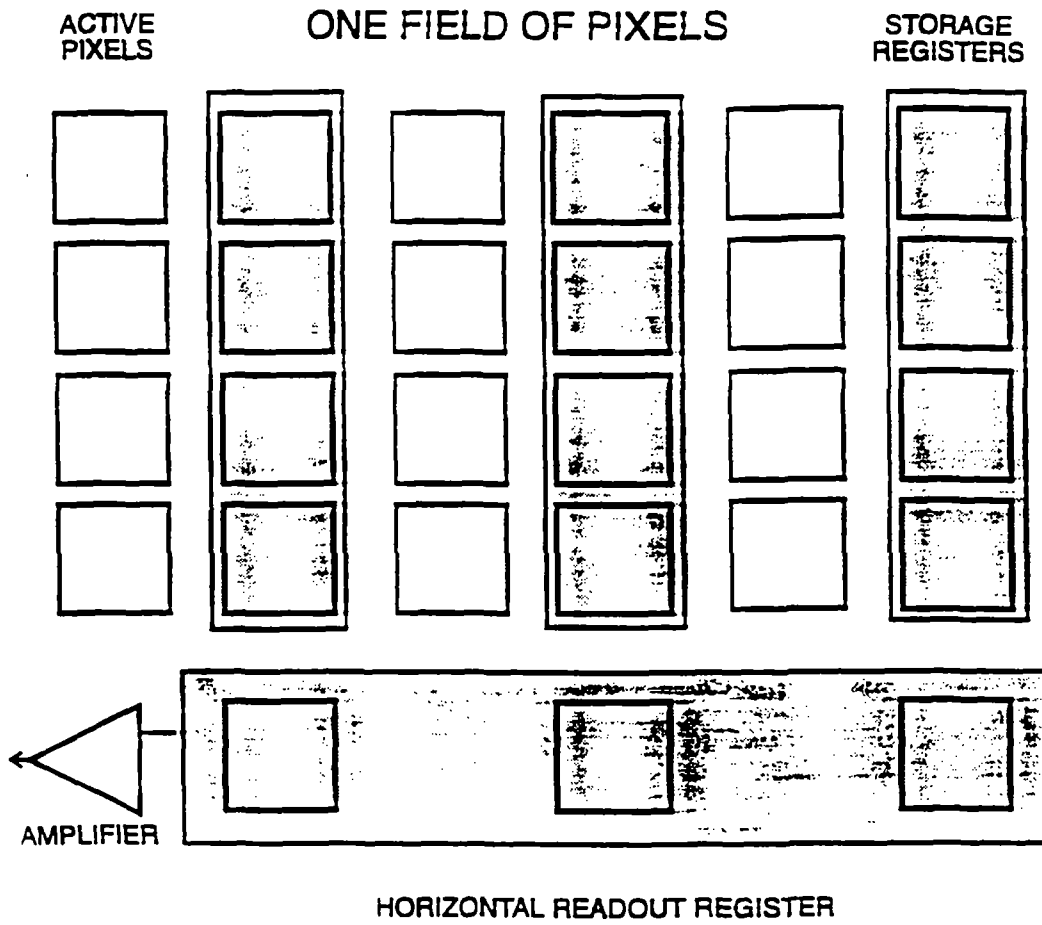
Dark Signal: 20mV @ 45°C

Typical Frame Transfer Camera Cost: \$1,500

PROGRESSIVE SCAN

This technology does not operate to the RS-170 standard of 2 interlaced fields combined to form a single frame. Instead the lines of video on the sensor are read progressively (sequentially), i.e., 1, 2, 3, 4, ... 525.

Full vertical resolution during the same period of integration is advantageous. Interlaced cameras have a separation of 16ms between the two fields. Processing at higher speeds or viewing objects in motion, standard RS-170 cameras deliver 1/2 vertical resolution (one field). An object that is moving through the field of view will change positions between field 1 and field 2 relative to its speed of travel during the 16ms time period. RS-170 2:1



**FIGURE 8. CCD SENSOR
INTERLINE TRANSFER**

interlace will produce a blurred image.

Progressive Scan cameras are suited to answer this application. Presently, few monitors are available to directly view Progressive Scan. Some frame grabber (image processing) equipment accept the sequential image and can convert it to interlaced if viewing on a standard monitor is required. The progressive scan output has not been standardized so additional consideration is necessary when selecting hardware.

Kodak KAI-0370 Interline.

Picture elements: 780 (H) x 489 (V)

Active picture elements: 768 (H) x 484 (V)

Pixel size: 11.6 μ m (h) x 13.6 μ m (V)

Well depth: 60,000 electrons = saturation 600mV

Dynamic Range: 60dB

Dark Signal: 1mV @ 40°C

Typical Progressive Scan Camera Cost: \$1,400

INTERLINE TRANSFER CCD

The Interline Transfer sensor presents a different approach to pixel design, transfer, and readout of the video information. The sensors active pixel area and storage register are both contained within the active imaging area (figure 8). Active imaging pixels are not used as transfer pixels as was the case with Frame Transfer technology. The active array of this device contains a full frame of pixels (494). When viewing the imager, each column of pixels is separated by a column of storage elements that are covered with an opaque material. The storage elements have the capacity to store one field. After completion of the 16ms integration time, the charge packets from each pixel are transferred to the storage register. While the next field is gathering charge, the charge packets in the storage register are clocked to a horizontal output register one line at a time.

A sensor configured with a full frame of active pixels in the light sensitive area and only a field of capacity in the storage array reduces size and cost. It also limits the flexibility to acquire full vertical resolution where both fields are captured during identical integration periods.

The storage register is integral to the active image area. Thus the photon sensitive area of each pixel is smaller in size (relative to Frame Transfer). Less light is accumulated and a greater possibility of aliasing exists if a detail of information in the field of view falls upon the opaque area. The percentage of fill (active image area to total image area) is approximately 35%. The spectral response peaks in the photopic area at 550nm and falls-off sharply before reaching the near IR region.

Advantages. Several advantages are offered with Interline technology. The transfer of charge packets from the active image pixels to the storage register happens in a fraction (5ns) of the time required by Frame Transfer. Thus the probability of highlight smearing is reduced. An effective anti-blooming gate inhibits charges spilling over to adjacent pixels

ONE VERTICAL INTERVAL

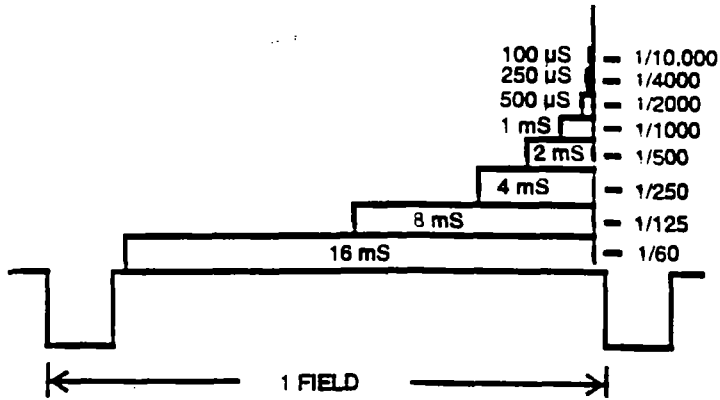


FIGURE 9. INTERLINE CCD SHUTTERING

MICROLENS LIGHT GATHER/FILL-FACTOR

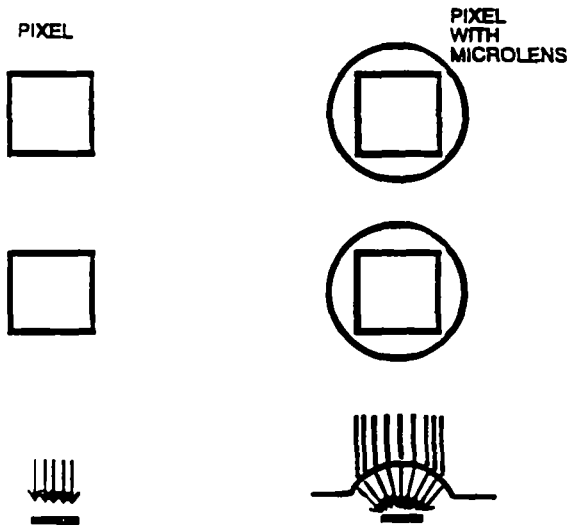


FIGURE 10A. MICROLENS TECHNOLOGY

INDIVIDUAL PIXEL WITH MICROLENS

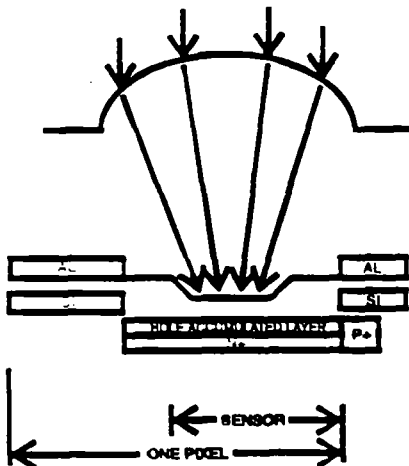


FIGURE 10B. MICROLENS INTERLINE PIXEL

(perceived as blooming). Individual pixels have a lower dark signal and a greater ability to gate away excess charge build-up into the substrate, providing wider dynamic range.

The Sony IXC038 Interline design is shutterable at the pixel level. The Frame Transfer device required $180\mu\text{s}$ to clear the array. Interline clears the contents of each pixel once every $63\mu\text{s}$ (during horizontal blanking). The actual clear time is only a few nanoseconds. During shuttering the active array is cleared each horizontal period until the time remaining in the field equals desired integration time (figure 9), then shuttering ceases, and normal charge accumulation begins.

The shutter mode steps in increments. Each change cuts the light in half as the integration period is halved. Shuttering is accomplished across its full range in 8 steps ($1/60\text{s}$ to $1/10,000\text{s}$). Modifying the camera to externally control the shutter circuit with a TTL pulse provides discrete steps at 242 levels, effectively stepping one line at a time.

A disadvantage of shuttering is the inability to obtain full frame (vertical) resolution. If two fields can be integrated during the same period, effectively stored, and then readout, true full frame resolution is achieved. Since the transfer register is designed to hold and readout only one field at a time, the information contained in the second field remains on the active array and is clocked into the substrate drain during the horizontal blanking period at the beginning of the next field. Clearing of the pixels happens across the entire array, not for selected fields. The inherent characteristics built into the sensor chip structure are the driving factors toward what features are available in cameras.

The interline chip can be asynchronously reset. A reset pulse input will initiate the vertical interval and clearing of the array nine lines ($571\mu\text{s}$) later. If the illumination to the sensor is controlled and/or a strobe is used, it is possible to quickly capture and readout a field of information. Asynchronously resetting the sensor and strobing in coincidence with reset, or before the transfer time (9 lines later), provides a quick capture time to readout ($571\mu\text{s}$ to 16.6ms). The first field begins readout $571\mu\text{s}$ after reset and completes 16.6ms after reset. The second field, still on the active array, follows the first and begins reading out. This operation takes 16.6ms . Acquiring RS-170 full-frame (vertical) resolution requires 33.3ms .

An alternative to asynchronous operation is start-stop mode. By configuring the camera to shutter each H period, pixel charge accumulation will be dumped every $63.5\mu\text{s}$ (H period) until an external control pulse is received. This pulse commands the shutter to cease, and begins active integration. The duration of integration is equal to the pulse width plus 9 H lines. At the conclusion of the input pulse, transfer takes place 9 H later. Field 1 will have integrated for the input pulse width "x" plus $571\mu\text{s}$. Field 2 has integrated for "x" plus $571\mu\text{s}$ plus 16.6ms . The reason field 2 has integrated for an additional vertical interval resides in the limitation of the storage register to hold only one field at a time. In this mode shutter is inhibited for one field after reset to avoid destroying the second field.

A recent development is the addition of micro-lenses placed above each pixel to focus the light onto the active portion of the sensor (figure 10a). Typical Interline sensors have a

ROW AND COLUMN ADDRESS OF THE ARRAY

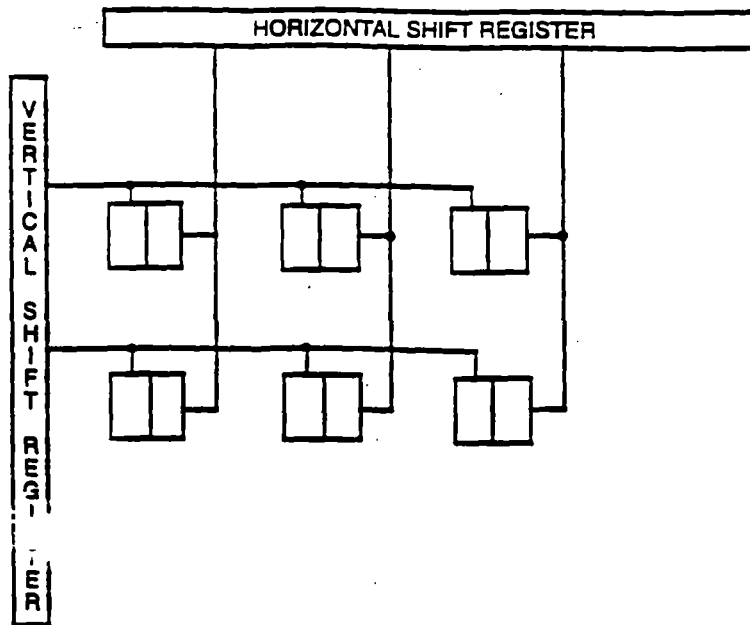


FIGURE 11. CHARGE INJECTION DEVICE SENSOR (CID SENSOR)

FOUR STATES OF THE CID PIXEL

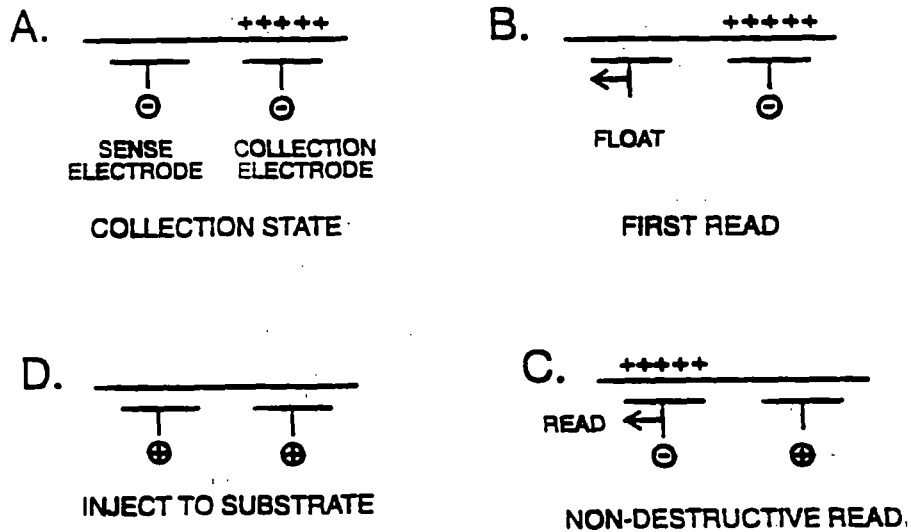


FIGURE 12. CID SENSOR PIXEL MODES

fill factor of 35%. These focusing micro-lenses increase light gathering ability and reduce aliasing (figure 10b). Depending on the quality of the lens and precise placement, fill factor is raised to 70% or more, and the light falling on the sensor is increased by a factor of two (6dB, 1-f stop).

Low Dark Signal and wide dynamic range make this technology a good candidate for integration. Integration is extending the time that photons strike the pixels to longer than the standard 16.6ms. This mode requires the target to be stationary, or the image will be blurred. The longer the integration time the greater the charge build-up on the pixels, and increasing the ability to image in low light. Sensitivity increases by a factor of two when the field integration period is doubled (i.e., 2, 4, 8, 16 fields). Pixel non-uniformities will be exaggerated as integration time increases. A fixed pattern noise will eventually appear at the output. It shows on the monitor as a "starfield" pattern (like looking through a telescope at the stars). The amount of noise will be partially dependent on ambient temperature. Cooling the sensor extends integration without this artifact. Imaging still objects provides sensitivities equal to or greater than intensified cameras with this CCD technology.

Sony ICX-038.

Total Pixels: 811(H) x 508(V)

Active Pixels: 768(H) x 494(V)

Cell Size: 8.4 μ m(H) x 9.8 μ m(V)

1/2" format 8.4(H) x 768 = 6.4mm 494(V) x 9.8 = 4.8mm

Dark Signal 2mV @ 60 ° C

Dynamic Range: 80dB

Typical Interline Transfer Camera Cost: \$800

CID-CHARGE INJECTION DEVICE

CID imagers were developed in the early 1970's by General Electric for Aerospace applications. The development focused on two features that were not available with standard CCD's: addressable pixels and non-destructive readout.

The CID imager allows the user to select individual pixels by accessing row and column electrodes (a simple X-Y address; figure 11). The pixel value can be read non-destructively because the charge is not shifted out. These two unique features separate the CID imager from other sensor technologies.

Non-destructive read is achieved when the charge potential is shifted between the electrodes of two capacitors of a single pixel. The difference between the two potentials is representative of the stored signal charge. The sensed potential is converted to a voltage for readout as opposed to shifting a charge packet into a transfer register.

Photons striking the silicon of the collection electrode will accumulate holes during the integration period (figure 12a). To determine the amount of charge accumulated the pixel is "read." The sense electrode is allowed to float, the collection electrode is supplied a negative, then the potential is read (12b). Next a negative potential is supplied to the sense

electrode and a positive potential to the collection electrode (12c). The accumulated charge packet of holes will shift to the sense electrode where another read is performed. The difference in the two potentials represents the voltage equivalent of the amount of light striking the pixel during the integration time.

The user or image processing algorithm makes a decision: either use this value and clear (12d) the pixel to prepare for a fresh integration period, or resume collection on top of the previous charge (12a). Clearing a pixel is accomplished by supplying a positive potential to both electrodes forcing the holes into the substrate (12d).

This unique feature provides the means to image very bright objects and dim areas within the same scene by reading the highlights before they saturate and allowing additional integration time for dim areas. CID chip technology has deeper pixel wells than Frame or Interline Transfer (typically 300,000 vs. 80,000 electrons, respectively), thus providing wider dynamic range. The sensitivity of CID's is about half that of Frame or Interline devices.

Advantages. Near 100% fill factor, the entire active image area is sensitive to light. No separate storage register is required. There are no opaque areas on the imager. The isolation of each individual pixel and lack of transfer/storage registers provides greater resistance to blooming and smearing. Since the user controls the readout, the following reads are possible: progressive, partial area, or individual pixels. This can increase the information output rate if less than a full frame is desired. The fewer lines of readout desired the faster the update rate (non RS-170).

Asynchronous reset provides capture of fast events by operating the camera in the Charge Inject mode (not allowing a charge to build on the pixels). Switching to "collect" upon receipt of an input control pulse starts integration time. Objects entering the field of view randomly can be captured in the center of the frame. The external trigger can activate a strobe and/or transition the camera into collect mode.

CIDTEC 2710 RS-170.

Sensor Picture Elements: 776H x 512V

Active Picture Elements: 755H x 484V

Pixel size: 12.0 μ m x 12.7 μ m

Format: 2/3"

Typical CID Camera Cost: \$2,900

IMAGE FORMAT

The size of the sensor's active imaging area is defined as image format. The most widely available and economic sensors are 2/3", 1/2", and 1/3" RS-170 devices. CCTV sensors have an aspect ratio of 4 x 3, meaning that the ratio of horizontal width to vertical height is four to three, respectively.

Sensor engineering, manufacturing, and quality continuously improve. The smaller format imagers are fast becoming the norm. Smaller size allows higher yields and lower

COMBINATION OF CAMERA AND MONITOR GAMMA = 1.0

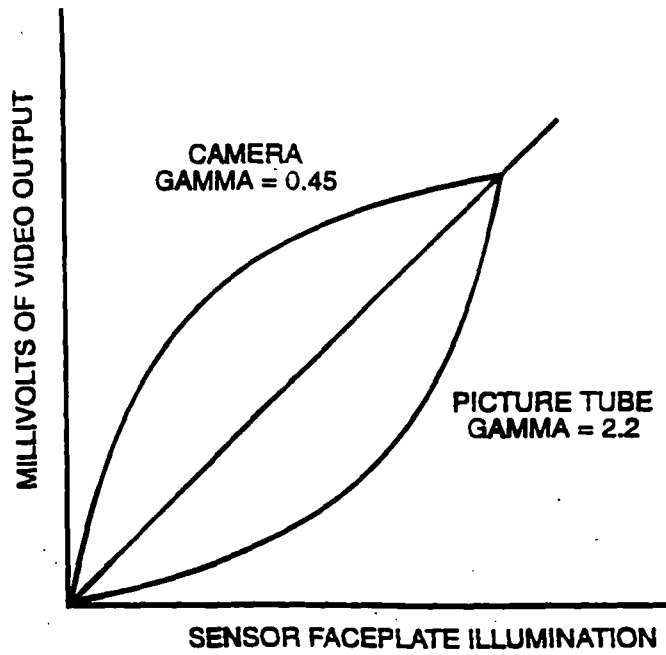


FIGURE 13. GAMMA CORRECTION

cost. Recent camera entries into the market with 1/2" and 1/3" imagers present equal resolution and comparable sensitivity at less cost. One might think that sensitivity must be lower due to the smaller pixel size. While it is true that less area means fewer photons, sensor manufacturers have compensated by adding additional gain on the sensor chip and incorporating micro-lens technology. When replacing existing cameras or seeking new solutions it is very likely that a smaller format sensor will be selected due to availability and price. Changing from a larger format to smaller and maintaining the same optics have the effect of magnifying the image.

The image format approach to identifying the size of the active image area began with tubes. The diameter was chosen as the specific identification criteria, typical tubes have diameters of 1", or 2/3". This designation was carried forward and applied to sensor chips. The following dimensions represent the aspect ratio of the three most common RS-170 image sensors:

2/3" sensor 6.6mm(V) x 8.8mm(H) x 11mm Diagonal

1/2" sensor 4.8mm(V) x 6.4mm(H) x 8mm Diagonal

1/3" sensor 3.6mm(V) x 4.8mm(H) x 6mm Diagonal

MECHANICAL INTERFACE

Standard CCTV cameras are equipped with C-Mounts (specific thread and pitch) for attachment of CCTV lenses. Lenses are available from a variety of manufacturers with the thread type defined as C-Mount. Microscopes with trinocular ports also have C adapters. Recently, CS-mount lenses have been introduced in tandem with camera manufacturers' new 1/2" and 1/3" format sensors. The difference between C and CS is the back focal distance. Back Focal is the distance between the center of the rear lens element and the sensor image plane. C lenses require a back focal length of 17.5mm; CS lenses only require 12.5mm, meaning that the CS type lens is mounted closer to the image array. This allows for using smaller and fewer optical elements, which in turn results in smaller mechanical size and lower cost. Optically the quality of better CS lenses is equal to C lenses. Apertures are proportionally smaller and the lens uses fewer elements. Light transmission is equal to, or better than C type.

GAMMA

Gamma correction is a result of non-linear phosphor coating on picture tubes. Picture tubes consistently compress black signals and stretch whites. Gamma defines the slope of the curve representing the difference between linear input and actual output. The sensor is a linear output device. If the camera is viewing a scene that changes linearly from left to right (with left representing black and right representing white), the display of this information on the monitor will appear as a slope of a curve that is shallow in the dark region and steep in the white areas (figure 13). For a given increase in illumination, a corresponding linear increase in millivolts is generated at the output of the sensor. The picture tube (monitor) will not accurately represent this information. During the infancy (1950's) of television it was decided to incorporate gamma correction into the camera since at that time far fewer cameras existed than monitors. Today gamma correction still resides in the camera.

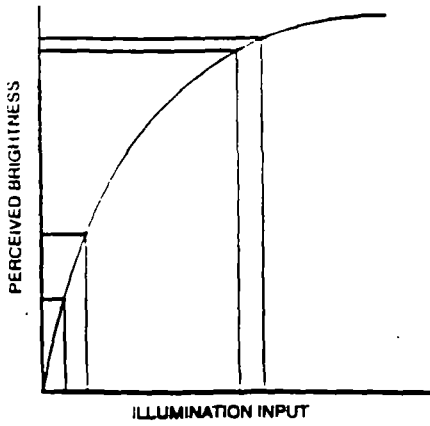


FIGURE 14. LOGARITHMIC RESPONSE
HUMAN EYE

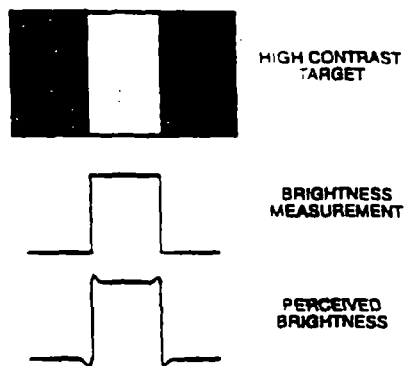


FIGURE 15. HUMAN EYE EDGE DETECTION

When desiring to view the output of a camera directly on a monitor, a gamma of 0.45 is selected. This will stretch the black and compress the whites. Since monitor picture tubes have a gamma factor of approximately 2.2, applying the camera correction of 0.45 yields a linear ratio ($2.2 \times 0.45 = 1$).

Measurement applications, inputs to frame grabbers, and image processing require the camera be operated in a gamma of 1.0, providing a linear output.

HUMAN EYE RESPONSE

The response of the human eye to illumination is also not linear. It is actually a logarithmic response, where the steepness of the curve is greatest in the darker regions (figure 14). The curve flattens out in the white region. This makes incremental changes of the same magnitude easy to identify in the black area and difficult in the white region. By darkening images, we increase our ability to discern contrast changes.

Another anomaly of the human visual system is the apparent sharpening of edges. An edge enhancement mechanism is built into our human imaging system. Viewing black and white rectangles placed horizontally in a row, the white areas appear to be whiter just prior to the transition to black (figure 15). Equally, it would appear as if the black areas become a little blacker just before transition to white.

Camera circuits can be altered to provide a similar sharpening of edges. Most cameras include a filtering operation to smooth pixel-to-pixel transitions. Changing the filter's parameters creates sharpness at the expense of adding ringing (Oscillations).

RESOLUTION

The ability of a sensor to reproduce the detail of a viewed image is called resolution. Vertical line resolution is 485 for a 525-line raster. This is the total number of active video lines. When reading the image on a monitor using the EIA test chart or another wedge pattern, historical experimental research has led to a kell factor of 0.7 times the active lines equal to vertical resolution on the monitor. Thus vertical resolution displayed on a monitor is 350TVL (485×0.7) for RS-170 525-line systems.

A limitation to reproducing an image spatially is stated as the Nyquist Sampling Theory. To clearly resolve a given frequency, the sample rate must be a minimum of two times the frequency being sampled. Aliasing occurs if the sample rate is less than twice the original signal frequency to be imaged.

Modulation Transfer Function. Modulation transfer function represents the contrast between black and white information at differing resolutions. When the camera is viewing a black and white target with a converging wedge pattern, the lower resolution detail will be presented as having a much higher modulation (figure 16). Higher resolution details appear as only slight changes in gray level at the limiting resolution of the sensor. Camera circuit rise time and bandwidth limitation create this condition.

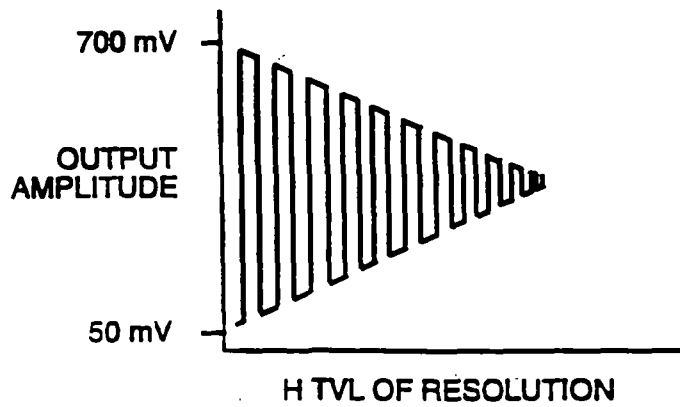
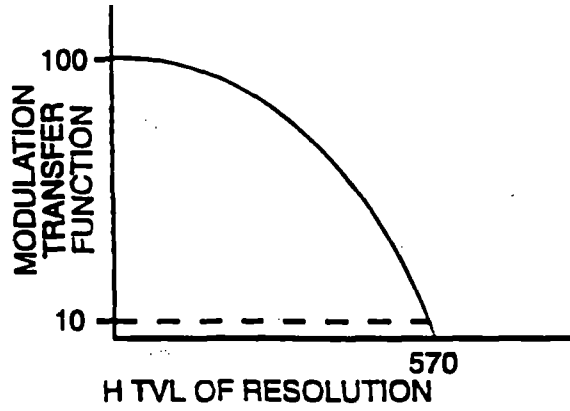


FIGURE 16. MODULATION TRANSFER FUNCTION (MTF)

Horizontal Resolution. Horizontal resolution is the number of black and white lines that are discernible across a video line equal to the height of the raster. Each line is counted, as opposed to line pairs which are used in photography and image intensifiers.

To find pixel resolution:

$$\text{Number of Pixels} \times \frac{3H}{4W} = \text{Resolution per picture height}$$

To find line pairs per millimeter:

$$\text{Lp/mm} = \frac{\text{HTVL}}{2} \times \frac{4}{3} \times \frac{1}{\text{PW}}$$

H= height

W= Width

HTVL= horizontal TV lines

PW= picture width

Resolution can also be directly read off a monitor when the camera is focused onto an EIA resolution test pattern. Attention needs to be paid to the variables associated with the system to ensure the result is not limited by another system component (e.g., monitor, lens).

The greater the horizontal detail or number of pixels, the faster the clock speed required if RS-170 timing is maintained and higher resolution is desired. The total number of horizontal pixels clocked out during the active video time (52 μ s) for a 768-element sensor equates to a pixel clock frequency of 14Mhz.

$$\frac{52\mu\text{s}}{768 \text{ Pixels}} = 67\text{ns/pixel}$$

$$\frac{1}{67\text{ns}} = 14\text{Mhz}$$

Higher resolution cameras (1134 H-pixels) operating at the RS-170 line rate increase the pixel clock frequency:

$$\frac{52\mu\text{s}}{1134 \text{ Pixels}} = 45.8\text{ns/pixel}$$

$$\frac{1}{45.8\text{ns}} = 21\text{Mhz}$$

ANALOG TO DIGITAL

An RS-170 signal input to an A-D converter is sampled or chopped into segments, each one representing a specific location on the original sensor array. A phase locked loop is used by the frame grabbing device to arrive at a close approximation of pixel spatial location. Some pixel jitter or uncertainty is inherent in this process. Using the camera pixel clock achieves a better result. Each sample or pixel is given a brightness value based on the

number of bits, where 8-bit depth equals 256 shades of gray.

The Nyquist sampling theorem again applies. To fully represent the rate of brightness change in the original image we must sample at a rate at least two times the highest spatial frequency. This ensures a re-creation of the detail.

Aliasing is the erroneous representation of high frequency information from the original image. Aliasing occurs when scene details have a spatial frequency greater than half the sampling frequency. If under sampling is happening, the result is transference of the high frequency information to a lower frequency which appears as a moiré pattern.

APPLICATIONS OF VIDEO CAMERAS

Laser Profiling, Interferometry, Tracking, Medical, Scientific, Inspection, Microscopy, Semiconductor processing.

FUTURE POSSIBILITIES FOR VIDEO CAMERAS

Active Pixel Sensors, down-scaling format, image processing in the camera, alternative formats, HDTV, Digital output, camera on a chip.

Bibliography

- Baxes, Gregory. Introduction to Image Processing. Cascade. 1984.
- Bower Frank. CCD's: How to Use Them. Photonics Design and applications Handbook 1988.
- Fields, Robert and M. Bonner Denton. Array Detectors Expand Atomic Spectroscopy. Laser Focus World. March 1992: 107-113.
- Fossum, Eric. Active-Pixel Sensors Challenge CCDs. Laser Focus World, June 1993.
- High-Technology Television. Visual Information Institute. Xenia, Ohio.
- McGinty, Gerald. Video Cameras: Theory and Servicing. Matsushita, 1984.
- Thorpe, Larry. Designers Struggle with S/N. TV Technology, Feb 1988.
- Thorpe, Laurence and Duane Dahlberg. On-chip Lens HyperHad Sensors for Increased CCD Sensitivity. Advanced Imaging, June 1991: 43-45.

SECURITY



Atlanta has decreased the amount of crime happening on their transit system with the help of security cameras.

Riding Atlanta's Rails in Safety

SUMMARY: Atlanta's commuter rails use video surveillance to help with customer service.

By Andy Maslowski

• **RIDERS OF THE MARTA** rail transit network in Atlanta have at least one extra level of safety, thanks to a surveillance camera system installed at its stations.

"Back in the mid-1970s, in the original design concept, it was decided that a camera system would be installed in the rail transit system," recalls MARTA police chief Gene Wilson. Since then, the Metropolitan Atlanta Rapid Transit Authority has put in more than 360 surveillance cameras, adding them as new stations are brought on line.

"On occasion, the cameras will help us with crime problems, but their primary function is as an aid to customer service," he says.

Cameras have been placed inside the paid areas of the stations, offering essentially full coverage. Each rail station has between 12 and 14 cameras, and these are monitored from one of five "zone centers."

Each zone center has about 95 monitors, and the operator who runs the cameras can start recording whenever he sees something unusual, or if he gets a request to do so from a "help phone," a handicap door access, a fare gate, or any other location he's alerted to.

Service is Our Business

The main advantage of the camera system is

customer service. As Wilson explains, "Many times it has proven itself helpful in controlling crowds on a waiting platform. If we see a potential problem building, we'll send a transit police officer to the spot. Once there, the officer will make sure the people don't get too close to the rail or the tracks."

Police officers and emergency crews are dispatched to a scene because of the cameras. In some cases, the cameras spot

workers who need help. But the cameras also serve as an effective deterrent to crime. This is true for serious crimes as well as for catching those who try to avoid paying their tokens at the fare gate.

The MARTA police force includes some 220 sworn officers, and this must also be factored in as a meaningful crime deterrent for the rail system.

The Best Equipment For the Job

The MARTA cameras are not recording all the time, but if the camera operators at the zone centers see something unusual, they hit the record button immediately. "We've looked at putting in an enhanced system, one that records continuously, but I don't know if we'll ever do that," Wilson says.

During the past decade, the MARTA system has relied heavily on surveillance equipment from Cohu's Electronics Division. The first cameras installed in 1985 were 5100 series tube models, including both fixed and zoom lenses. In 1990, more stations were added, so newer 4800 series cameras were added.

According to Laura Sallee, a Cohu applications engineer, the Cohu 5100 series is the predecessor of the 4800 series CCD cameras. "The 4800 series is ideal for applications that require both high resolution and high sensitivity."



The MARTA has put in more than 360 surveillance cameras.

SECURITY



Transit police officers benefit from the added assistance video gives.

ity," she says. "These cameras are installed at thousands of sites around the world, and support a wide range of security/surveillance and electronic imaging applications."

Specifically for the MARTA setup, the 4800 series works well because of the large areas covered by camera surveillance. They're placed in both indoor and outdoor locations, and each camera is encased in a sealed pressurized environment-resistant housing. Cohu 9-inch 9600 series monitors are used in the zone centers.

Atlanta has become one of the leading transportation centers in the U.S. In 1837, when the community was originally laid out, it was named Terminus, and it was set up to be the southern end of a proposed railroad from Chattanooga, Tennessee. By the time of the Civil War, it had been renamed Atlanta, and had a population some 15,000.

Of course it had become a major railroad hub. Because of its strong growth of businesses and city facilities, the city also has attracted many major conventions, including the National Association of Broadcasters (NAB).

Providing cameras for transportation centers is not new. But the sheer size and scope of the MARTA system has presented some unique security and surveillance challenges. These challenges continue to be met with the opening of every new station, keeping the flow of rapid rail passengers moving in and around the Atlanta metro area.

CONTACT: InfoCard #75, MARTA Public Information Office, (404) 848-5116, Laura Sallee, Cohu, 5755 Kearny Villa Road, San Diego, CA 92123; (619) 277-6700.

ENVIRONMENTAL CAMERAS FOR TRAFFIC SURVEILLANCE

by Tim Jones

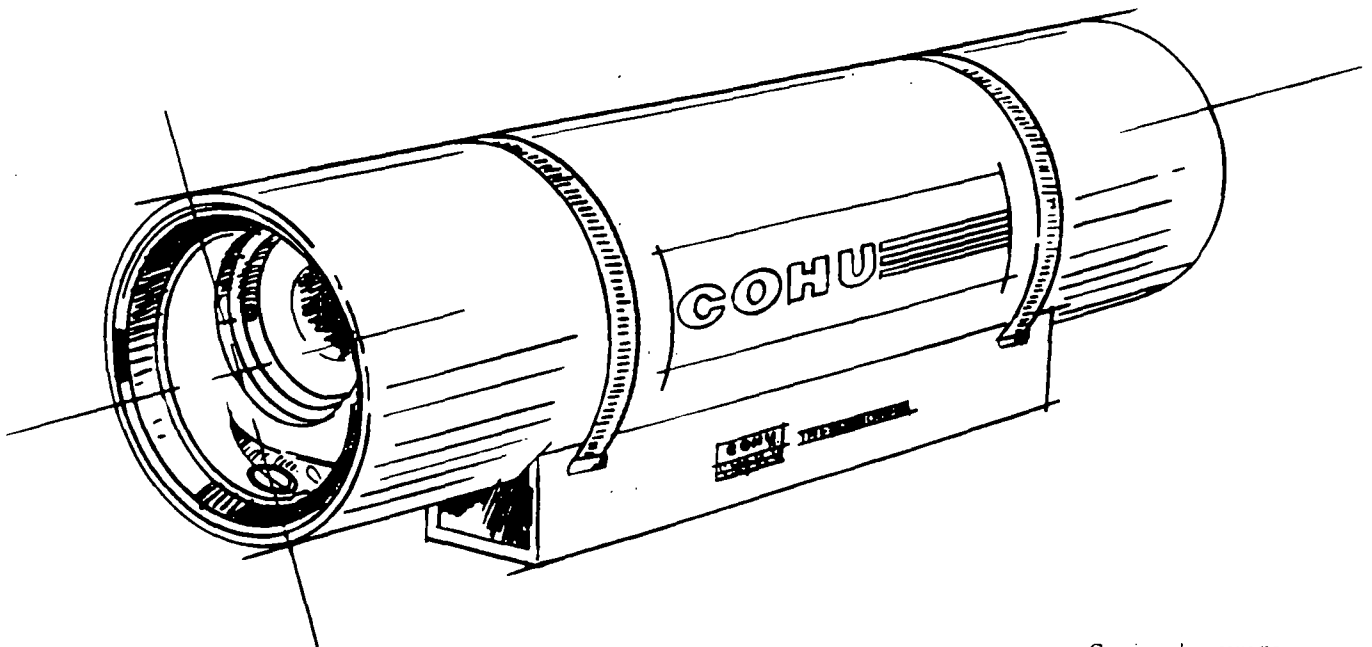
Senior Applications Engineer

Cohu Inc./Electronics Division, tends to use the "no nonsense" approach in supplying video for traffic applications.

One of the most unique features Cohu offers for the traffic industry is its variety of ruggedized camera enclosures. These rugged enclosures are sealed and pressurized, and are offered in either 3", 4.5" or 6" outside diameter. They are purged of oxygen and pressurized with 5 psi of dry nitrogen. Why take these measures? One word: reliability. This insures that the internal circuits of the camera and the lens remain free from contaminants, e.g.: humidity, salt, dust and debris normally associated with all traffic applications.

In addition to the controlled internal environment for the camera, Cohu installs desiccant bags to insure that no residual humidity is retained in the camera. The environmental enclosures can be equipped with thermostatically-controlled heaters and sunshields as a standard configuration. The lens offered in most traffic applications has an auto/manual iris that can be controlled at either the master or remote/local control receivers. Other options available include wiper/washer assemblies, low pressure alarm switches, fiber optics and 24-character programmable alphanumeric generators.

The environmental housing is made of aluminum and painted with a polyurethane paint as a standard.



Continued on reverse

The sealed camera enclosure is widely used throughout traffic surveillance systems and is especially useful in areas where humidity is high. By creating a controlled environment for cameras mounted in the great outdoors, the camera has an increased life which will decrease maintenance costs. *Cameras sealed in Cohu environmental housings simply cost less to maintain and are more reliable than those without the environmental housing.* The specific maintenance costs associated with non-environmental housings are: bucket truck rental, lane closures, and actual replacement costs of camera, lens, and associated hardware.

Cohu also features a local/remote Camera Control Receiver (CCR), designed specifically for use in the traffic market. The CCR is designed for installation in a 19" rack frame, (for use in Nema or 330-type enclosures) and is featured with several useful controls.

The CCR can interface with either RS-232 or RS-422 communications and features a local/remote control switch. The CCR is equipped with dual RS-232 ports for drop and insert applications. In the remote control mode the CCR will interface with the MPC Master Control Panel via RS-422 or a PC via RS-232 located at the Traffic Operations Center (TOC). In the local mode, the CCR can operate the camera pan/tilt from the site for maintenance, repair and local control when an incident occurs. This eliminates the need for two way radio communications to the TOC. The CCR includes a BNC video output on the front panel to allow a local operator to view a monitor while performing tests, as well as a rear BNC connection for standard system operation. In addition to the standard camera pan/tilt functions, the CCR can be easily modified for use with a variety of communication modems and specific system configurations to meet the particular needs of the customer. Additionally, fiber optics transceivers for communications and video can be added.

The MPC Master Control Panel will interface via RS-422 over shielded twisted pair to the CCR and will interface with a PC or various other equipment via RS-232. The MPC Master can control most brands of matrix switchers and will interface with several different graphic user interface modules. In a standard configuration the MPC Master Control Panel provides the communication "Back Bone" for up to 223 separate camera sites and 32 remote stations.

These are just a few of the many reasons Cohu has maintained a high standard of quality throughout the more than four decades of operation.

For more information call the Traffic Experts at Cohu or your nearest Cohu sales representative.

Image Sensors, the Input Device for Machine Vision Applications

**Joe Barrett
OEM Products Manager
Cohu Inc., Electronics Division**

ABSTRACT--Understanding the technology and capability of image sensors and video cameras allows identifying appropriate imager solutions for measurement applications. This paper examines area array CCD (RS-170) video camera technologies (Frame, Interline) from an operational viewpoint. Camera features (field vs. frame resolution, shuttering, integration, asynchronous reset) are presented in a non-engineering format.

INTRODUCTION

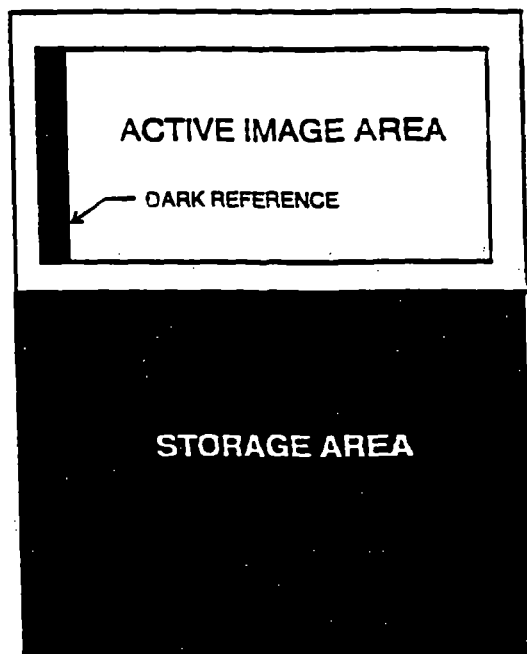
The application of video in measurement solutions increases yearly. Understanding the features and benefits associated with video cameras allows a user to select the best technology to achieve the desired result.

The goal of this paper is to deliver specific information on camera technologies that allows making an informed decision on integrating the camera into a vision system. Provided is a basic understanding of video cameras for Machine Vision measurement applications. Advantages/disadvantages of the different technology options will be addressed. Information is presented in an operational/applications perspective rather than a design/engineering format.

Topics covered include: Technology of area array image sensors, including operation of (Texas Instruments) Frame Transfer, and (Sony) Interline Transfer devices. Field/Frame Resolution, Integration, Asynchronous Reset, and Shuttering as applied to the differing sensor technologies.

BACKGROUND

CCD image sensors were developed in the early 1970's by Bell Laboratories. The technology has progressively improved, resulting in higher yields, better performance, and lower cost. During the mid 1980's solid state technology surpassed tubes as the primary means of acquiring video images for most applications. Better manufacturing methods and innovative designs are enhancing sensitivity, resolution, and improving signal-to-noise ratio.



**FIGURE 1. CCD SENSOR
FRAME TRANSFER**

The basic video system requires an illumination source, scene or object to view, lens, video camera, and monitor/image processing equipment. The scene is focused onto the imager by the lens, the CCD image sensor will convert photons of light to electrons, camera electronics process the image and add timing signals which are output to a monitor for viewing, or image processing system for analysis.

CCD IMAGE SENSORS

Definition. CCD's are two-dimensional fixed geometry area arrays of photosites. The array contains lines (242 to 485, typical) of pixels (picture elements). Each line contains 510 to 1K pixels, the greater the pixel count in each line, the higher the horizontal resolution. The greater the number of lines the higher the vertical resolution. RS-170 video standard limits the maximum number of active video lines to 485. The total number of lines for RS-170 is 525, yet only 485 contain image information, the balance of 40 lines are consumed with synchronization signals.

Each pixel converts light to an electrical charge. Photons striking the silicon pixel generate a charge proportional to the amount of light present during the integration period (16.6ms, typical). This potential is referred to as a charge packet. Sensitivity is a function of the number of photons striking the sensor, integration time, and the efficiency of the pixel to convert photons of light to electrons. This process is analog and yields a representative analog voltage output from the imager.

The difference between sensor technologies is determined by the method of construction, and the path by which the charge packets are transferred from the active array of the sensor chip to the camera circuits. The efficiency with which charge packets of electrons can be transferred (.99995) from pixel of origin to the output without loss makes this technology an excellent measurement device.

Timing. Clocking of the charge packets contained within the pixels is at a rate sufficient to read a line ($52.4\mu\text{s}$) of pixel information while maintaining RS-170 timing. The greater the number of pixels per line the higher the clock speed. (e.g., 768 horizontal pixels; $52.4\mu\text{s}/768 = 68.2\text{ns}/\text{pixel}$, or 14Mhz clock rate). The charge packets are clocked out of the sensor serially one pixel at a time, line by line. The camera circuits will merge the video information with synchronization signals, providing composite video (RS-170) to a monitor or frame grabber.

FRAME TRANSFER

RCA pioneered the development of the *Frame Transfer CCD* in the early 1980's. A Frame Transfer sensor contains two arrays of pixels (fig. 1), one for active imaging, and a second to store the field previously collected during the 16.6ms integration period. Both arrays contain the same number of pixels. The storage register is covered with an opaque material to prevent stray light from changing the contents of any individual pixel during storage or readout.

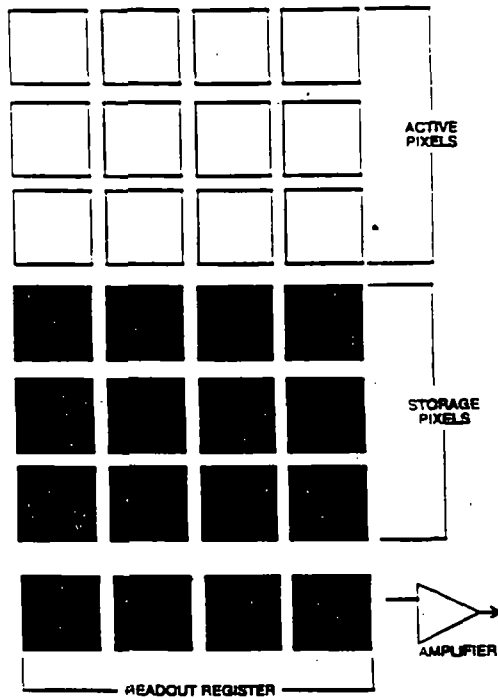


FIGURE 2. FRAME TRANSFER

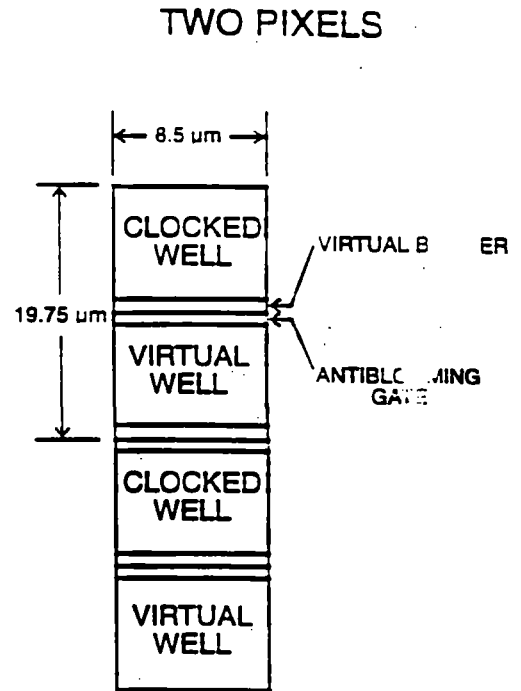


FIGURE 3. FRAME TRANSFER

SINGLE COLUMN OF PIXELS

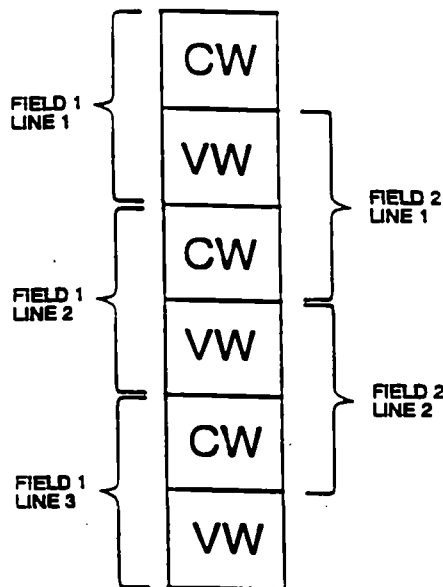


FIGURE 4. FRAME TRANSFER PSEUDO-INTERLACE

Several columns of pixels in the active image area are also covered with an opaque material. Referred to as "Dark Reference Pixels", their values are used by the camera to provide DC resoration by clamping the video line to a know level. This compensates for changes in temperature.

The name "Frame Transfer" seems to suggest that this technology provides complete frames (485 active video lines) each transfer or integration period. This is not true in many cases. The Texas Instruments TC-245¹ has only a field of video capacity on the active image array and storage register, thus full frame resolution will always contain two fields that are separated by a 16.6ms time separation. If the active image array and storage register could hold the full 485 lines of a frame, then two fields integrated over an identical period of time can be imaged onto the sensor, stored, and readout. Imagers that have the capability to transfer two fields at a time into a full frame storage register are available, yet, significantly more expensive.

Operation. As photons strike the silicon of the sensor pixels, a charge potential of electrons is accumulated in the pixel well. After 16.6ms (one field) of integration, a series of clocking pulses transfers the charge packets from the active register to the storage register (fig. 2). During the vertical interval the active array is used as a shift register, each row of charges moves vertically one line at a time from the active area into the storage register. Each line moves down sequentially until the entire field (242 lines of pixels) is contained in the storage register. The time required for this transfer is approximately 130 μ s (TC-245). When one image (field) is in the storage register, the next image (field) is being integrated onto the active array. The video information in the storage register is clocked to the horizontal readout register one line at a time, then moved out at the 14Mhz rate.

The Texas Instruments Frame Transfer chip contains 242 pixels in the vertical direction. This is equivalent to one field. Providing full-frame resolution necessitates an interesting solution called pseudo-interlace. A proprietary technology called Virtual Phase was developed by Texas Instruments to increase the vertical resolution without adding more rows of pixels to the array. Each pixel is composed of a Clocked Well and a Virtual Well (fig. 3). A Virtual Barrier provides separation between each pixel well to prevent bleedover. The Antiblooming Gate provides a means to discharge excess electrons, thus reducing saturation and blooming. The wells are both equally sensitive to light. The purpose behind two wells per pixel is to provide a means to divide the pixel in-half. Changing the bias voltage to the active image array shifts the center (centroid) by one-half pixel vertically (fig. 4) during alternate fields, thus it is possible to increase the vertical resolution and decrease aliasing (loss of detail due to under sampling). A fifty percent overlap exists vertically between the two fields. The positioning of a line of pixels is such that for field 1, lines 1, 2, and 3 are adjacent. The pixels used for field 2, line 1 use 50% of the pixel from field 1, line 1, and 50% of the pixel from field 1, line 2. This sequence repeats for the entire second field.

Shuttering. Photons of illumination are normally allowed to integrate on the image sensor for 16.6ms before transfer to the storage register. Shuttering decreases the integration period to either 1/1000sec (1ms), or 1/2000sec (500 μ s). This feature provides a stop action effect for objects in the field of view that are in motion. The shorter integration period also

FRAME TRANSFER

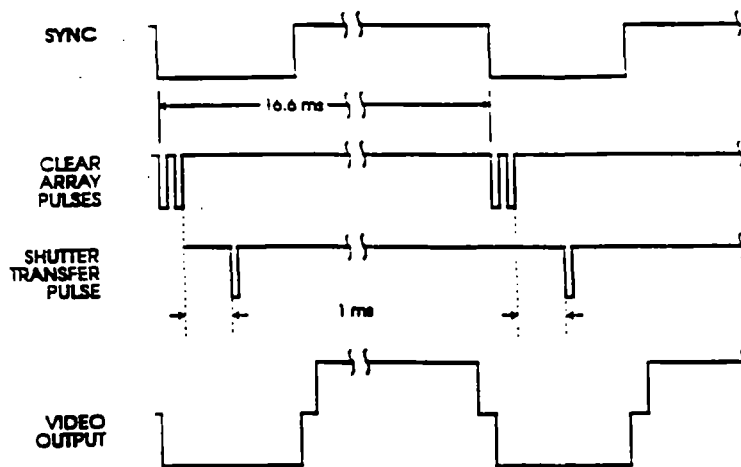
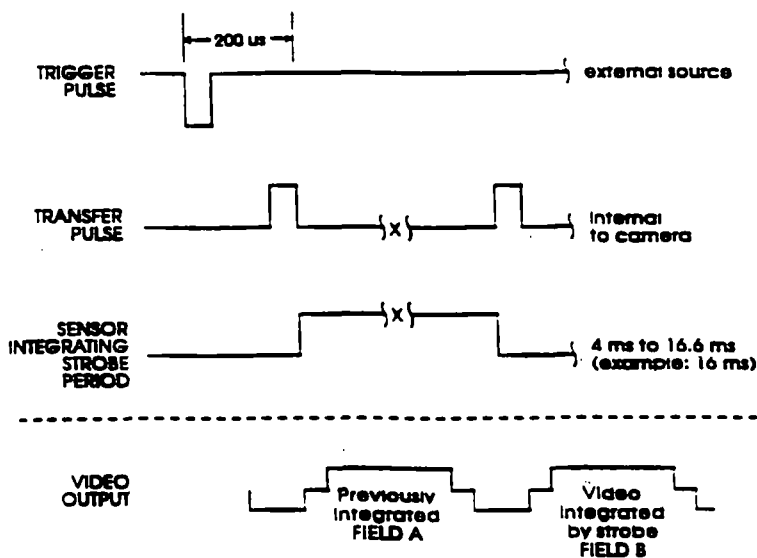


FIGURE 5. SHUTTER TIMING

FRAME TRANSFER



X = INTEGRATION PERIOD, ranges from 4 ms to 16.6 ms

Maximum triggering repetition rate = 240 hz

FIGURE 6. ASYNCHRONOUS RESET

decreases sensitivity; four f-stops for 1ms, and five f-stops for 500 μ s. Since each f-stop effectively cuts the electron accumulation in-half, shuttering may require additional illumination.

Timing. Achieving an electronic shuttering effect on the image sensor requires additional pulses. No mechanical device is used to stop light from reaching the sensor, thus a way must be provided to clear the sensor of undesired charge accumulation. This is accomplished with Clear Pulses (fig. 5). Two clear pulses in rapid succession initiate transfer of the image accumulated on the active array to the storage register. The first pulse shifts an undesirable image that has accumulated for the previous 15ms. The second pulse, a few microseconds later ensures the array is emptied of any residual accumulated charge. Then the sensor is allowed to integrate for the desired 1ms, or 500 μ s period. A transfer pulse initiates the movement of the captured video image into the storage register for readout.

Asynchronous Reset² (option). Allows external control of the vertical interval by supplying a trigger pulse from another source to synchronize the camera to external events. Upon receipt of the trigger pulse (fig. 6); the vertical interval is initiated, and the previously accumulated charge on the active array will be transferred to the storage register within 200 μ s. This field of information will contain an image that integrated on the sensor immediately prior to receiving the trigger. The duration of integration on field A will be random (the trigger pulse can occur anytime during the vertical period), resulting in an unpredictable output. Thus, field A is not used. After the 200 μ s period, the active array is now ready to integrate the desired image by strobing the subject. Integration on the array will continue until the next vertical sync pulse (16.6ms), or next reset pulse, whichever occurs first. Then the camera's internal transfer pulse will move the information to the storage register and begin readout. If the repetition rate of the trigger pulses is increased, the vertical pixel count will decrease.

Examples:

60Hz = 242 vertical lines
120Hz = 121 vertical lines
240Hz = 61 vertical Lines

The readout from the storage register is limited to a fixed RS-170 rate, thus increasing the frequency of the trigger pulses will not allow sufficient time to read the entire field out of the storage register before the next image is clocked from the active array to the storage register.

Advantages. Frame Transfer technology exhibits contiguous pixels (near 100% fill factor). Fill factor is the ratio of active image area to total image area on the surface of the sensor. Each pixel attaches to its neighbor vertically to facilitate the transfer process. Thin channel stops (barriers) separate each column of pixels to reduce bleed over. Large pixel size increases sensitivity.

The spectral response ranges from 250nm (UV) with the faceplate removed, through the

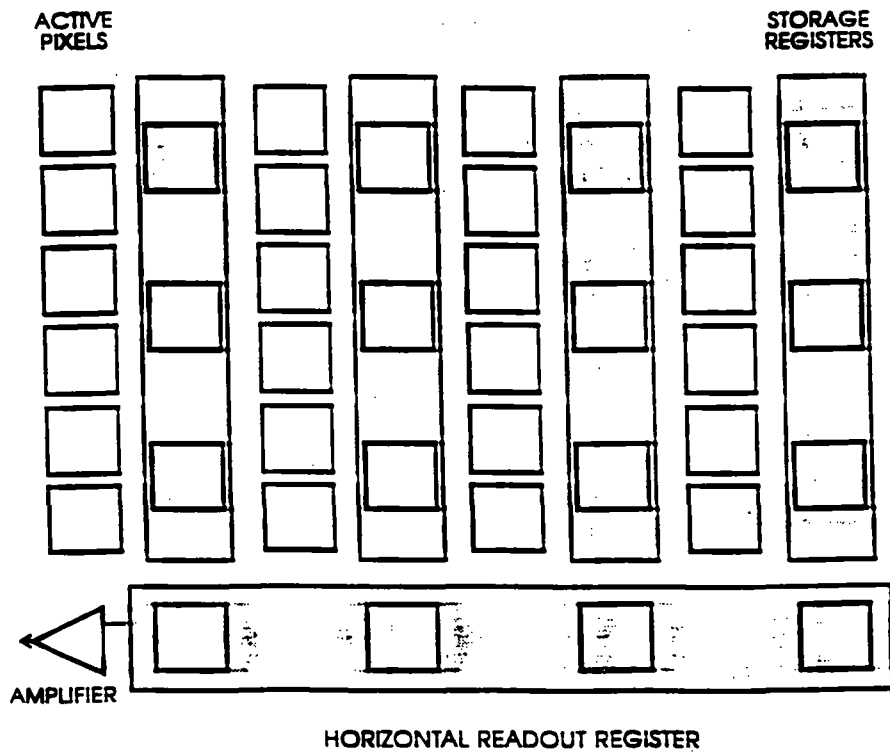


FIGURE 7. CCD SENSOR INTERLINE TRANSFER

photopic (visible) to a peak at 800nm, and extending into the near infrared (IR) region upto 1100nm. Frame Transfer sensors incorporate a thicker surface substrate on each pixel. The infrared wavelengths of light penetrate deeper into the silicon and are still within the well of the pixel generating electrons proportional to the photon input. The same IR input to an interline device will pass completely through the thinner Interline technology without registering a signal.

This sensor can be operated in the non-interlaced mode. The same pixels (no Virtual Phase shift) are used for each field. The sensor exhibits 50% less noise, and 50% less vertical resolution in this mode. Measurement repeatability is then directly tied to the same pixels.

Disadvantage. When bright highlights are present, or a pin-point source light is impinging on a single pixel location or cluster of pixels, then as each line of pixels moves through the bright point during transfer, the value of that pixel will be altered. In an extreme case, streaking appears as a white vertical line on the monitor. Possible solutions are to inhibit imaging during transfer time with a mechanical shutter, or controlled lighting of the target.

Frame Transfer Sensor: TC-245.

Picture Elements: 768(H) x 242(V)

Active Picture Elements: 755(H) x 242(V)

Pixel Size: 8.5 μ m(H) x 19.75 μ m(V)

Dynamic Range: 50dB

1/2" Format: 8.5 μ (H) x 755 = 6.4mm, 19.75 μ (V) x 242 = 4.8mm

Dark Signal: 6mV @ 45°C

Typical Frame Transfer Camera Cost:

Remote Head (Cohu 6410) \$2,300. Self-contained (Cohu 4810) \$1,500.

INTERLINE TRANSFER CCD

An initial goal in designing the *Interline Transfer CCD* technology was to solve an inherent difficulty of Frame Transfer technology, streaking, which is caused by the combination of bright point-sources of light and the method of transferring the charge packets of electrons from the active array to the storage register one line at a time.

Operation. The Interline Transfer sensor presents a different approach to pixel design, transfer, and storage of the video information. The sensors active pixel area and storage register are both contained within the active imaging area (fig. 7). Active imaging pixels are not used as transfer pixels as was the case with Frame Transfer technology. The active array of this device contains a full frame of pixels, 485 (Sony ICX-038³). On the imager, each column of pixels is separated by a column of storage elements that are covered with an opaque material. The storage elements have the capacity to hold only one field. Each two active vertical pixels share a single storage pixel. After completion of the 33.2ms integration time (frame mode), the charge packets from each pixel of a single field are transferred to the

ONE VERTICAL PERIOD

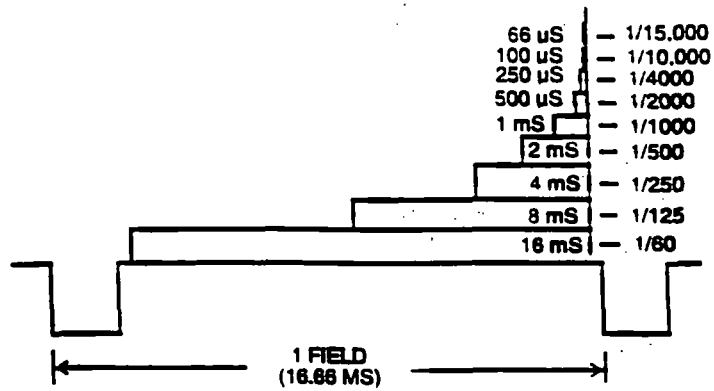


FIGURE 8. INTERLINE CCD SHUTTERING

storage register. While the next field is gathering charge, the charge packets in the storage register are clocked to a horizontal readout register one line at a time, and readout at a 28Mhz rate. The higher clock rate seems to suggest the information is moving-out faster. In fact this is not true, while the Frame Transfer unit is using a two phase clocking solution, the Interline is based on four phase clocking. Twice the clock rate as compared to Virtual Phase is required to accomplish the same task.

A sensor configured with a full frame of active pixels (485) in the light sensitive area and only a field (242) of capacity in the storage array reduces size, complexity, and cost. It also limits the ability to acquire full vertical resolution where both fields are captured during identical integration periods (possible using a strobe, or mechanical shutter).

The storage register is integral to the active image area. Thus the photon sensitive area of each pixel is smaller in size (relative to Frame Transfer). Less light is accumulated and a greater possibility of aliasing exists if a detail of information in the field of view falls upon the opaque area. The percentage of fill factor (active image area to total image area) is approximately 35%⁴. The spectral response peaks in the photopic area at 550nm and falls-off sharply (750nm) before reaching the near IR region.

Shuttering. The Sony ICX038 Interline design is shutterable at the pixel level. The Frame Transfer device required 130 μ s to clear the array. Interline clears the contents of each pixel in the active image array once every 63.5 μ s (during horizontal blanking). When shuttering, the active array is cleared each horizontal period until the time remaining in the field equals desired integration time (fig. 8), then shuttering ceases, and normal charge accumulation begins.

The shutter mode steps in increments. If the illumination is constant, each change cuts the charge accumulation by 50% as the integration period is halved. Shuttering is accomplished across its full range in 8 steps (1/60s to 1/10,000s). Modifying the camera to externally control the shutter circuit with a TTL pulse provides discrete steps at 242 levels, effectively stepping one line (H period) at a time.

A disadvantage of shuttering is the inability to obtain full frame (vertical) resolution. If two fields can be integrated during the same period, effectively stored, and then readout, true full frame resolution is achieved. Since the storage register is designed to hold only one field at a time, the information contained in the second field remains on the active array and is clocked into the substrate drain of the sensor at the beginning of the next field. Clearing the pixels happens across the entire array, not for selected fields, this is an example where inherent characteristics built into the sensor chip architecture drive the features that are available in cameras. Full vertical resolution and shuttering are mutually exclusive in this mode.

Asynchronous Reset. The interline chip can be asynchronously reset. A reset trigger input will initiate the vertical interval and transfer one field of the array 9.5 lines (614 μ s) later (fig. 9). If the illumination to the sensor is controlled and/or a strobe is used, it is possible to quickly capture and readout the image. Asynchronously resetting the sensor, and

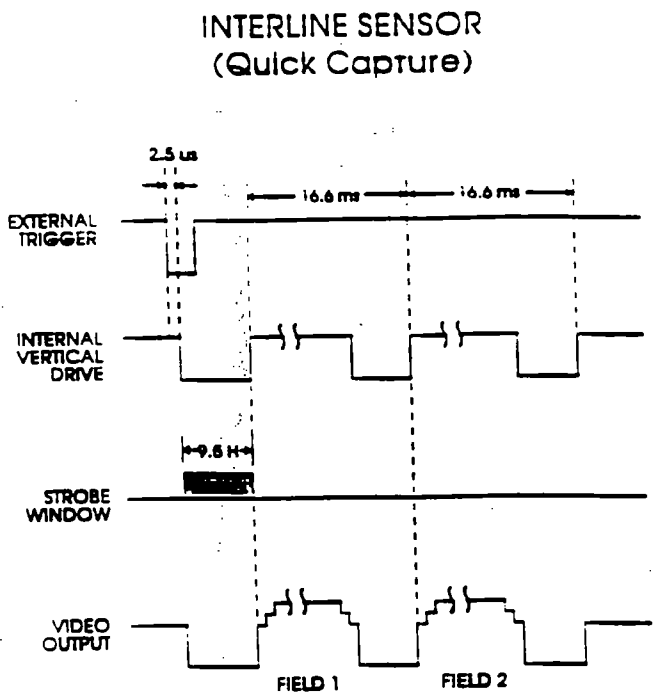


FIGURE 9. ASYNCHRONOUS RESET

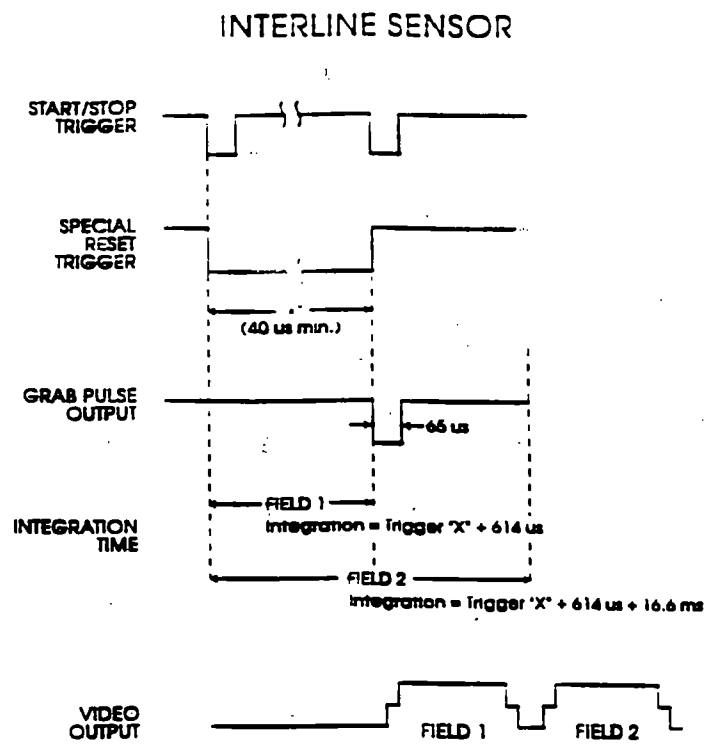


FIGURE 10. START/STOP RESET

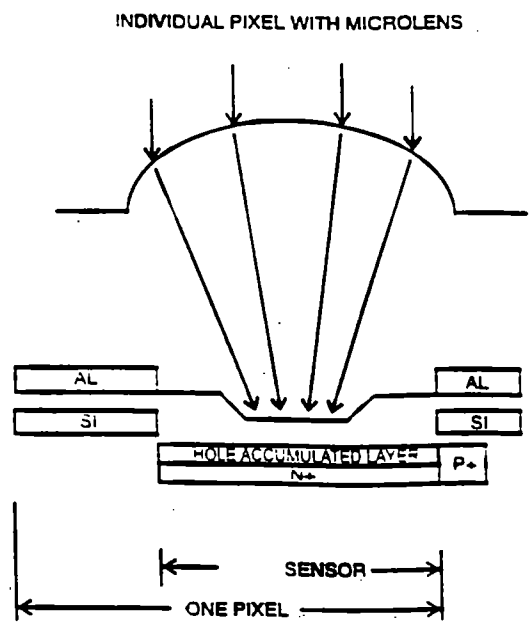


FIGURE 11. MICROLENS INTERLINE PIXEL

strobing in coincidence with reset, or before the transfer time (9.5 lines later), provides quick capture time to readout ($614\mu\text{s}$ -capture to 16.6ms-readout). The first field begins readout $614\mu\text{s}$ after reset and completes 16.6ms later. The second field, still on the active array, follows the first and begins readout, this operation takes an additional 16.6ms. Acquiring RS-170 full-frame (vertical) resolution requires 33.3ms. The quality of the image is dependent upon controlling the light source such that no illumination is impinging on the imager during the time the first field is being readout and the second field is awaiting transfer.

Start/Stop. An alternative to asynchronous operation is start-stop mode. Configuring the camera to electronically shutter each H-period, pixel charge accumulation will be dumped every $63.5\mu\text{s}$ (H-period) until an external control pulse is received. This pulse commands the shutter to cease, and begins active integration (fig. 10). The duration of integration is equal to the input pulse width, plus 9.5-H ($614\mu\text{s}$) lines. Field 1 will have integrated for the input pulse width "x", plus $614\mu\text{s}$. Field 2 has integrated for "x", plus $614\mu\text{s}$, plus 16.6ms. The reason field 2 has integrated for an additional vertical interval resides in the limitation of the storage register to hold only one field at a time. The storage register must be readout completely (16.6ms) before a transfer is initiated and field 2 is shifted from the active image area to the storage register. In this mode electronic shuttering is inhibited for one field after reset to avoid destroying the second field.

Sensitivity. A development by Sony Imager Group is the addition of micro-lenses placed above each pixel to focus the light onto the active portion of the sensor (fig. 11). Typical Interline Sensors have a fill factor of 35%. These focusing micro-lenses increase light gathering ability and reduce aliasing. The quality of the lens and precise placement, raise the fill factor to 70% or more, the light falling on the sensor is increased by a factor of two (6dB, 1-f stop).

Integration. Low noise and wide dynamic range make this technology a good candidate for extended integration. Extended integration increases the time that photons strike the pixels beyond the standard 16.6ms. This mode requires the target to be stationary, or the image will be blurred. The longer the integration time the greater the charge accumulation on the pixels, thus increasing the ability to image in lowlight. Sensitivity increases by a factor of two when the frame integration period is doubled (e.g., 2, 4, 8, 16 frames). Pixel non-uniformities will be exaggerated as integration time increases. A fixed pattern noise will eventually appear at the output as a "starfield" pattern (like looking through a telescope at the stars). The amount of noise will be partially dependent on ambient temperature. Cooling the sensor extends integration without this artifact. Imaging still objects provides sensitivities equal to or greater than intensified cameras with this CCD technology. Full vertical resolution is possible, the difference between the integration time of the first field and second field will always be 16.6ms. The second field will remain on the active image area for an additional vertical period awaiting transfer to the storage register. This difference becomes a progressively smaller percentage as integration time increases.

Example: 4 frame integration

field A = 4 x 33.2ms = 132.8ms

field B = 4 x 33.2ms + 16.6ms = 149.4ms, 12.5% longer.

Example: 30 frame integration

field A = 30 x 33.2ms = 996ms

field B = 30 x 33.2ms + 16.6ms = 1,012ms, 1.6% longer.

Advantages. Several advantages are offered with Interline technology. The transfer of charge packets from the active image pixels to the storage register happens in a fraction (6.5 μ s) of the time required by Frame Transfer, this lowers the probability of highlight smearing. Effective pixel to pixel isolation inhibits charges spilling over to adjacent pixels (perceived as blooming). Individual pixels have lower noise and a greater ability to gate away excess charge accumulation into the substrate, providing wider dynamic range. Shuttering at the pixel level allows faster shutter speeds and greater flexibility for imaging high-speed operations.

Interline Transfer: ICX-038.

Total Pixels: 811(H) x 508(V)

Active Pixels: 768(H) x 494(V)

Pixel Size: 8.4 μ m(H) x 9.8 μ m(V)

Dynamic Range: 56dB

1/2" format 8.4(H) x 768 = 6.4mm, 494(V) x 9.8 = 4.8mm

Dark Signal: 2mV @ 60 ° C

Typical Interline Transfer Camera Cost:

Remote Head (Cohu 4980) \$1,700. Self-contained (Cohu 4910) \$800

Feature Summary for Machine Vision Cameras

	Sensitivit lux	Asynchronous Field/Frame	Shuttering Fixed	Integration Field/Frame	cost \$ Bugetary
FT	0.3	Yes/No	to 1/2000	Yes/NO	\$1,500
IT	0.65	Yes/Yes	to 1/10,000	Yes/Yes	\$850

Key:

FT= Frame Transfer

IT= Interline Transfer

Reference

¹TC-245 Frame Transfer Data Sheet. Texas Instruments. December 1991.

²Schumacher, Peter. Async Application Note. Cohu, 1990.

³ICX038 Interline Transfer Data Sheet. Sony Semiconductor IC Data Book 1991.

⁴Thorpe, Laurence and Duane Dahlberg. On-chip lens HyperHad Sensors for Increased CCD Sensitivity. Advanced Imaging, June 1991: 43-45

Bibliography

Baxes, Gregory. Introduction to Image Processing. Cascade, 1984.

Inoué, Shinya. Video Microscopy. Plenum Press, 1989.

McGinty, Gerald. Video Cameras: Theory and Servicing. Matsushita, 1984.